

İÇİNDEKİLER / CONTENTS

- MAKİNA TANIM PLAKASI / *MACHINE IDENTIFICATION PLATE*
- ÖNSÖZ / *FOREWORD*
- YEDEK PARÇA KATALOĐU KULLANIMI / *USAGE OF SPARE PART CATALOGUE*
- YEDEK PARÇA MÜŞTERİ TALEBİ FORMU / *SPARE PART CUSTOMER ORDER*
- TEKNİK ÖZELLİKLER / *TECHNICAL SPECIFICATIONS*
- MAKİNAYI OLUŞTURAN BÖLÜMLER / *MACHINE COMPONENTS*

BÖLÜMLER / SECTIONS

- 1 – MOTOR / *ENGINE*
- 2 – ŞANZİMAN / *TRANSMISSION*
- 3 – ÖN DİNGİL / *FRONT AXLE (M542)*
- 3 – ÖN DİNGİL / *FRONT AXLE (M544)*
- 4 – ARKA DİNGİL / *REAR AXLE (M542)*
- 4 – ARKA DİNGİL / *REAR AXLE (M544)*
- 5 – YÜKLEYİCİ / *LOADER*
- 6 – KAZICI / *BACKHOE*
- 7 – ŞAŞİ – KAPORTA – TAMPON – KABİN – ELEKTRİK / *MAIN FRAME – HOOD – BUMPER – TYRE – WHELL – CABIN – ELECTRIC*
- 8 – HİDROLİK SİLİNDİRLER & KUMANDA – HORTUM SİSTEMLERİ / *HYDRAULIC RAMS & DISTRIBUTOR VALVE – HOSE SYSTEMS*

MST

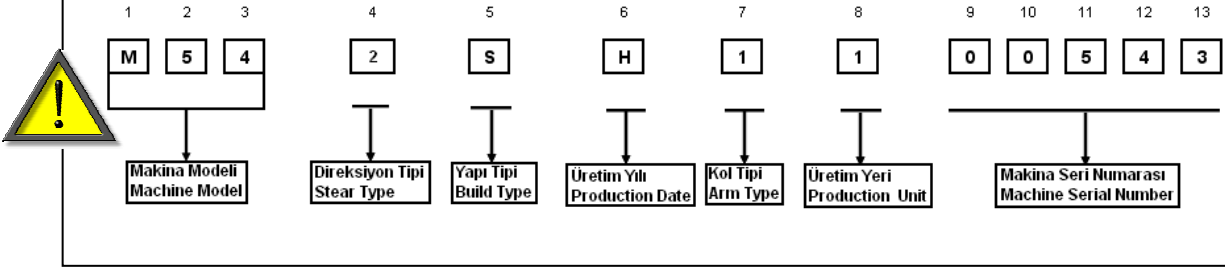


MAKİNA TANIM PLAKASI / MACHINE IDENTIFICATION PLATE



MST	CE
MODEL / MODEL	M542
ÜRÜN SERİ NO / PRODUCT IDENTIFICATION NUMBER	*M542SH1100543*
MOTOR GÜCÜ / ENGINE POWER kW	74.5
AĞIRLIK / WEIGHT kg	8500
İMAL / MODEL YILI YEAR OF MANUFACTURE / MODEL	2008 / 2008
GÜRÜLTÜ SEVİYESİ / NOISE LEVEL	84 dBA İç / Inside - 108 dBA Dış / Outside
SANKO MAKİNA SANAYİ VE TİCARET A.Ş. 4.Organize Sanayi - Şehitkamil / GAZİANTEP	Made In Turkey Müşteri Hizmetleri / Customer Line Tel: +90 216 453 04 00 mst@sankomakina.com.tr

MST KAZICI YÜKLEYİCİ ÜRÜN SERİ NO / MST BACKHOE LOADER IDENTIFICATION NUMBER



PREFACE

Dear MST Series Backhoe-Loader Owner,

Thank you for choosing MST Series Backhoe-Loader. This Spare Parts Catalogue is prepared for you to supply high quality parts on your demand during your ownership.

As all machines MST Series Backhoe-Loader designed to be operated within its limits. Use of Backhoe-Loader out of limits that are supplied in respective manuals may result in unwanted damages. On the other hand some parts may wear out by time.

This catalogue is crucial for fast and reliable service of spare parts for your machinery. Each part you order should define the same part by you and service center which is important that you get the right part at each time.

Wrong part coding, definition, limited information or reference related with your order from this "Spare Parts Catalogue" will result in time and money loss.

Please read the section "Directions for Parts Order" in the following pages and examine this catalogue in full detail before your order.

With our best wishes,

The logo for MST, consisting of the letters 'MST' in a bold, blue, italicized sans-serif font. The letters are outlined in white and have a slight shadow effect.



DIRECTIONS FOR PART ORDER

This Spare Parts Catalogue's aim is the correct order and timely supply of spare parts you need from our authorized service center.

This Spare Parts Catalogue is organized in 8 sections. 1-Engine, 2-Transmission, 3-Front Axle, 4-Rear Axle, 5-Loader Side, 6-Backhoe Side, 7-Chasis/Trunk/Bumper/Cab/Electrical Parts ve 8-Hydraulic Parts. In each section, pages are organized as Drawing of a group on the left and Parts list on the right page, so you can see both best at landscape orientation.

MST MS442
MS444
Yedek Parça Kataloğu
Spare Part Catalogue

5/001

SAĞFA NO
PAGE NO

5/001

SECTION/ PAGE NUMBER

GROUP DEFINITION

PART POSITION NUMBER

PART DRAWING

Detail 1
Spare Parts Catalogue
Group Drawing Page Sample

MST MS442
MS444
Yedek Parça Kataloğu
Spare Part Catalogue

5/002

SAĞFA NO
PAGE NO

5/002

NOTES

QUANTITY USED IN GROUP

PART DEFINITION

REFERENCE CODE

SPARE PART CODE

PART POSITION NUMBER

POS	YEDEK PARÇA KODU SPARE PART CODE	REFERANS KODU REFERENCE CODE	PARÇA TANIMI	DESCRIPTION	MİKTAR QTY.	NOT NOTE
1	5420401		AÇILIR KEPÇE ÖN GÖVDESİ	A. D. 1. FRONT BODY ASSEMBLY	1	
2	5420401		BÜKAK	BLADE	1	2400 x 200 x 20
3	5420402		KAZMA UÇLU DÜZ	TROUGH PLAIN	8	DÜZLEM
4	5420401		SÖĞERK	HAFT	16	98*100
5	5420403		ÇIVATA	DELİK	16	98*100 x 68 HAYSA BASLI
6	5420472		BLÜG ÇAKMA	RUSH	4	045 x 055 x 40
7	5420407		PİRİ	PIN	2	045 x 125 GRESÖRÜKLÜ DELİKLİ
8	5420450		ÇIVATA	DELİK	2	102 x 25
9	5420415		GRESÖRLÜK	GREASE NIPPLE	4	1/2" LİNE

Detail 2
Spare Parts Catalogue
Parts Detail List Page Sample



DON'T FORGET TO WRITE DOWN PART NUMBER, DEFINITON and ORDER QUANTITY IN YOUR ORDER



PLEASE INCLUDE THE FOLLOWING IN YOUR ORDER

- 1) Your Name and position,
- 2) Your Company Name,
- 3) Your Phone and Adress,
- 4) Machine Identification Number, Working Hours ,Model, Model Year
- 5) Part Number, Part Definition as in Parts Catalogue and Order Quantity,
- 6) If the Part you order is a part of Engine, Transmission or Axle, please include additionally the identification number on the unit plate in your order.

The correct and clear information above is crucial for timely service of parts to you.



Please contact with your local Dealer in your country to order spare parts.

SANKO <small>MAKINA SANAYI ve TICARET A.Ş.</small>		SPARE PART CUSTOMER ORDER		DATE	TIME
CUSTOMER DETAILS					
NAME		PHONE			
COMPANY		CELLUAR			
ADDRESS		FAX			
MACHINE DETAILS					
MODEL		WORKING HOURS			
MODEL YEAR					
MACHINE IDENTIFICATION					
SPARE PART DETAILS					
#	SPARE PART CODE	DESCRIPTION	TECHNICAL DETAIL	NUMBER OF UNIT	
1					
2					
3					
4					
5					
6					
7					
8					
9					
10					
SHIPPING ADDRESS			SPECIAL SHIPPING NOTES		



SSH/SF/006/00



IMPORTANT NOTE

To serve at our best, Please do not forget to write down the product identification number in your order sheet.



SPARE PART CUSTOMER ORDER

DATE

TIME

CUSTOMER DETAILS

NAME

PHONE

COMPANY

CELLUAR

ADDRESS

FAX

MACHINE DETAILS

MODEL

WORKING HOURS

MODEL YEAR

MACHINE
IDENTIFICATION

YEDEK PARÇALAR

#	SPARE PART CODE	DESCRIPTION	TECHNICAL DETAIL	NUMBER OF UNIT
1				
2				
3				
4				
5				
6				
7				
8				
9				
10				

SHIPPING ADDRESS

SPECIAL SHIPPING NOTES

SSH/SF/011/00



Technical Specifications

ENGINE

Manufacturer	:	PERKINS
Model	:	1104C-44T (Tier-2) "Euro II "
Gross Power	:	74.5 kW / 99 HP (ISO/TR 14396)
Displacement	:	4.4. lt.
Number of Cylinders	:	4
Bore Size	:	105 mm
Stroke	:	127 mm
Ignition System	:	Diesel Injection
Pressure Ratio	:	18.23:1
Rated Engine Revolution	:	2200 rpm
Cooling System	:	Water cooled
Air Filters	:	Dual element, two stages, dry type.
Cold Start	:	Pre heated

TRANSMISSION

Manufacturer	:	Carraro
Model	:	TLB2
Type	:	AUTO POWERSHIFT, Heavy Duty Type, 4 Forward , 4 rear automatic speeds
<ul style="list-style-type: none"> • The Heavy duty type Auto Power shift low speed gearbox with 4 forward/4 rear speeds provides high traction power under all conditions • The electrically driven speed selector provides speedy gear change capability desired speed and force for work. • The 2.64/1 ratio torque converter increases working capability of the machine. • Selecting 2 wheel drive or 4 wheel drive electrically. • Utilizes ECU system that electronically controls forward/rear drive and speed selection as to protect the gearbox from possible damages for selection of improper speed gears changes. 		

AXLES

Manufacturer	:	Carraro
Model (Front Axle)	:	26.22 SD
Model (Rear Axle)	:	28.43 M Limited Slip Differential (LSD)
Ratio (Front Axle)	:	12.40:1
Ratio (Rear Axle)	:	17.077:1
Oscillation Angle (Front Axle)	:	16°
<ul style="list-style-type: none"> • Heavy duty type epicycle rear axle with Limited Slip Differential (LSD) causes traction force to increase by transferring the present drive torque with a higher ratio. • Max-track torque ratio provides high traction power on front axle • There is Power Track rod steer piston on front axles. • The front axle has a 16° oscillation capability to secure on effective steering control even under most adverse terrain condition. 		

TYRES

Front Tire	:	12.5 / 80-18, 12 ply traction
Front Tire for M542 20"	:	16.0 / 70-20, 12 ply traction
Rear Tire	:	16.9/14 x 28, 12 ply, traction (Standard) 35 PSI

SPEEDS

Standard tyres (16.9 – 28) and engine at 2200 rpm

1. Speed	:	6.14 km/h
2. Speed	:	10.11 km/h
3. Speed	:	22.18 km/h
4. Speed	:	41.93 km/h

BRAKE SYSTEM

Oil cooled disc brakes provides the machine safely in all conditions.

Type	:	Oil cooled disc brakes with self adjust stroke
Disc Diameter	:	255 mm
Friction Area	:	26.207 mm ²

Technical Specifications

HYDRAULIC SYSTEM

The Model of Main Hydraulic Pump	:	Two staged, helical gear type
Maximum Pump Flow	:	154 lt./min. (engine at 2200 rpm)
Maximum Pump Pressure	:	250 bar

- The hydraulic system set up with "anti-shock" and "anti-cavity" valves.
- The unloader valve automatically regulates the main and the auxiliary pumps for needed flow.
- The hydraulic system contains a hydraulic fluid cooler with an automatic fan that can cool the fluid even under hot climate conditions.
- The oil filter on the hydraulic fluid return line can trap possible particles of 10 microns.
- The backhoe and loader control levers are suitably positioned as to provide the operator with ease of use.
- Built in Priority valve

ELECTRICAL SYSTEM

The engine is equipped with a 12V DC and 65A alternator, electrical starting motor and pre-heater for cold start. 135 Ah heavy-duty and low-maintenance type battery is provided.

MANOEUVRABILITY

Turning diameter (By bucket end)	:	10.94 m
Turning diameter (Wheel Truck)	:	8.30 m
Steering wheel travel	:	3¾ (Full revolution)

LOADER

Bucket capacity	:	1.2 m ³
Max. lifting capacity	:	3100 kg
Maximum Break-Out force (Bucket)	:	7232 kg
Maximum Break-Out force (Boom)	:	5758 kg

BACKHOE

- GGG 70 Sphero backhoe rotation unit
- Hydraulic skid lock.
- Box profiled skid balancing pedestal

Maximum Bucket Break-Off Power	:	5078 kg
Maximum Arm Breakout Force	:	3351 kg
Maximum Lifting Height	:	6228 kg
Maximum Digging Depth	:	5250 kg
Telescopic arm arrival distance	:	6770 mm
Turning ratio	:	180°
Side shifting Distance	:	1154 mm
Maximum Lifting capacity	:	2090 kg (Standard Boom) 1605 kg (Extended Boom)

CAPACITIES

Hydraulic System (Inc. Tank)	:	125 lt
Fuel Tank	:	125 lt
Engine Coolant	:	25.5 lt
Engine Oil	:	10 lt
Front Axle Differential Oil	:	8.5 lt
Rear Axle Differential Oil	:	13 lt
Front Ends	:	1.5 lt
Rear Ends	:	2 x 1.5 lt
Gear box	:	13 lt
Torque Converter	:	6.5 lt
Machine Weight	:	8500 kg

CABIN

The cab, possessing ROPS and FOPS protection systems, offers excellent vision by means of its wide windows. The floor, ceiling and rear mud guards are manufactured of mono-block unbreakable polyester.

A comfortable working environment in the cabin both in summer and in winter is secured thanks to the isolation material laid under the cab ceiling.

The cab has two doors, lockable both either from inside or outside.

Side and rear windows are so designed as can be opened fully.

Wide rear-view mirrors, interior lighting, vario-speed wipers for the wind shield and rear window, wind shield water spraying system, horn and rear gear warning siren, rotating beam on top.

Road and work lights

Two-stage heating system and ventilation system.

Engine rpm gauge, engine operating hour, engine coolant temperature and fuel amount can be monitored on the control panel on right side.

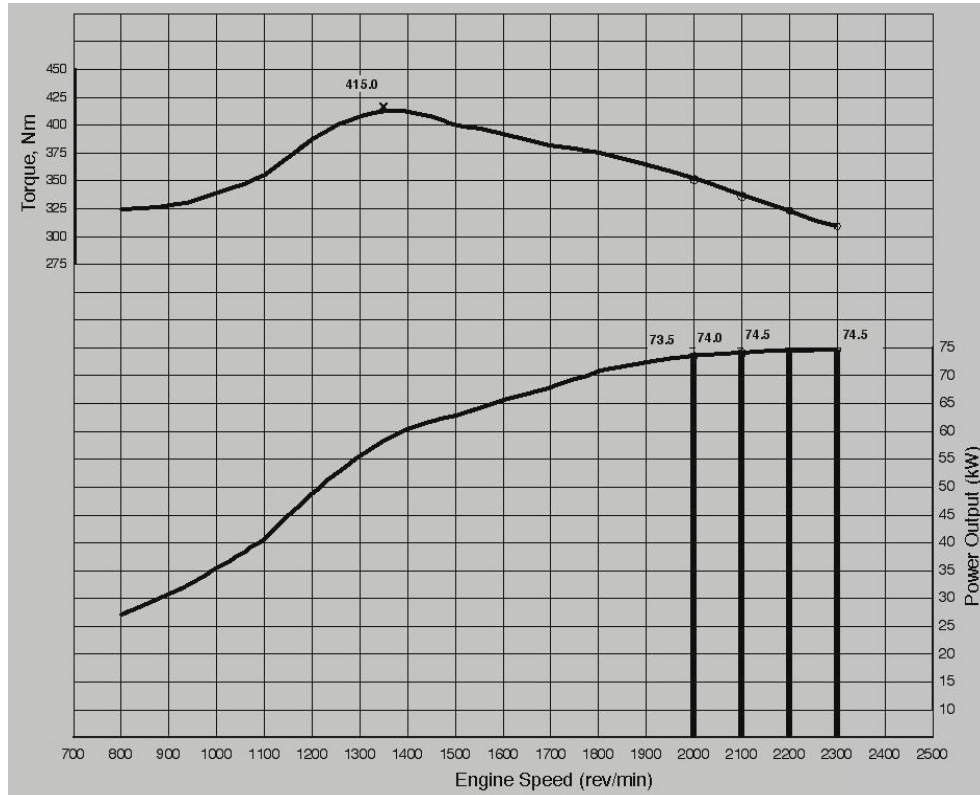
Audio and visual warning systems exist on the control panel for the status of charging, engine coolant temperature, engine oil pressure, engine oil temperature, differential oil pressure and air filter

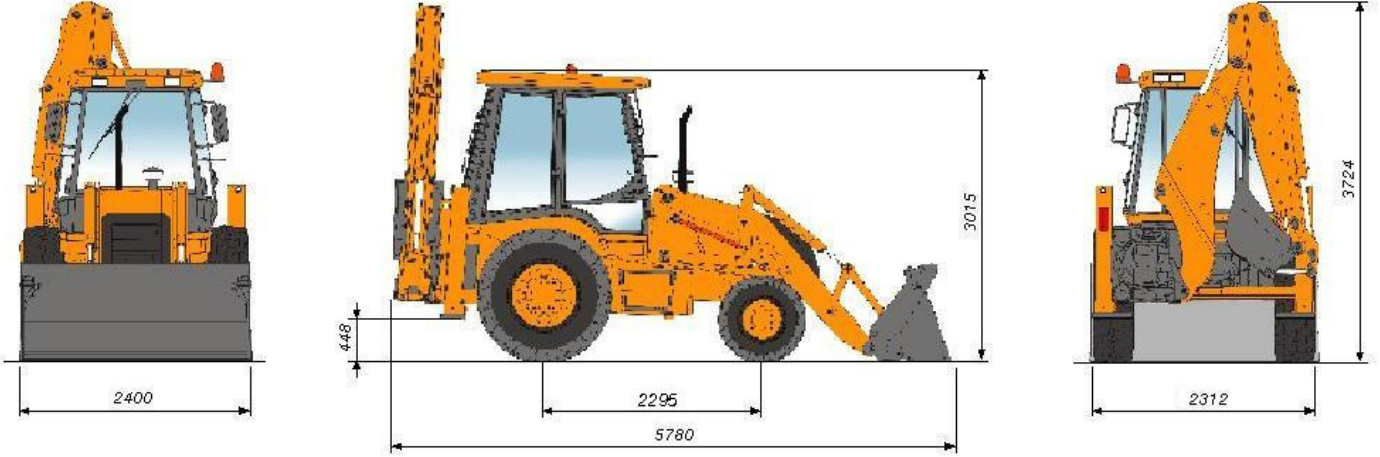
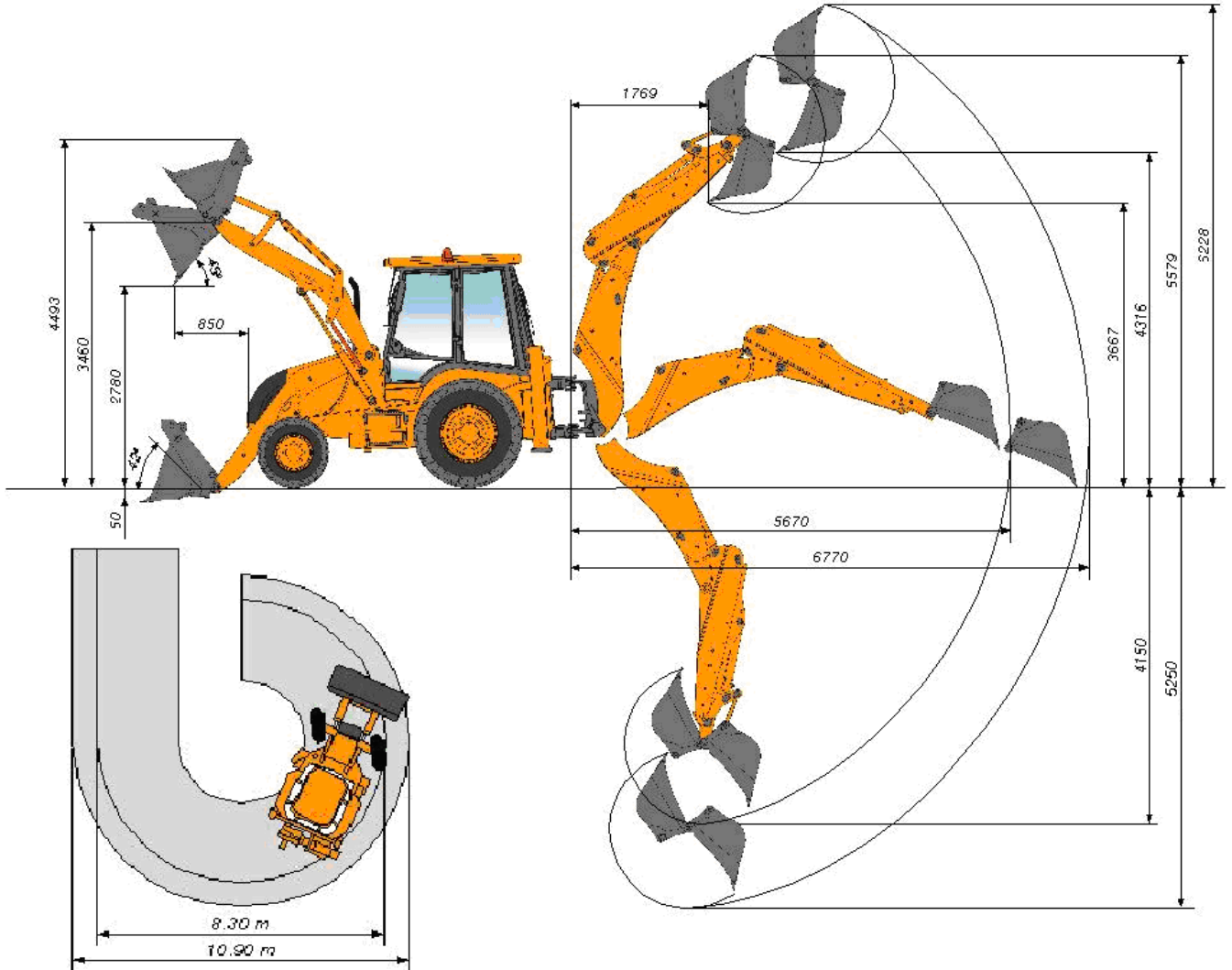
Anti-mist resistant heater for the rear window.

Continuously adjustable steering wheel rod in the forward-rearward directions.

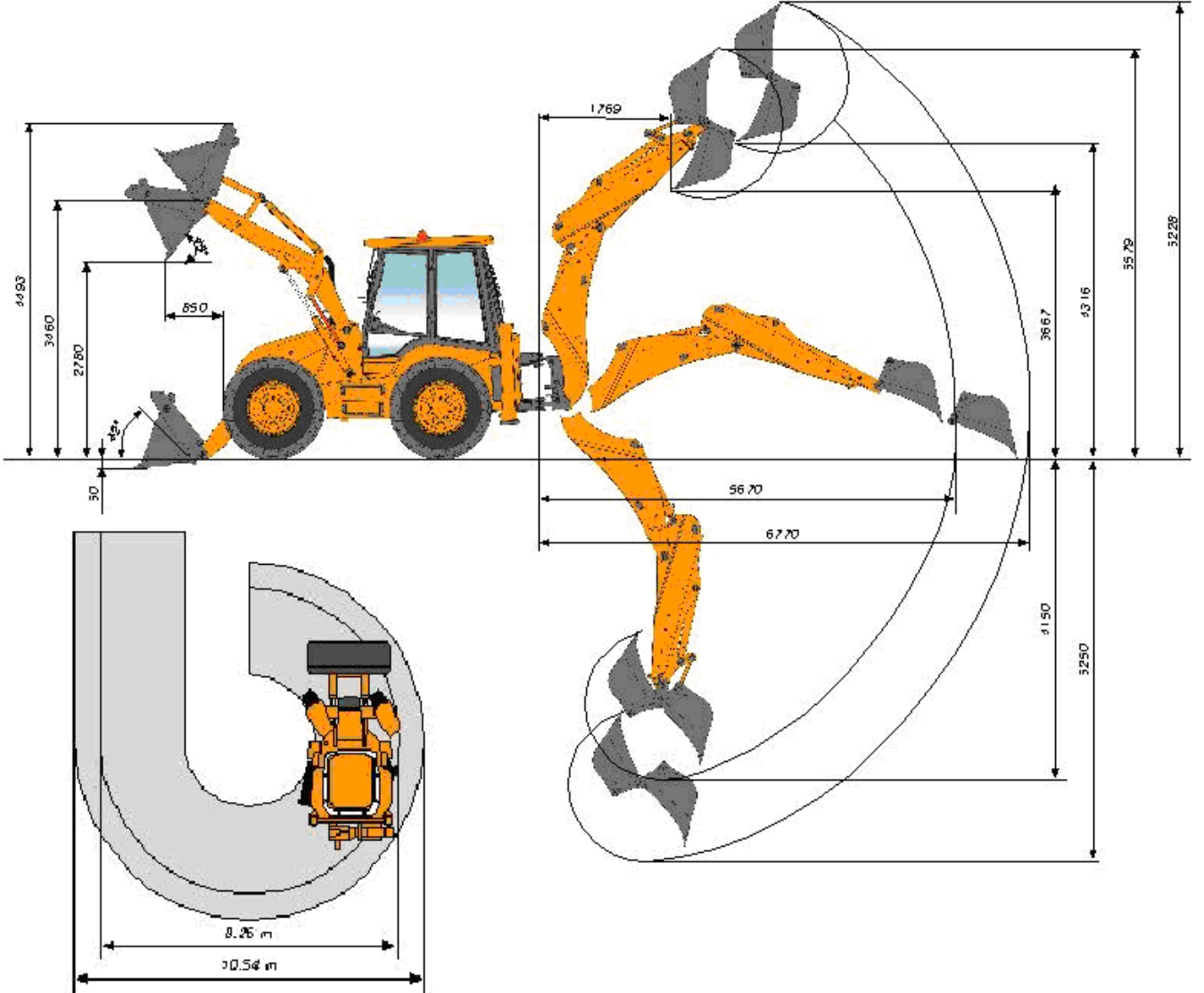
Operators seat that can swivel 360°, with forward and rearward and height adjustability besides various other capabilities, provides the operator with the most comfortable working position to offer utmost productivity over extended periods.

ENGINE DIAGRAM

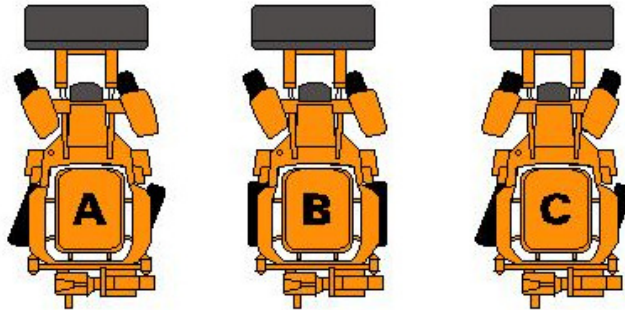


GENEL BOYUTLAR / GENERAL DIMENSIONS**KAZICI – YÜKLEYİCİ BOYUTLARI VE DÖNÜŞ DAİRESİ ÇAPLARI /
BACKHOE-LOADER DIMENSIONS AND TURNING DIAMETERS**

KAZICI – YÜKLEYİCİ BOYUTLARI VE DÖNÜŞ DAİRESİ ÇAPLARI



YÜRÜYÜŞ POZİSYONLARI



M544

Technical Specifications

ENGINE

Manufacturer	:	PERKINS
Model	:	1104C-44T (Tier-2) "Euro II "
Gross Power	:	74.5 kW / 99 HP (ISO/TR 14396)
Displacement	:	4.4. lt.
Number of Cylinders	:	4
Bore Size	:	105 mm
Stroke	:	127 mm
Ignition System	:	Diesel Injection
Pressure Ratio	:	18.23:1
Rated Engine	:	2200 rpm
Cooling System	:	Water cooled
Air Filters	:	Dual element, two stages, dry type.
Cold Start	:	Pre heated

TRANSMISSION

Manufacturer	:	Carraro
Model	:	TLB2
Type	:	AUTO POWERSHIFT, Heavy Duty Type, 4 Forward , 4 rear automatic speeds
<ul style="list-style-type: none"> The Heavy duty type Auto Power shift low speed gearbox with 4 forward/4 rear speeds provides high traction power under all conditions The electrically driven speed selector provides speedy gear change capability desired speed and force for work. The 2.64:1 ratio torque converter increases working capability of the machine. Selecting 2 wheel drive or 4 wheel drive electrically. Utilizes ECU system that electronically controls forward/rear drive and speed selection as to protect the gearbox from possible damages for selection of improper speed gears changes. 		

AXLES

Manufacturer	:	Carraro
Model (Front Axle)	:	26.43 SD
Model (Rear Axle)	:	26.43 M LSD (Limited Slip Differential)
Ratio (Front Axle)	:	17.077:1
Ratio (Rear Axle)	:	17.077:1
Oscillation Angle (Front Axle)	:	16°
<ul style="list-style-type: none"> Heavy duty type epicycle rear axle with Limited Slip Differential (LSD) causes traction force to increase by transferring the present drive torque with a higher ratio. Max-track torque ratio provides high traction power on front axle There is Power Track rod steer piston on front and rear axles. The front axle has a 16° oscillation capability to secure on effective steering control even under most adverse terrain condition. 		

TYRES

FRONT AND REAR TYRES	:	16.9/14x28, 12 ply, traction (Standard) 35 PSI
-----------------------------	---	--

SPEEDS

Standard tyres (16.9/14x28) and engine at 2200 rpm		
1. Speed	:	6.14 km/h
2. Speed	:	10.11 km/h
3. Speed	:	22.18 km/h
4. Speed	:	41.93 km/h

BRAKE SYSTEM

Oil cooled disc brakes provides the machine safely in all conditions.		
Type	:	Oil cooled disc brakes
Disc Diameter	:	255 mm
Friction Area	:	26.207 mm ²

M544

Technical Specifications

HYDRAULIC SYSTEM

The Model of Main Hydraulic Pump	:	Two staged, helical gear type
Maximum Pump Flow	:	154 lt./min. (engine at 2200 rpm)
Maximum Pump Pressure	:	250 bar

- The hydraulic system set up with "anti-shock" and "anti-cavity" valves.
- The unloader valve automatically regulates the main and the auxiliary pumps for needed flow.
- The hydraulic system contains a hydraulic fluid cooler with an automatic fan that can cool the fluid even under hot climate conditions.
- The magnetic oil filter on the hydraulic fluid return line can trap possible particles of 10 microns.
- The backhoe and loader control levers are suitably positioned as to provide the operator with ease of use.
- Built in Priority valve

ELECTRICAL SYSTEM

The engine is equipped with a 12V DC and 65A alternator, electrical starting motor and pre-heater for cold start. 135 Ah heavy-duty and low-maintenance type battery is provided.

MANOEUVRABILITY

Turning diameter (By bucket end)	:	10.54 m
Turning diameter (Wheel Truck)	:	8.26 m
Steering wheel travel	:	3¾ (Full Revolution)

LOADER

Bucket capacity	:	1.2 m ³
Max. lifting capacity	:	3100 kg
Maximum Break-Out force (Bucket)	:	7232 kg
Maximum Break-Out force (Boom)	:	5758 kg

BACKHOE

- GGG 70 Sphero backhoe rotation unit
- Hydraulic skid lock.
- Box profiled skid balancing pedestal

Maximum Bucket Break-Off Power	:	5078 kg
Maximum Arm Breakout Force	:	3351 kg
Maximum Lifting Height	:	6228 mm
Maximum Digging Depth	:	5250 mm
Telescopic arm arrival distance	:	6770 mm
Turning ratio	:	180°
Side shifting Distance	:	1154 mm
Maximum Lifting capacity	:	2090 kg (Standard Boom) 1605 kg (Extended Boom)

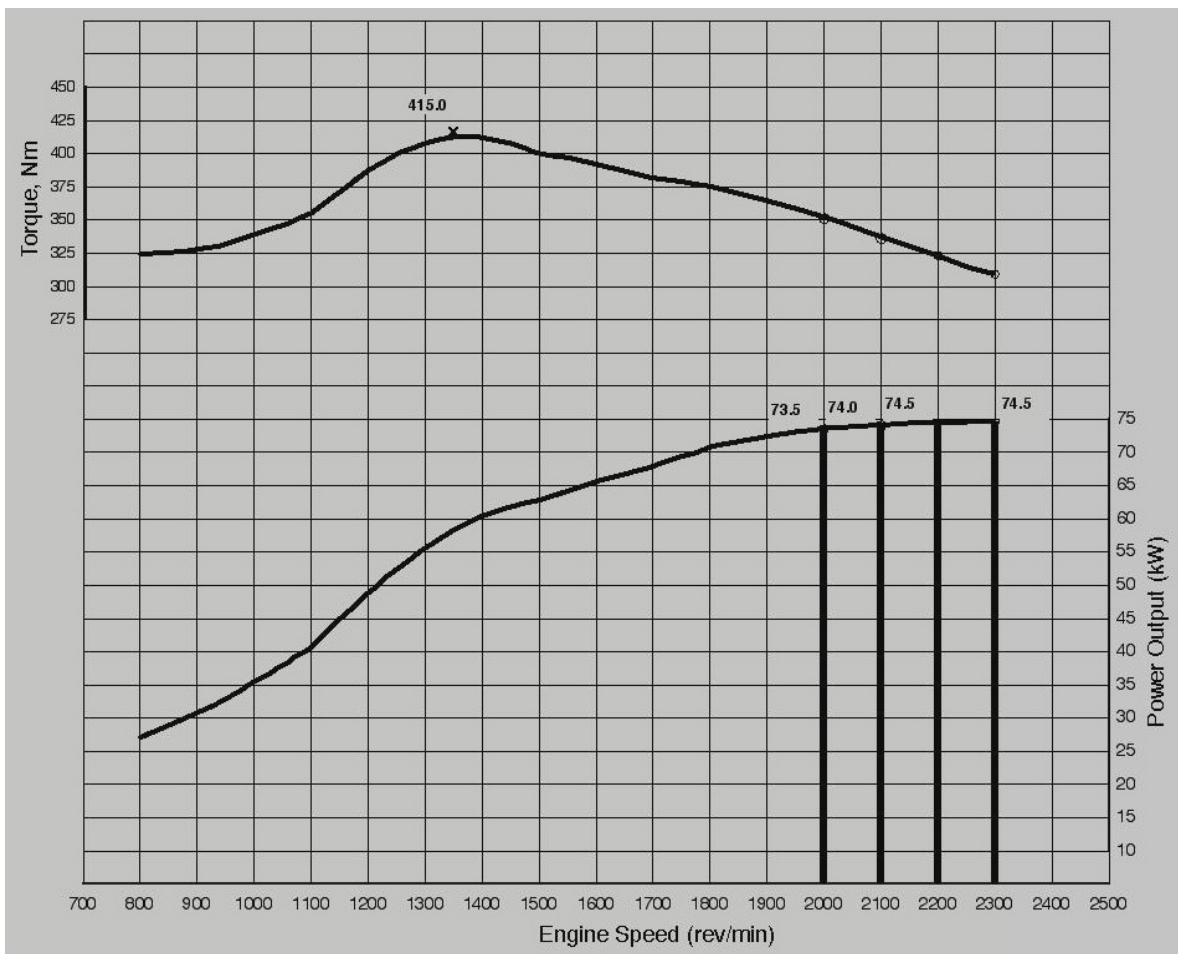
CAPACITIES

Hydraulic System (Inc. Tank)	:	125 lt
Fuel Tank	:	125 lt
Engine Coolant	:	13 + 13 lt
Engine Oil	:	8 lt
Front Axle Differential Oil	:	8.5 lt
Rear Axle Differential Oil	:	13 lt
Rear Ends	:	3x1.5 lt
Gear box	:	13 lt
Torque Converter	:	6.5 lt
Machine Weight	:	8750 kg

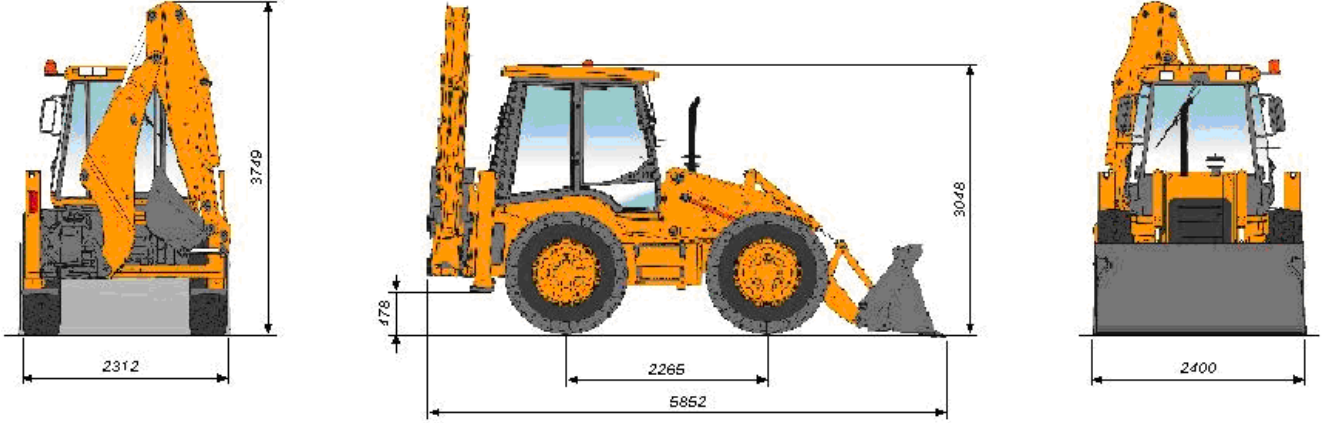
CABIN

- The cab, possessing ROPS and FOPS protection systems, offers excellent vision by means of its wide windows. The floor, ceiling and front-rear mud guards are manufactured of mono-block unbreakable polyester.
- A comfortable working environment in the cabin both in summer and in winter is secured thanks to the isolation material laid under the cab ceiling.
- The cab has two doors, lockable both either from inside or outside.
- Side and rear windows are so designed as can be opened fully.
- Wide rear-view mirrors, interior lighting, vario-speed wipers for the wind shield and rear window, wind shield water spraying system, horn and rear gear warning siren, rotating beam on top.
- Road and work lights
- Two-stage heating system and ventilation system.
- Engine rpm gauge, engine operating hour, engine coolant temperature and fuel amount can be monitored on the control panel on right side.
- Audio and visual warning systems exist on the control panel for the status of charging, engine coolant temperature, engine oil pressure, engine oil temperature, differential oil pressure and air filter
- Anti-mist resistant heater for the rear window.
- Continuously adjustable steering wheel rod in the forward-rearward directions.
- Operators seat that can swivel 360°, with forward and rearward and height adjustability besides various other capabilities, provides the operator with the most comfortable working position to offer utmost productivity over extended periods.

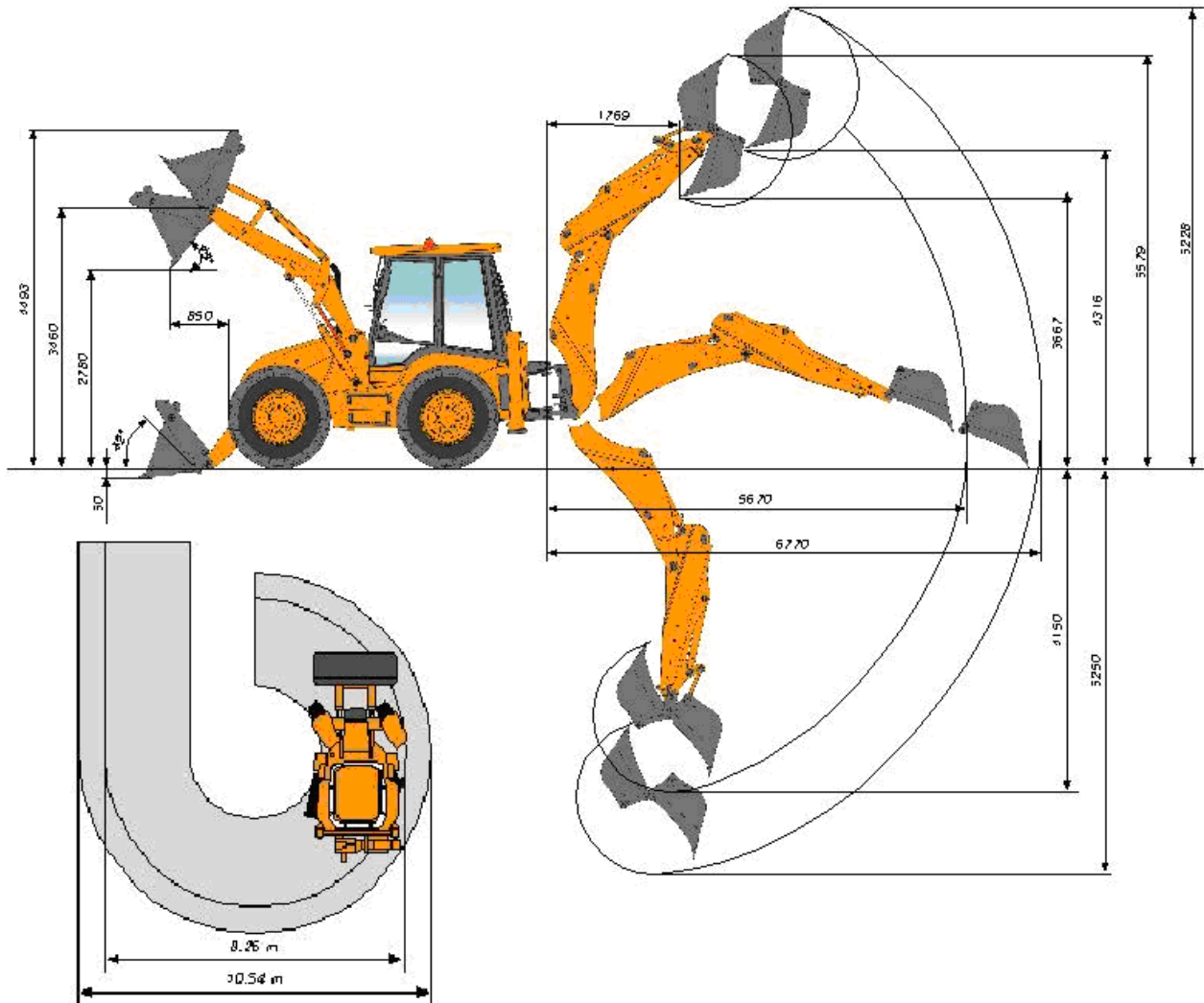
ENGINE DIAGRAM



GENEL BOYUTLAR / GENERAL DIMENSIONS



KAZICI – YÜKLEYİCİ BOYUTLARI VE DÖNÜŞ DAİRESİ ÇAPLARI/ BACKHOE-LOADER DIMENSIONS AND TURNING DIAMETERS



YÜRÜYÜŞ POZİSYONLARI / DRIVE POSITIONS

A- Dar yerlerde
yükleme sırasında
manevra yeteneğini
artıran BELDEN
KIRMA yürüyüşü

A- Articulated steering that
increases maneuvering
capability during loading
in narrow place



B- Yol yürüyüşünde
kullanılan ÖN
TEKERDEN
direksiyonlama

B- Front wheel steering
used for cruise on
road.

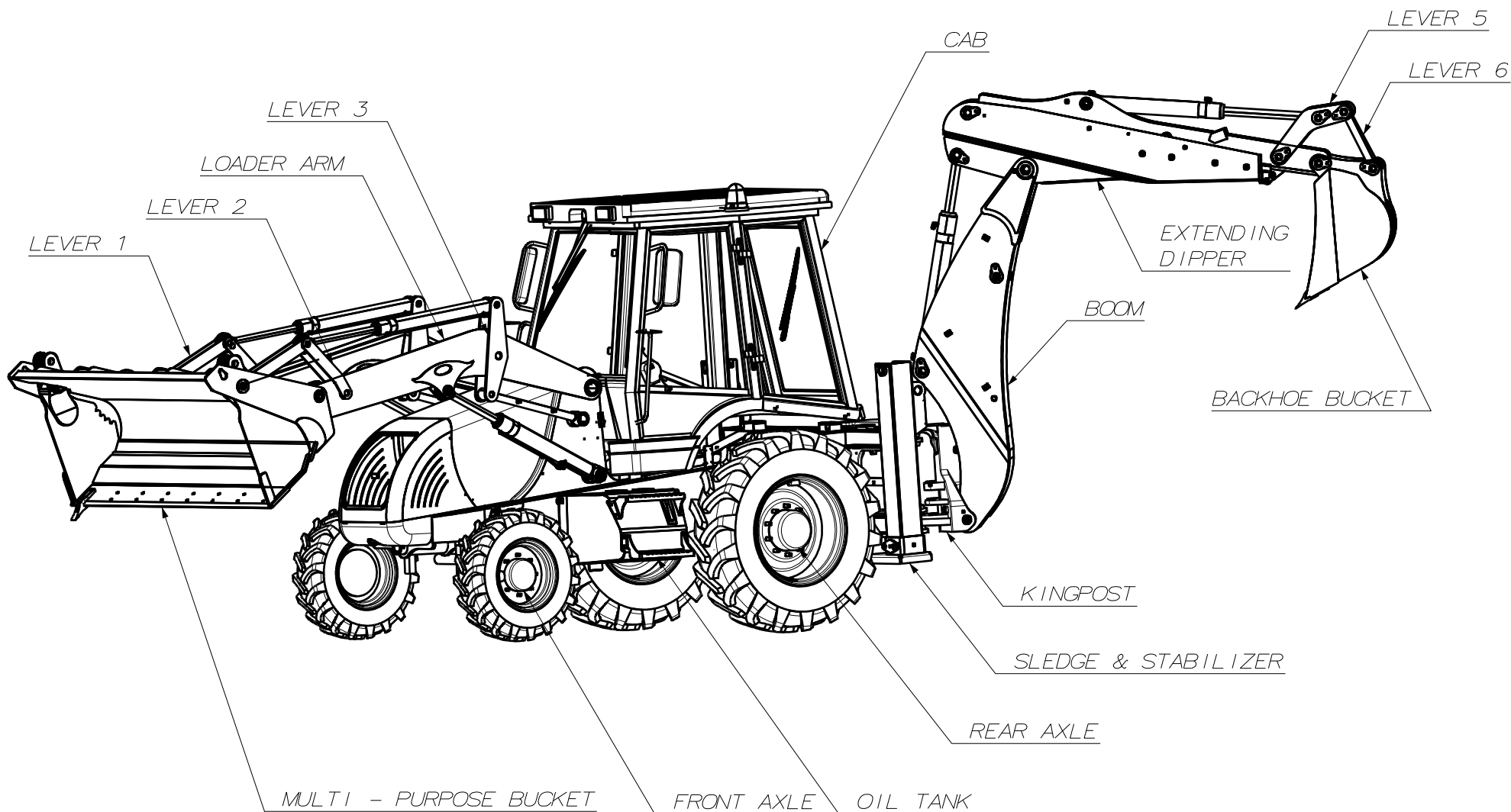


C- Duvar ve kanal
yanlarındaki kazılarda
kullanılan YENGEÇ
yürüyüşü

C- Crab steering mode
that is used for
excavations near
walls and canals.

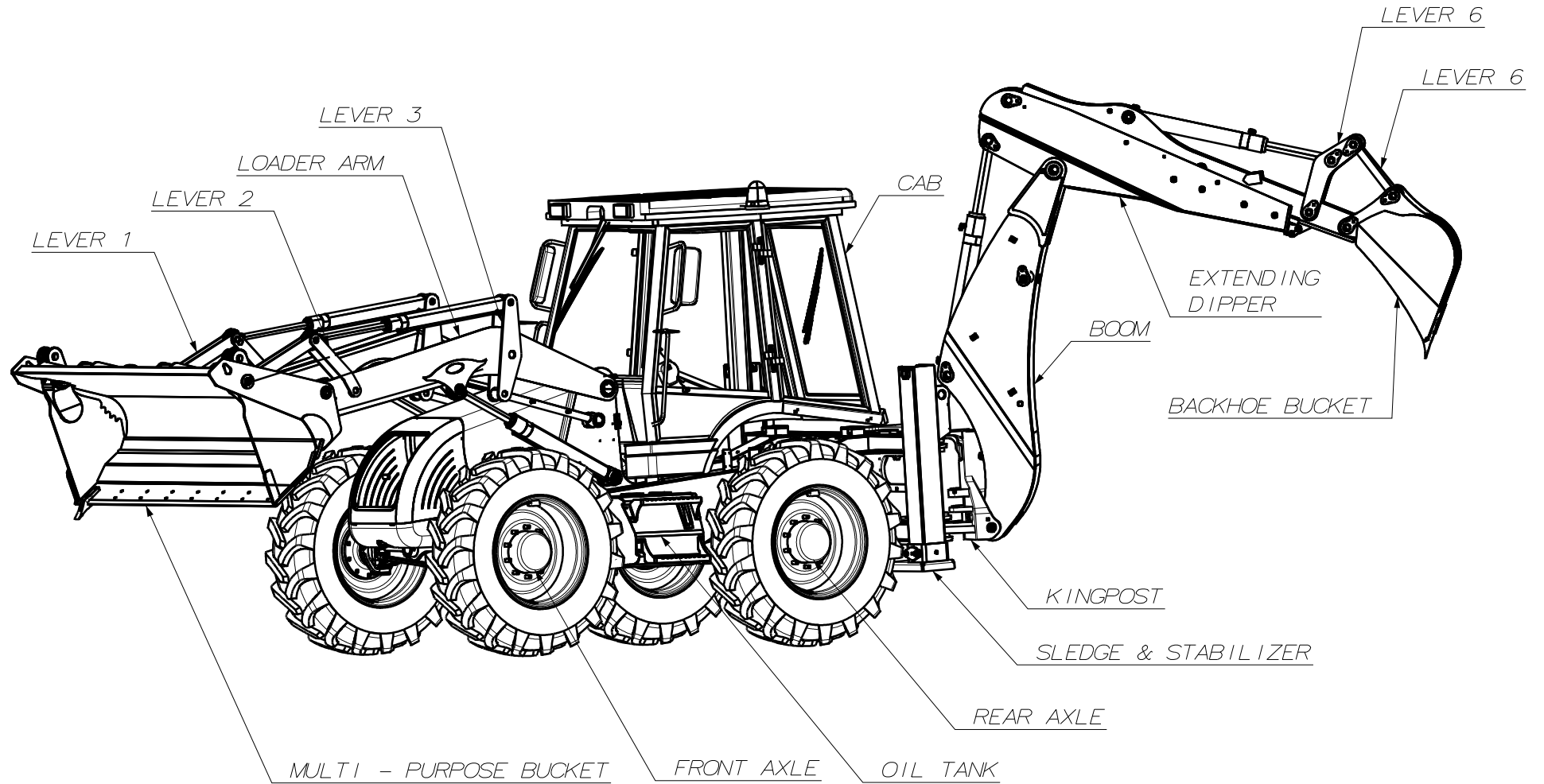
Backhoe – Loader

Machine Components



Backhoe – Loader

Machine Components



1 - MOTOR / ENGINE



TANIM / DESCRIPTION

SAYFA NO / PAGE NUMBER

SİLİNDİR BLOĐU / CYLINDER BLOCK

001 – 002

KRANK / CRANKSHAFT

003 – 004

PİSTON / PISTON

005 – 006

BİYEL KOLU / CONROD

007 – 008

YAĐ KEĐE YUVASI, ARKA / REAR OIL SEAL HOUSING

009 – 010

SİLİNDİR KAPAĐI KOMPLESİ / CYLINDER HEAD ASSEMBLY

011 – 012

KÜLBÜTÖR / ROCKER

013 – 014

EKSANTRİK MİLİ / TIMING GEAR & CAM SHAFT

015 – 016

YAKIT ENJEKSİYON POMPASI / FUEL INJECTION PUMP

017 – 018

YAKIT ENJEKSİYON BORULARI / HIGH PRESSURE FUEL INJECTION PIPES

019 – 020

ENJEKTÖRLER / ATOMISERS

021 – 022

SOĐUK ÇALIŐTIRMA MÜŐÜRÜ / PICK-UP SENSOR

023 – 024

YAKIT BESLEME KONTROL BORUSU / BOOST CONTROL PIPE

025 – 026

YAKIT SIZINTI BORUSU / FUEL LEAK-OFF PIPE

027 – 028

SOĐUK ÇALIŐTIRMA MÜŐÜRÜ / PICK-UP SENSOR

029 – 030

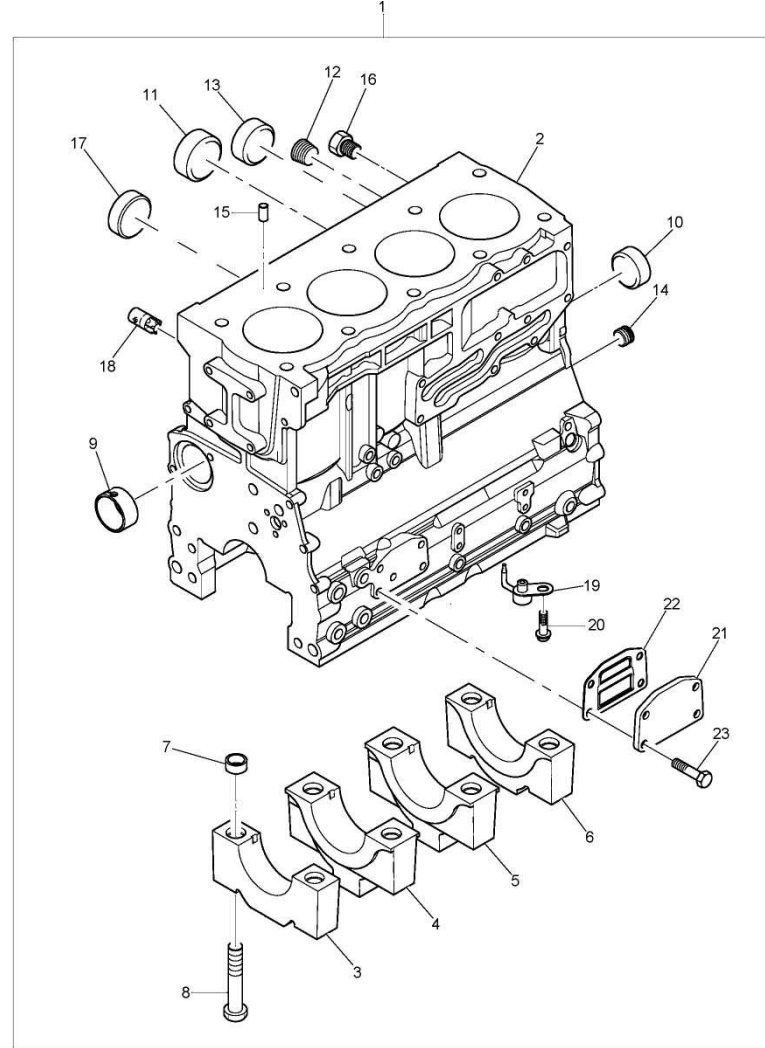
1 - MOTOR / ENGINE

TANIM / DESCRIPTION	SAYFA NO / PAGE NUMBER
VOLAN MUHAFAZASI / FLYWHEEL HOUSING	031 – 032
VOLAN & MARŞ DİŐLİŐİ / FLYWHEEL & STARTER GEAR	033 – 034
MARŞ MOTORU / STARTER MOTOR	035 – 036
FAN SÜRÜCÜ YATAđI, KASNAđI & KAYIŐI / FAN DRIVE HOUSING, PULLEY & BELT (M542)	037 – 038
FAN SÜRÜCÜ YATAđI, KASNAđI & KAYIŐI / FAN DRIVE HOUSING, PULLEY & BELT (M544)	039 – 040
KARTER / SUMP	041 – 042
YAđ SEVİYE ÇUBUđU & BORUSU / DIPSTICK & FILLER TUBE	043 – 044
YAđ EMİŐ BORUSU / OIL STRAINER	045 – 046
KÜLBÜTÖR KAPAđI / CYLINDER HEAD COVER	047 – 048
KÜLBÜTÖR KAPAđI / CYLINDER HEAD COVER	049 – 050
YAđ DOLDURMA BORUSU / FILLER	051 – 052
TAHLİYE BORUSU / BREATHER PIPE	053 – 054
YAđ SOđUTUCU / OIL COOLER	055 – 056
YAđ FİLTRE KAFASI / OIL FILTER HEAD	057 – 058
KÖR KAPAK / BLANKING PLATES	059 – 060
YAđ FİLTRESİ / OIL FILTER	061 – 062
KRANK KASNAđI / FRONT END DRIVE INPUT	063 – 064
SU POMPASI / WATER PUMP	065 – 066
SU POMPASI TAMİR TAKIMI / WATER PUMP REPAIR KIT	067 – 068
BAđLANTI BORUSU / PIPE	069 – 070
TERMOSTAT & BAđLANTISI / WATER OUTLET HOUSING	071 – 072
PERVANE / FAN	073 – 074
ALTERNATÖR / ALTERNATOR	075 – 076
ALTERNATÖR BAđLANTILARI / ALTERNATOR BRACKET & FIXING	077 – 078
ALTERNATÖR KASNAđI / ALTERNATOR PULLEY	079 – 080
YARDIMCI KASNAK / AUXILIARY DRIVE	081 – 082
ZAMANLAMA DİŐLİŐİ MUHAFAZASI / TIMING CASE	083 – 084
EKSANTRİK & AVARE DİŐLİ / IDLER GEAR	085 – 086
ZAMANLAMA DİŐLİŐİ KAPAđI / TIMING GEAR COVER	087 – 088
SIKMA PLAKASI / BLANKING PLATE	089 – 090
GÜNCELLEME TARİHİ / LAST UPDATED : 20.03.2009	© 2009, YAYIN NO / ISSUE NO: M542-M544-TIER2

1 - MOTOR / ENGINE

TANIM / DESCRIPTION	SAYFA NO / PAGE NUMBER
YAĐ BASINÇ MÜŞÜRÜ & TAPA / OIL PRESSURE SWITCH & BLANKING PLUG	091 – 092
YAĐ POMPASI / OIL PUMP	093 – 094
TURBOŞARJ / TURBOCHARGER	095 – 096
TURBO YAĐ BESLEME BORUSU / TURBO FEED PIPE	097 – 098
TURBO SIZINTI BORUSU / TURBO LEAK-OFF PIPES	099 – 100
EGZOZ MANİFOLDU / EXHAUST MANIFOLD	101 – 102
BORU & BAĐLANTILARI / PIPEWORK & CONNECTIONS	103 – 104
BORU & BAĐLANTILARI / PIPEWORK & CONNECTIONS	105 – 106
BESLEME POMPASI – YAKIT FİLTRESİ / LIFT PUMP – FUEL FILTER	107 – 108
BORU, YAKIT FİLTRESİ – ENJEKSİYON POMPASI / FILTER TO INJECTION PUMP PIPE	109 – 110
BORU, ENJEKSİYON POMPASI – YAKIT FİLTRESİ / INJECTION PUMP TO FILTER PIPE	111 – 112
ISITMA BUJİLERİ / HEATER PLUGS	113 – 114
MOTOR KALDIRMA KULAKLARI / ENGINE LIFTING EYES	115 – 116
YAĐ BASINÇ ÖLÇÜMÜ, BASINÇ HATTI / LUBRICATING OIL PRESSURE SWITCH-GAUGE	117 – 118
YAKIT - SU AYIRICI / WATER TRAP	119 – 120
YAKIT - SU AYIRICI / WATER TRAP	121 – 122
YAKIT - SU AYIRICI / WATER TRAP	123 – 124
YARDIMCI DONANIMLAR / MISCELLANEOUS & AUXILIARIES	125 – 126
ÜST CONTA TAMİR TAKIMI / TOP GASKET SERVICE KIT	127 – 128
ALT CONTA TAMİR TAKIMI / BOTTOM GASKET SERVICE KIT	129 – 130
ISITMA RÖLESİ / HEATING RELAY	131 – 132
HARARET MÜŞÜRLERİ / ENGINE TEMPERATURE SWITCHES	133 – 134
SU RADYATÖRÜ & PARÇALARI / WATER RADIATOR & PARTS	135 – 136
MOTOR – KALORİFER BAĐLANTISI / ENGINE – HEATING CONNECTION	137 – 138
HAVA FİLTRESİ & PARÇALARI / AIR FILTER & PARTS	139 – 140
SUSTURUCU & EGZOZ / SILENCER BODY & EXHAUST	141 – 142
YAKIT – SU AYIRICI FİLTRE / FUEL SEDIMENT	143 – 144
MOTOR & ŞANZİMAN BAĐLANTISI / ENGINE & TRANSMISSION CONNECTION	145 – 146

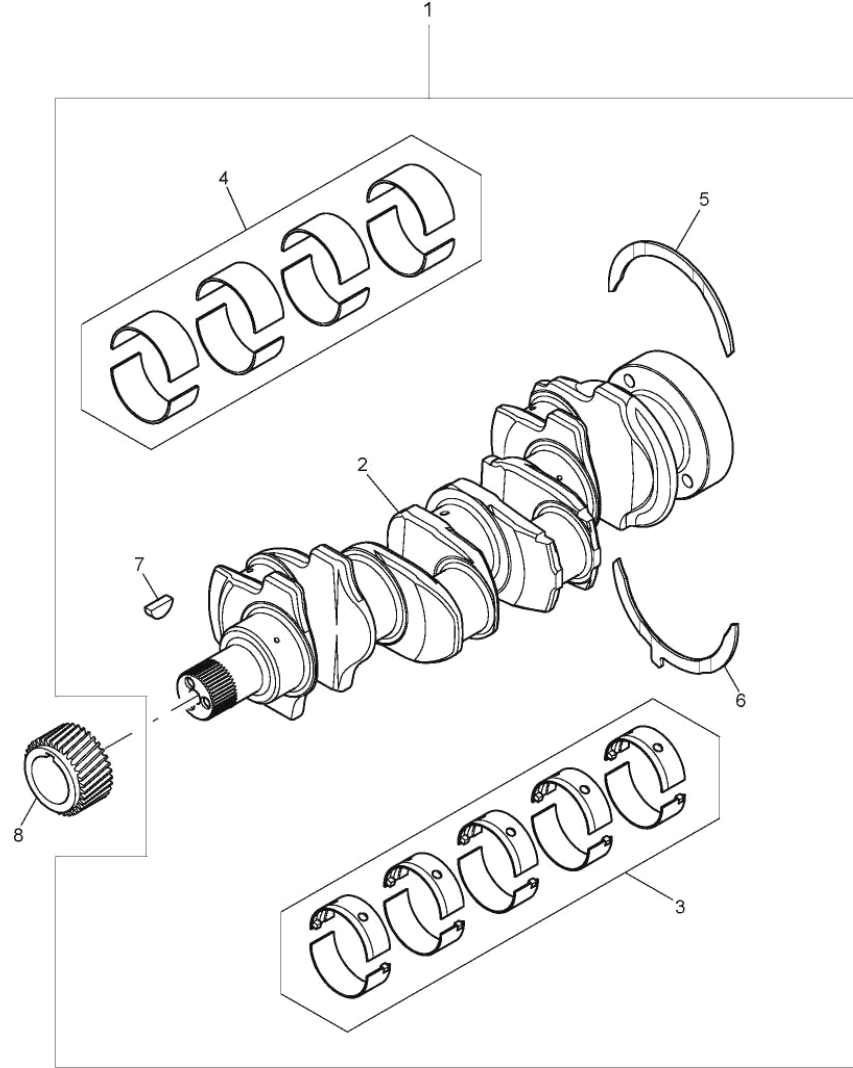
SİLİNDİR BLOĐU / CYLINDER BLOCK



SİLİNDİR BLOĐU / *CYLINDER BLOCK*

POS	YEDEK PARÇA KODU SPARE PART CODE	REFERANS KODU REFERENCE CODE	PARÇA TANIMI	DESCRIPTION	MİKTAR QTY.	NOT NOTE
1		ZZ50311	SİLİNDİR BLOK KİTİ	<i>CYLINDER BLOCK KIT</i>	1	
2			SİLİNDİR BLOĐU	<i>CYLINDER BLOCK</i>	1	⇒ ZZ50311
3			KRANK YATAĐI	<i>BEARING CAP</i>	1	⇒ ZZ50311
4			KRANK YATAĐI	<i>BEARING CAP</i>	1	⇒ ZZ50311
5			KRANK YATAĐI	<i>BEARING CAP</i>	1	⇒ ZZ50311
6			KRANK YATAĐI	<i>BEARING CAP</i>	1	⇒ ZZ50311
7		33142111	YÜZÜK	<i>THIMBLE</i>	10	
8		32166329	CIVATA	<i>SCREW</i>	10	
9		3112D071	EKSANTRİK MİL BURCU	<i>CAMSHAFT BUSH</i>	1	
10		3241A012	TAPA	<i>PLUG</i>	1	
11		3241A011	TAPA	<i>PLUG</i>	2	
12		0650588	TAPA	<i>PLUG</i>	1	
13		0650710	TAPA	<i>PLUG</i>	1	
14		3212P008	TAPA	<i>PLUG</i>	1	
15		3244A009	PİM	<i>DOWEL</i>	2	
16		32141316	TAPA	<i>PLUG</i>	2	
17		2485A108	TAPA	<i>PLUG, BLANKING</i>	1	
18		3212V006	TAPA	<i>PLUG</i>	1	
19		2113A003	MEME, PİSTON SOĐUTMA	<i>JET, PISTON COOLING</i>	4	
20		2314F001	CIVATA	<i>SCREW</i>	4	
21		3623A009	KAPAK	<i>BLANKING PLATE</i>	1	
22		3688A039	CONTA	<i>GASKET</i>	1	
23		2314H033	CIVATA	<i>SCREW</i>	4	

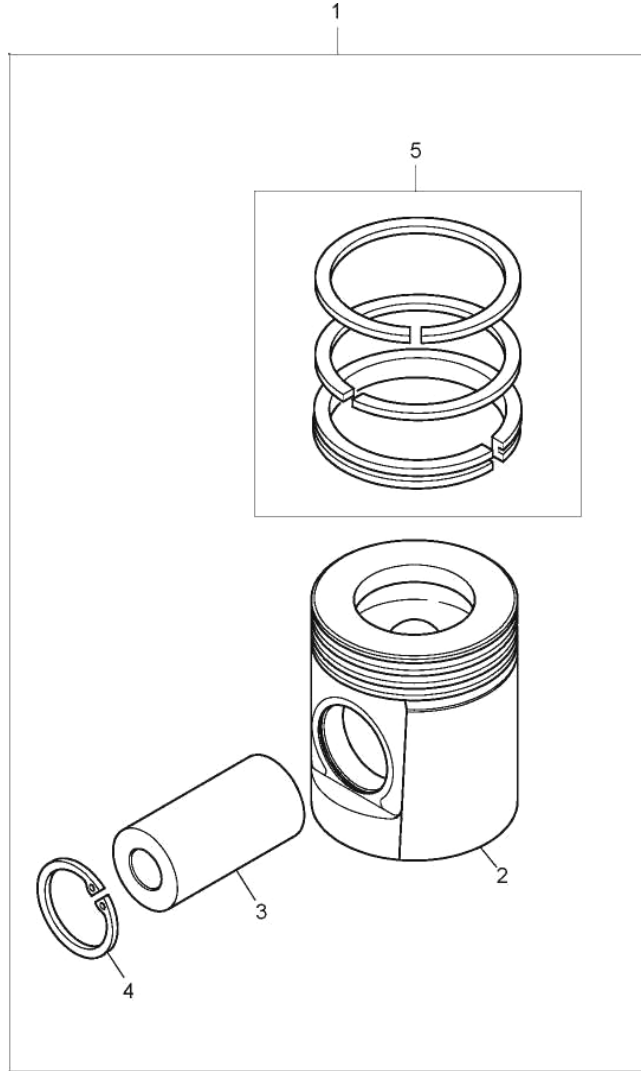
KRANK / CRANKSHAFT

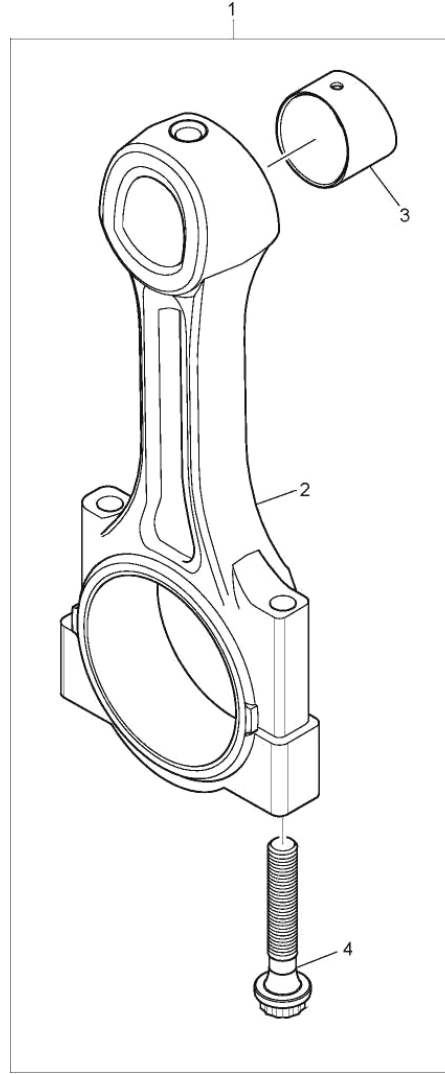


KRANK / CRANKSHAFT

POS	YEDEK PARÇA KODU SPARE PART CODE	REFERANS KODU REFERENCE CODE	PARÇA TANIMI	DESCRIPTION	MİKTAR QTY.	NOT NOTE
1		ZZ90222	KRANK MİLİ KOMPLE	CRANKSHAFT KIT	1	
2			KRANK MİLİ	CRANKSHAFT	1	⇒ ZZ90222
3		U5MB0018	ANA YATAK, TAKIM	MAIN BEARING KIT	1	Ⓢ
4		U5ME0013	KOL YATAK, TAKIM	BIG END BEARING KIT	1	Ⓢ
5		31137551	PUL, GEZİNTİ, ÜST	THRUST WASHER	2	Ⓢ
6		31137561	PUL, GEZİNTİ, ALT	THRUST WASHER	2	Ⓢ
7		0500012	AY KAMA	WOODRUFF KEY	1	
8		3117C221	DİŞLİ, KRANK MİLİ	CRANKSHAFT GEAR	1	
SERVİS SEÇENEKLERİ / SERVICE OPTIONS						
1		ZZ90222P	KRANK MİLİ KOMPLE	CRANKSHAFT KIT	1	
3		U5MB0018A	ANA YATAK, TAKIM	MAIN BEARING KIT	1	$\frac{+}{-}$ (+) 0.010"
3		U5MB0018B	ANA YATAK, TAKIM	MAIN BEARING KIT	1	$\frac{+}{-}$ (+) 0.020"
3		U5MB0018C	ANA YATAK, TAKIM	MAIN BEARING KIT	1	$\frac{+}{-}$ (+) 0.030"
4		U5ME0013A	KOL YATAK, TAKIM	BIG END BEARING KIT	1	$\frac{+}{-}$ (-) 0.25 mm
4		U5ME0013B	KOL YATAK, TAKIM	BIG END BEARING KIT	1	$\frac{+}{-}$ (-) 0.50 mm
4		U5ME0013C	KOL YATAK, TAKIM	BIG END BEARING KIT	1	$\frac{+}{-}$ (-) 0.75 mm
5		31137312	PUL	THRUST WASHER	2	$\frac{+}{-}$ (+) 0.007"
6		31137322	PUL	THRUST WASHER	2	$\frac{+}{-}$ (+) 0.007"

PİSTON / PISTON

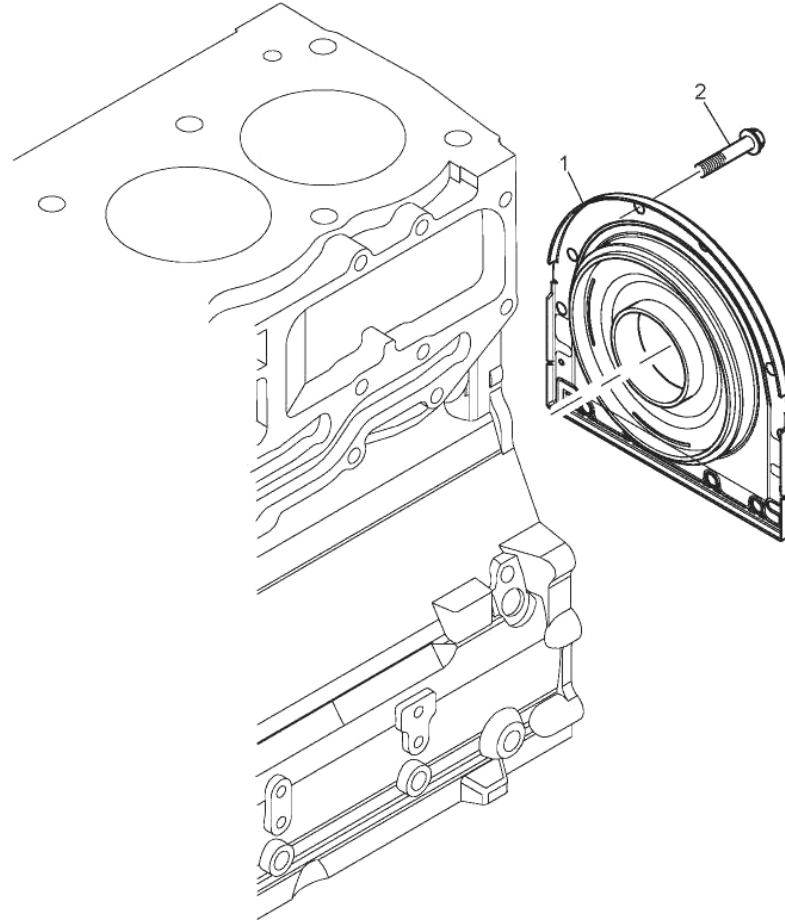


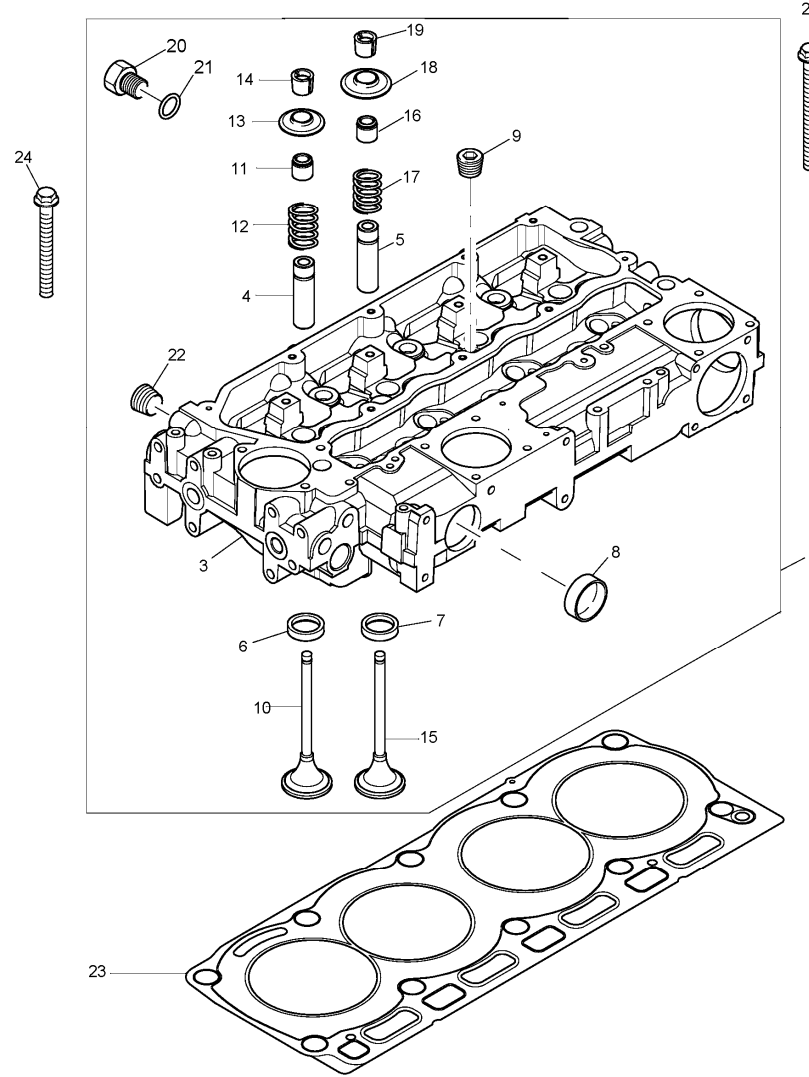


BİYEL KOLU / CONROD

POS	YEDEK PARÇA KODU SPARE PART CODE	REFERANS KODU REFERENCE CODE	PARÇA TANIMI	DESCRIPTION	MİKTAR QTY.	NOT NOTE
1			BİYEL KOLU TAKIMI	CONROD KIT	4	Ⓢ
2			BİYEL KOLU	CONROD	1	⇒ SERVİS SEÇENEKLERİ / SERVICE OPTIONS
3		3112A005	BURÇ	SMALL END BUSH	1	
4		3212V003	CIVATA	BOLT	2	
SERVİS SEÇENEKLERİ / SERVICE OPTION						
1		4115C311	BİYEL KOLU TAKIMI	CONROD KIT	4	F (KIRMIZI / RED)
1		4115C312	BİYEL KOLU TAKIMI	CONROD KIT	4	G (TURUNCU / ORANGE)
1		4115C313	BİYEL KOLU TAKIMI	CONROD KIT	4	H (BEYAZ / WHITE)
1		4115C314	BİYEL KOLU TAKIMI	CONROD KIT	4	J (YEŞİL / GREEN)
1		4115C315	BİYEL KOLU TAKIMI	CONROD KIT	4	K (MOR / PURPLE)
1		4115C316	BİYEL KOLU TAKIMI	CONROD KIT	4	L (MAVİ / BLUE)

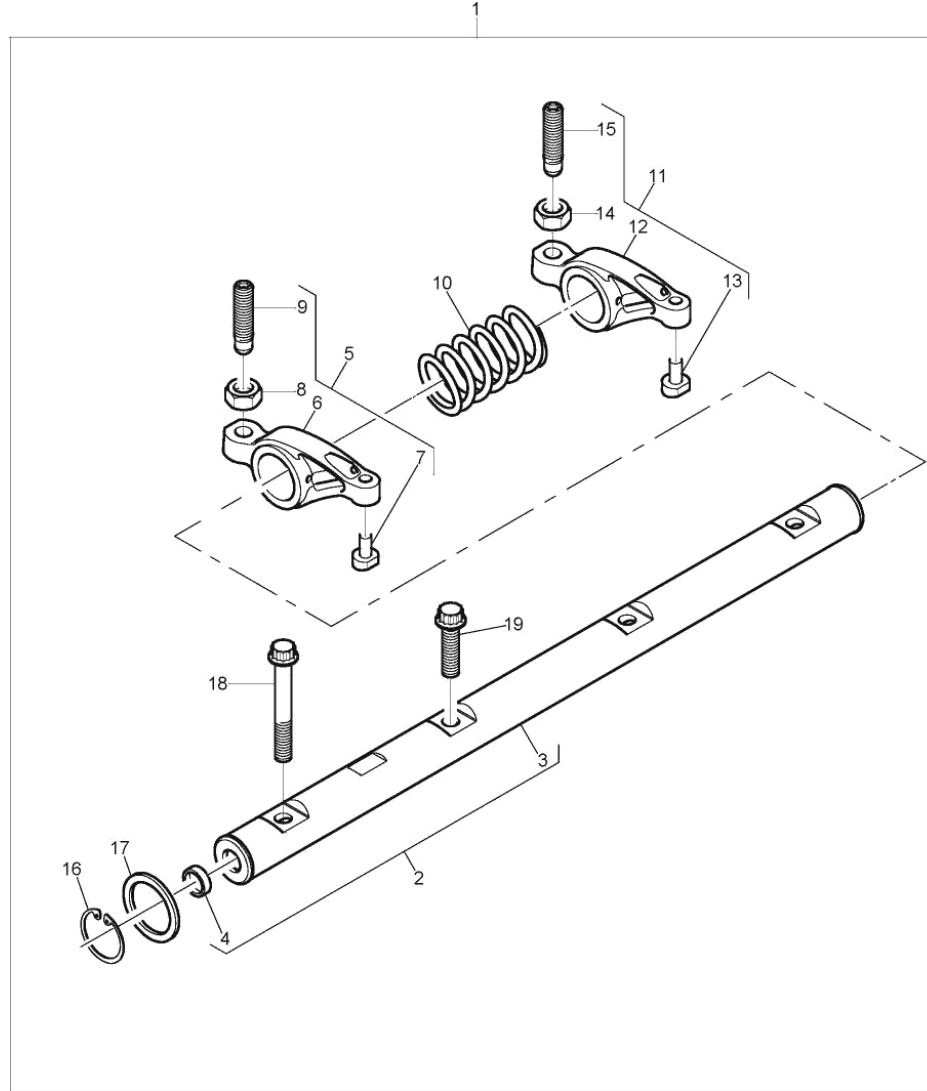
YAĐ KEĐE YUVASI, ARKA / REAR OIL SEAL HOUSING



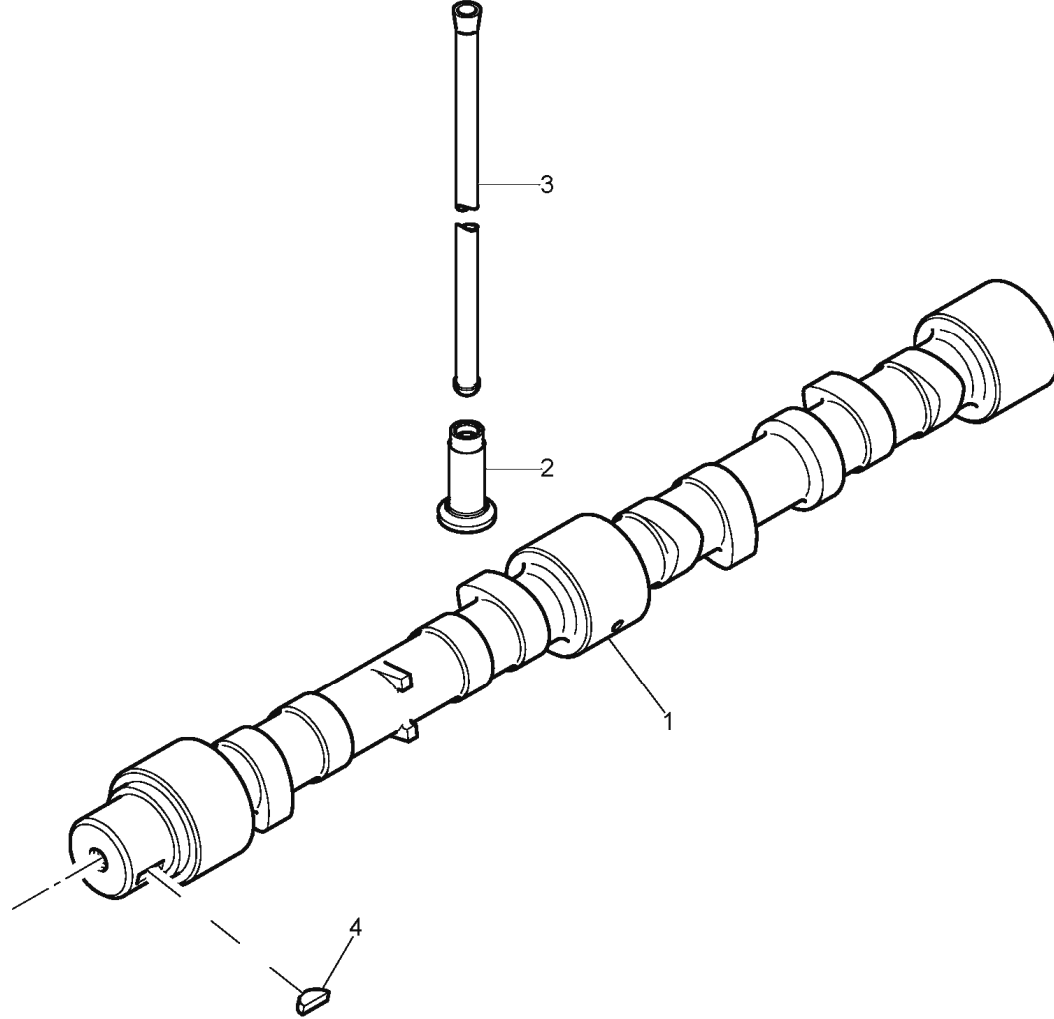


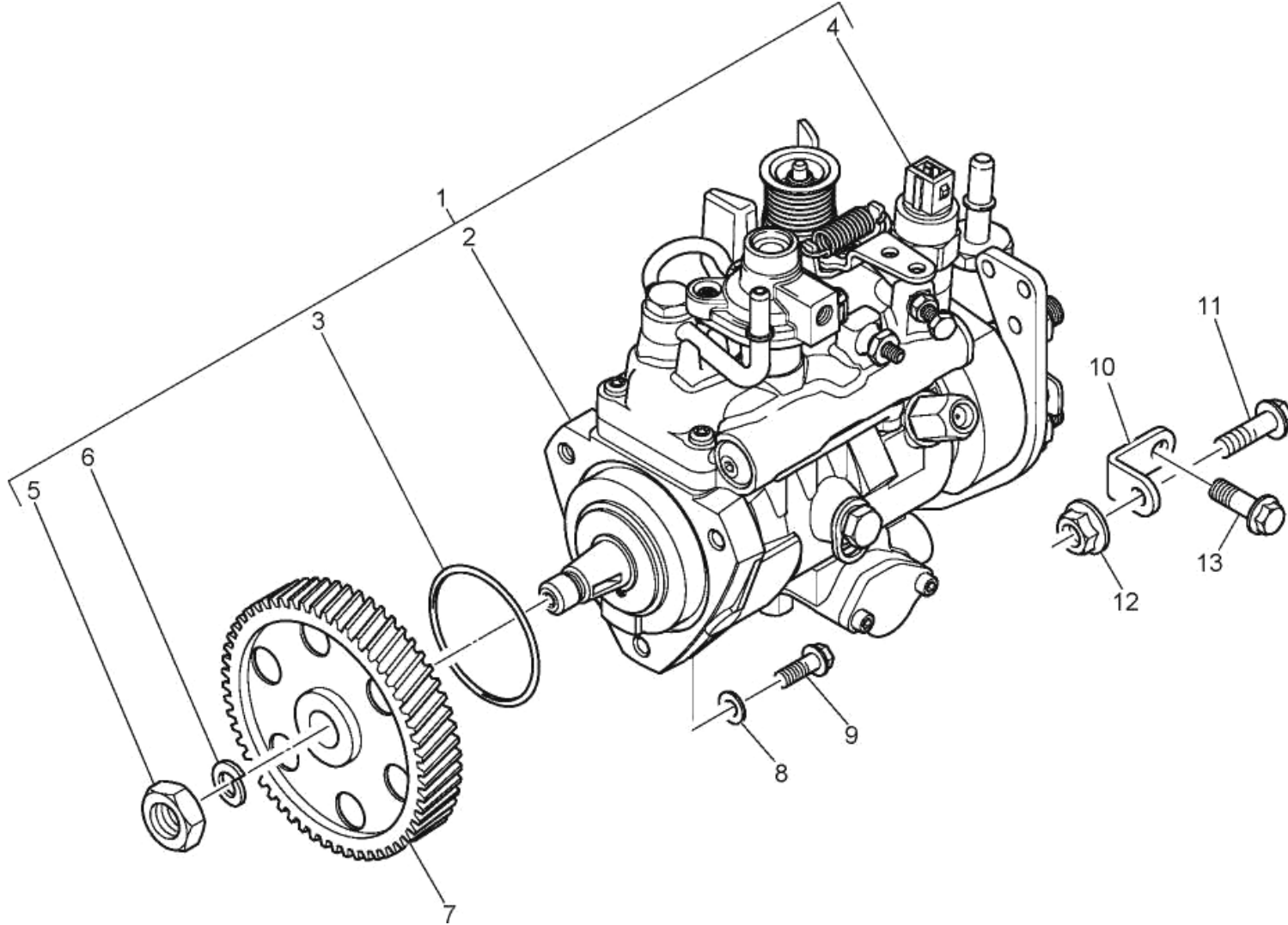
SİLİNDİR KAPAĞI KOMPLESİ / CYLINDER HEAD ASSEMBLY

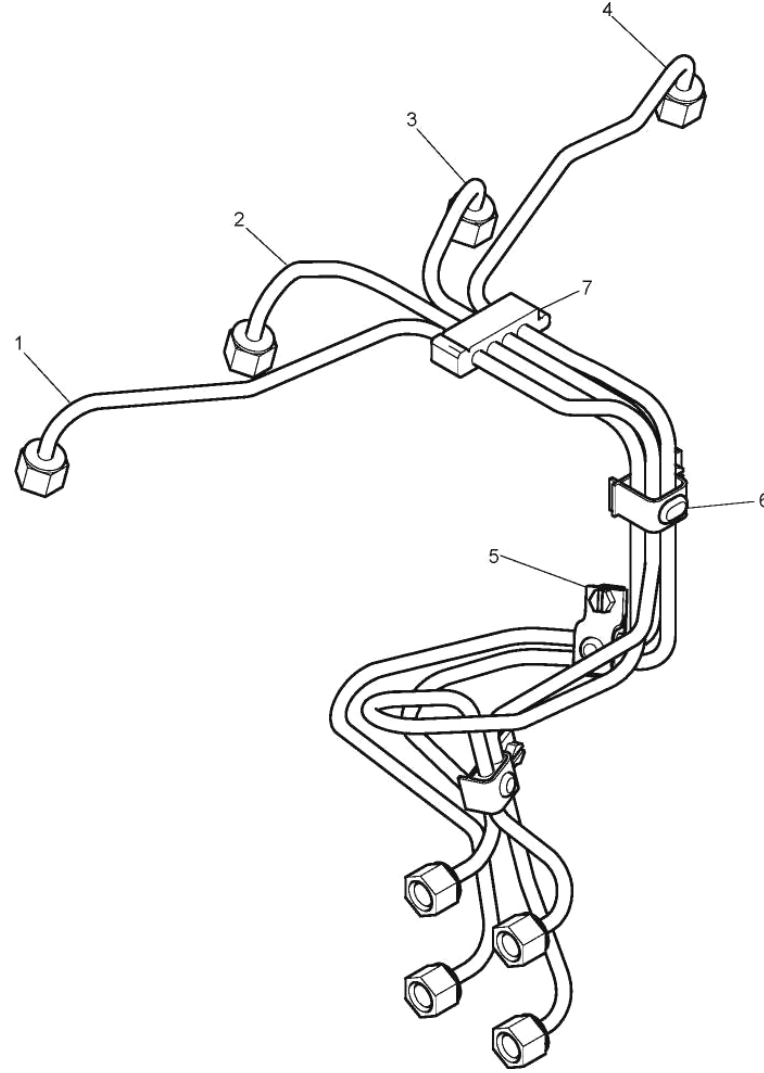
POS	YEDEK PARÇA KODU SPARE PART CODE	REFERANS KODU REFERENCE CODE	PARÇA TANIMI	DESCRIPTION	MİKTAR QTY.	NOT NOTE
1		ZZ80268	SİLİNDİR KAPAĞI KOMPLE	CYLINDER HEAD KIT	1	
3			SİLİNDİR KAPAĞI	CYLINDER HEAD	1	⇒ ZZ80268
4		3313E021	SUPAP KILAVUZU	VALVE GUIDE	4	
5		3313E021	SUPAP KILAVUZU	VALVE GUIDE	4	
6		3314A151	BAGA, EMME VALFİ	INLET VALVE INSERT	4	
7		3314A161	BAGA, EGZOZ VALFİ	EXHAUST VALVE INSERT	4	
8		32416117	TAPA	PLUG	2	
9		0650588	TAPA	PLUG	4	
10		3142H071	SUBAP, EMME	INLET VALVE	4	
11		2418M519	KEÇE, SUBAP	VALVE STEM SEAL	4	
12		3174A016	YAY, SUBAP	VALVE SPRING	4	
13		3342A011	KAPAK, SUBAP	VALVE CAP	4	
14		3142W004	TIRNAK, SUBAP	COTTER	8	
15		3142A151	SUBAP, EGZOZ	EXHAUST VALVE	4	
16		2418M517	KEÇE, SUBAP	VALVE STEM SEAL	4	
17		3174A016	YAY, SUBAP	VALVE SPRING	4	
18		3342A011	KAPAK, SUBAP	VALVE CAP	4	
19		3142W004	TIRNAK, SUBAP	COTTER	8	
20		3278A006	TAPA	PLUG	1	
21		2415H003	O-RING	ORING	1	
22		2431154	TAPA	PLUG	1	
23		3681E046	CONTA, SİLİNDİR KAPAĞI	CYLINDER HEAD GASKET	1	
24		3218A011	CIVATA	SCREW	7	
25		3218A012	CIVATA	SCREW	3	

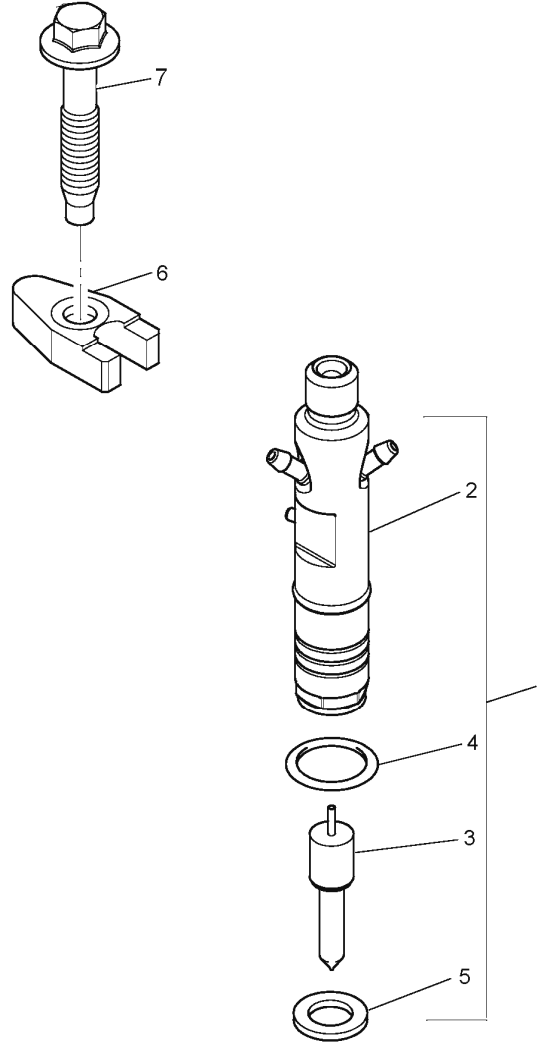


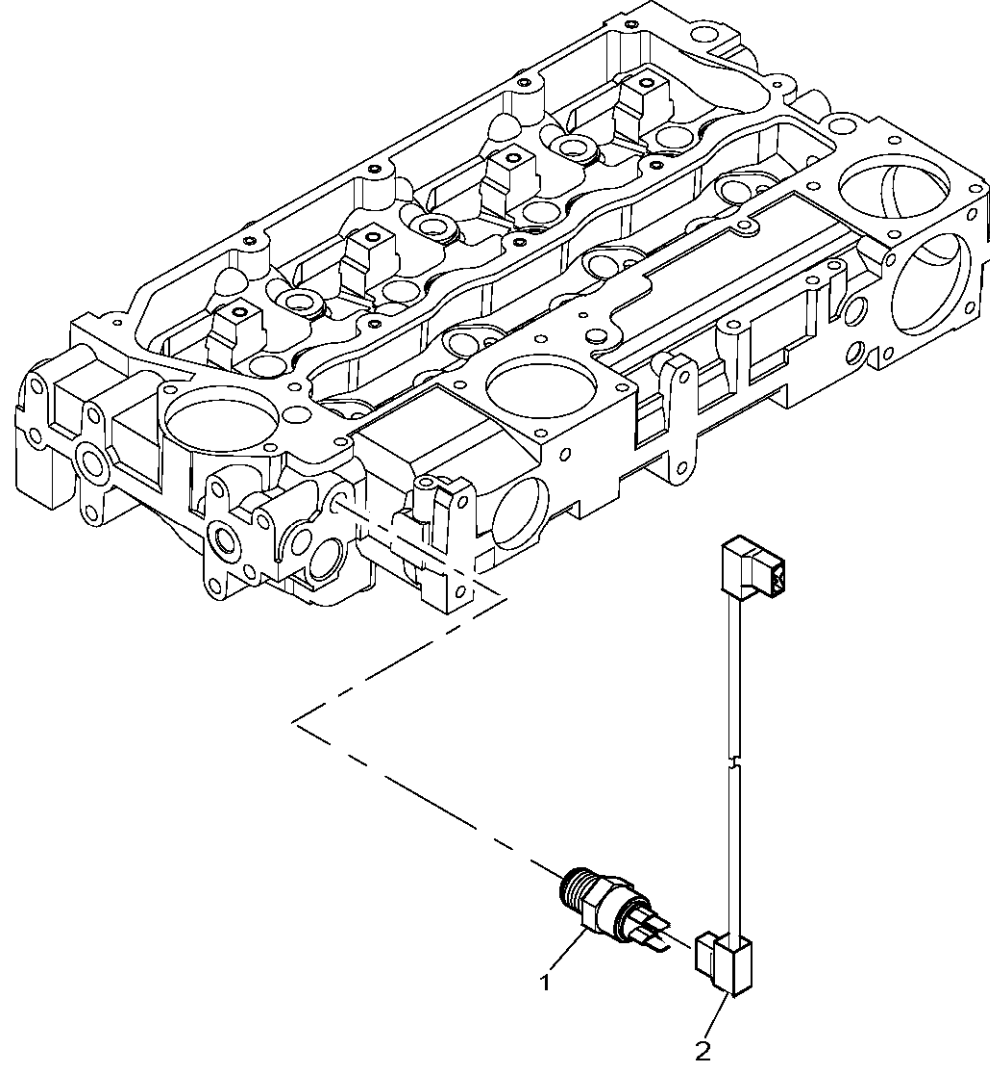
POS	YEDEK PARÇA KODU SPARE PART CODE	REFERANS KODU REFERENCE CODE	PARÇA TANIMI	DESCRIPTION	MİKTAR QTY.	NOT NOTE
1		4115R612	KÜLBÜTÖR KOMPLESİ	ROCKER ASSEMBLY	1	
2		4115R703	KÜLBÜTÖR MİLİ KOMPLESİ	ROCKER SHAFT ASSEMBLY	1	
3			KÜLBÜTÖR MİLİ	ROCKER SHAFT	1	⇒ 4115R703
4		2485A104	TAPA	PLUG	2	
5		4115R314	KÜLBÜTÖR KOLU KOMPLESİ	ROCKER ARM ASSEMBLY	4	
6			KÜLBÜTÖR KOLU	ROCKER ARM	1	⇒ 4115R314
7			YASTIK	PAD	1	⇒ 4115R314
8		0576052	SOMUN	NUT	1	
9		32114145	CIVATA	SCREW	1	
10		3174A015	YAY	ROCKER SHAFT SPRING	3	
11		4115R315	KÜLBÜTÖR KOLU KOMPLESİ	ROCKER ARM ASSEMBLY	4	
12			KÜLBÜTÖR KOLU	ROCKER ARM	1	⇒ 4115R315
13			YASTIK	PAD	1	⇒ 4115R315
14		0576052	SOMUN	NUT	1	
15		32114145	CIVATA	SCREW	1	
16		2722A022	SEGMAN	CIRCLIP	2	
17		2134A502	PUL	WASHER	2	
18		2316A901	CIVATA	SCREW	1	
19		2316A902	CIVATA	SCREW	3	



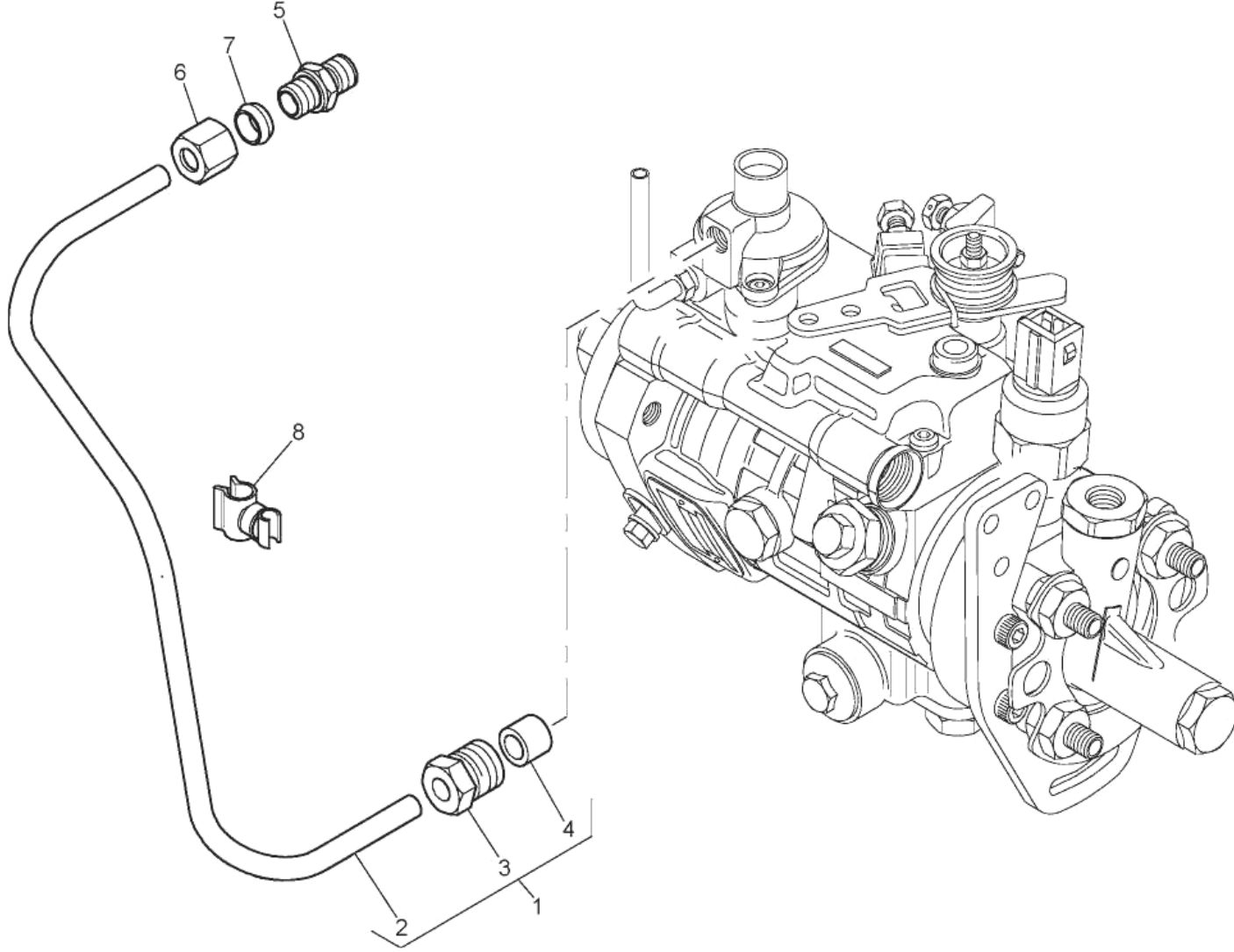


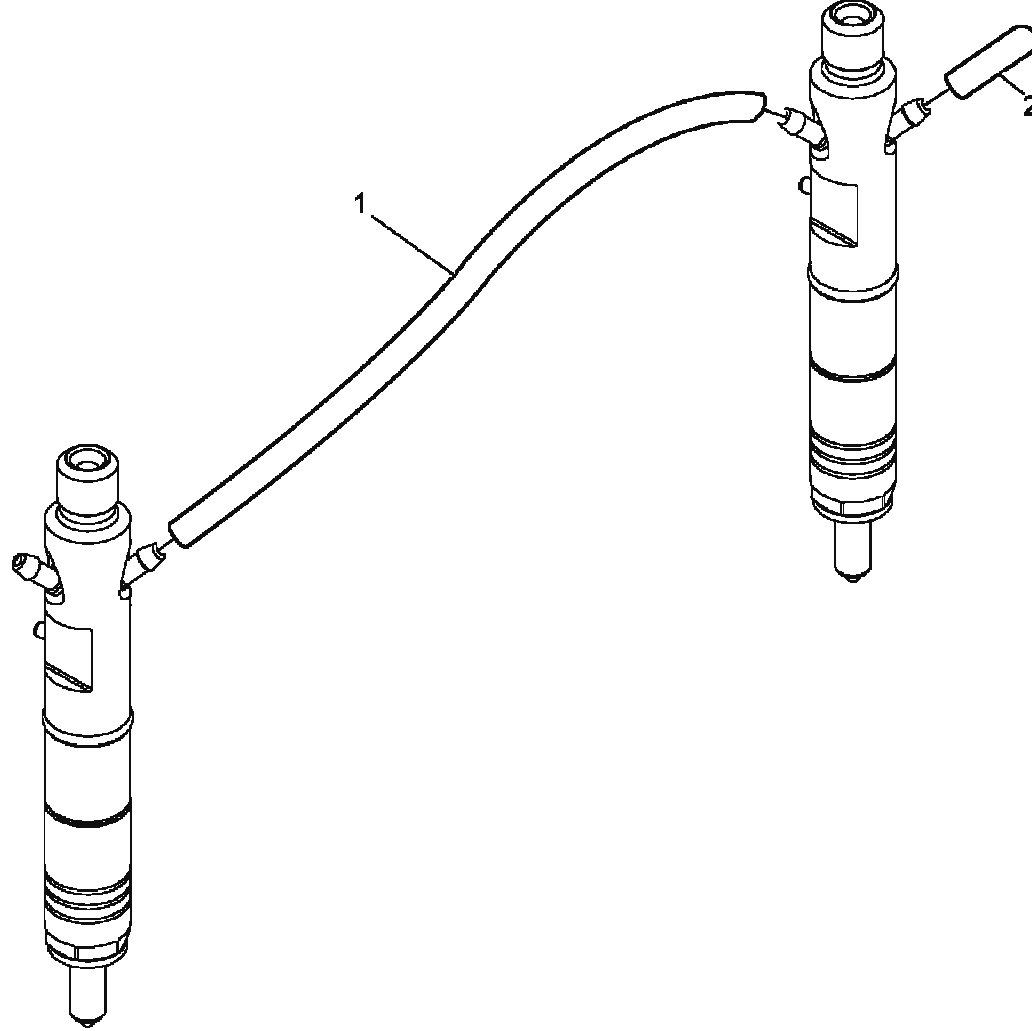




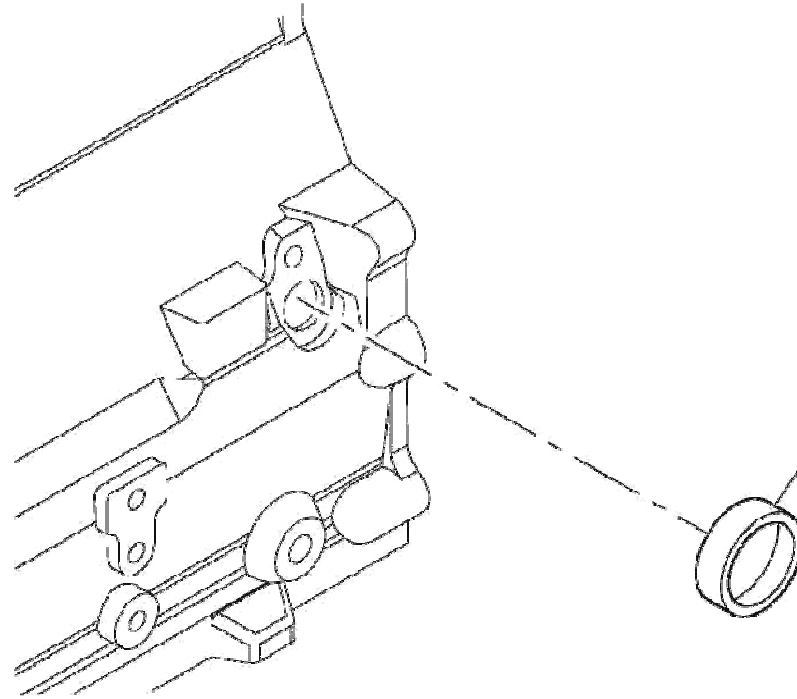


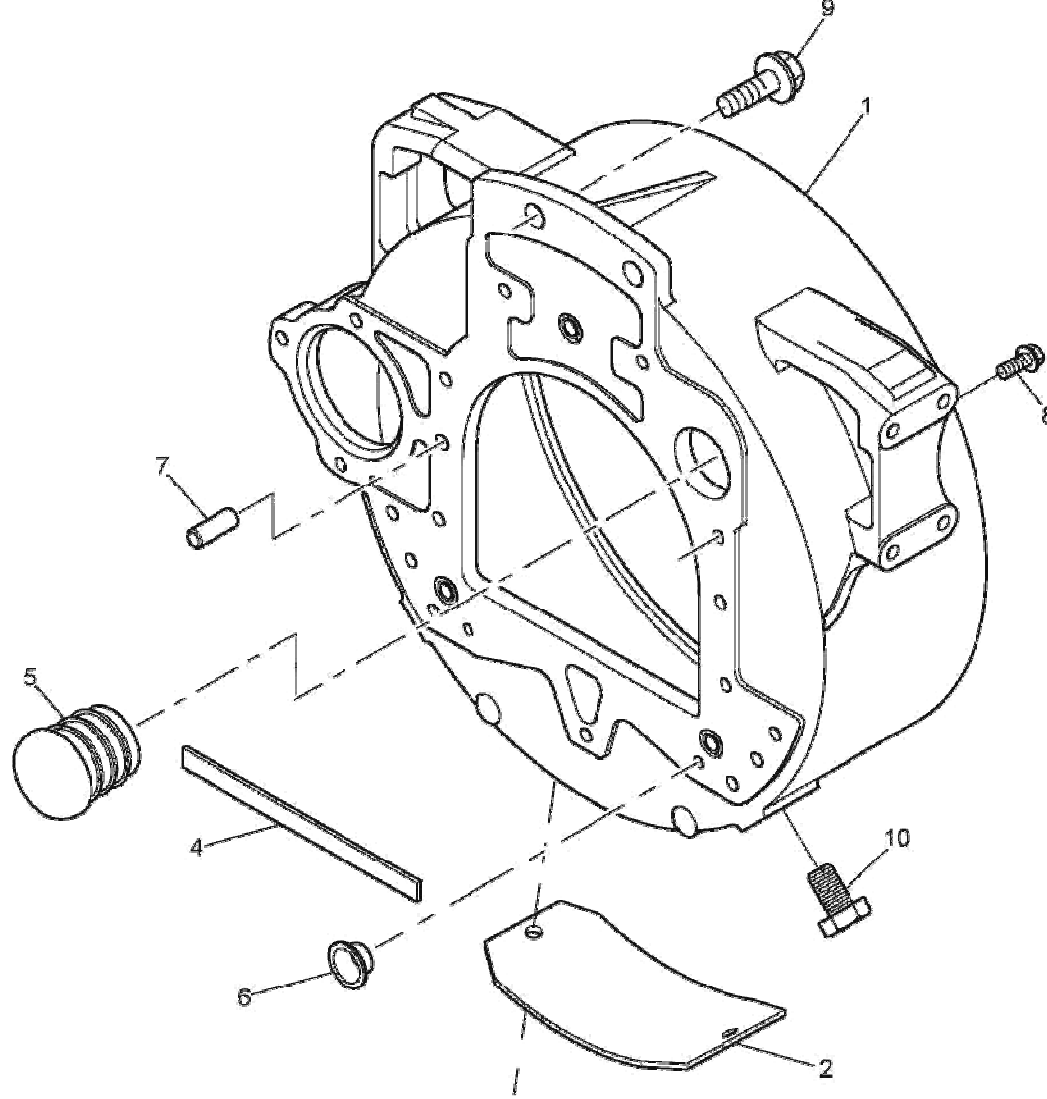
YAKIT BESLEME KONTROL BORUSU / BOOST CONTROL PIPE

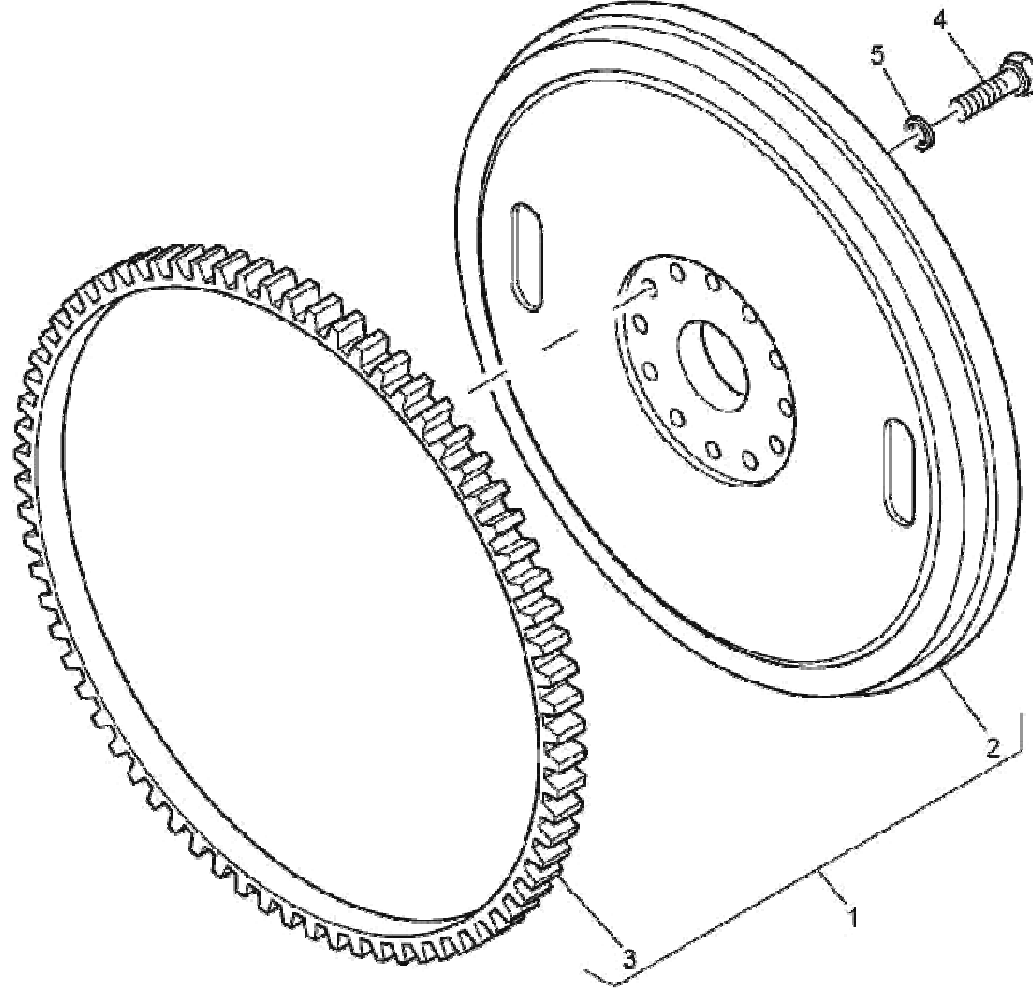




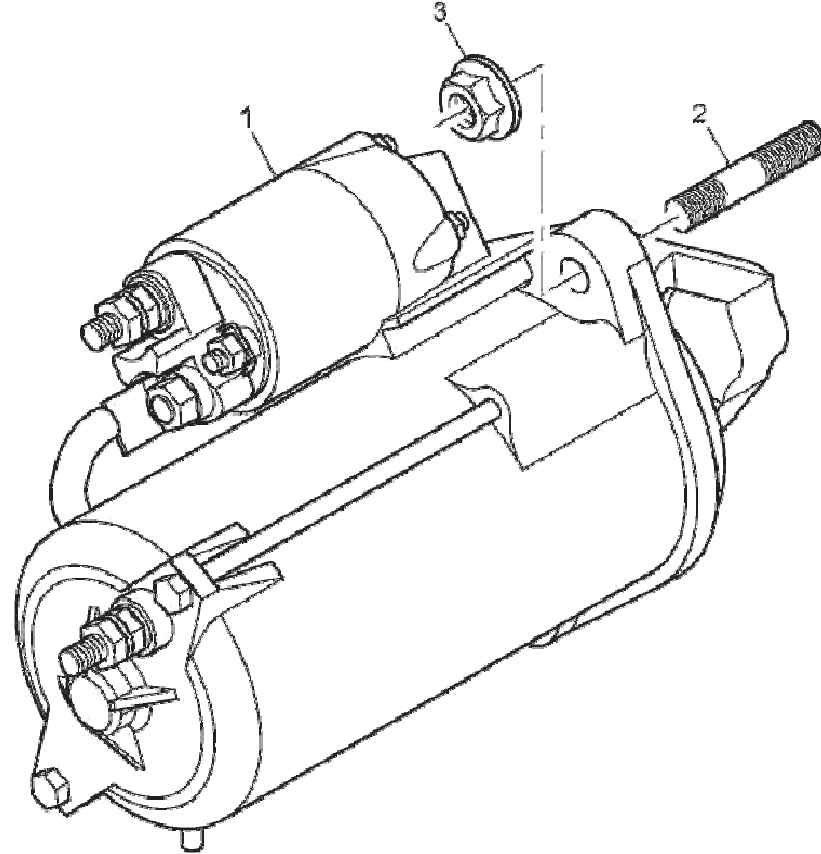
SOĐUK ALIŐTIRMA MÜŐÜRÜ / PICK – UP SENSOR

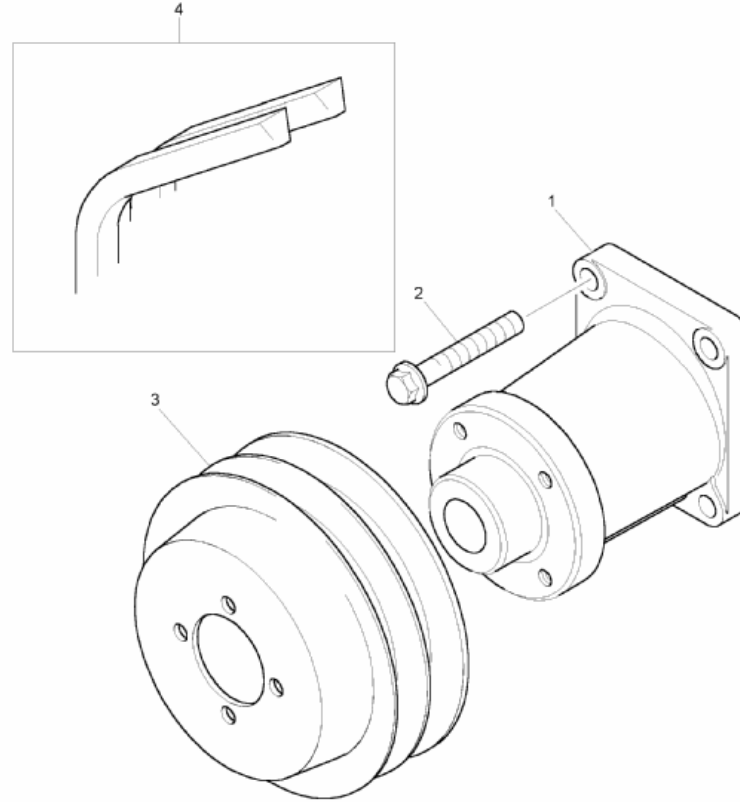


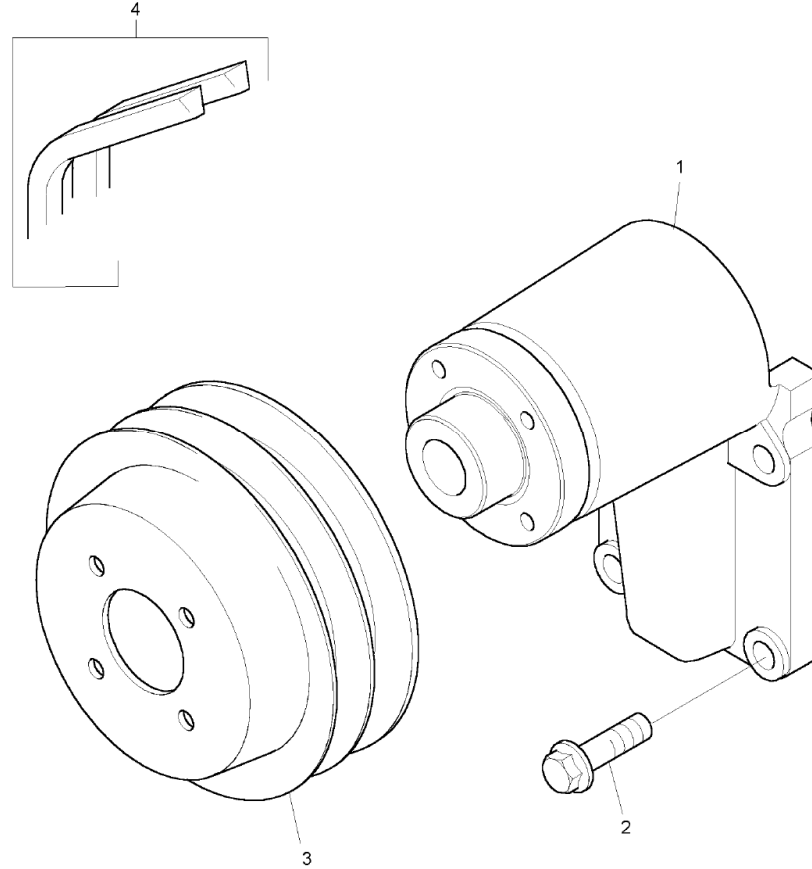




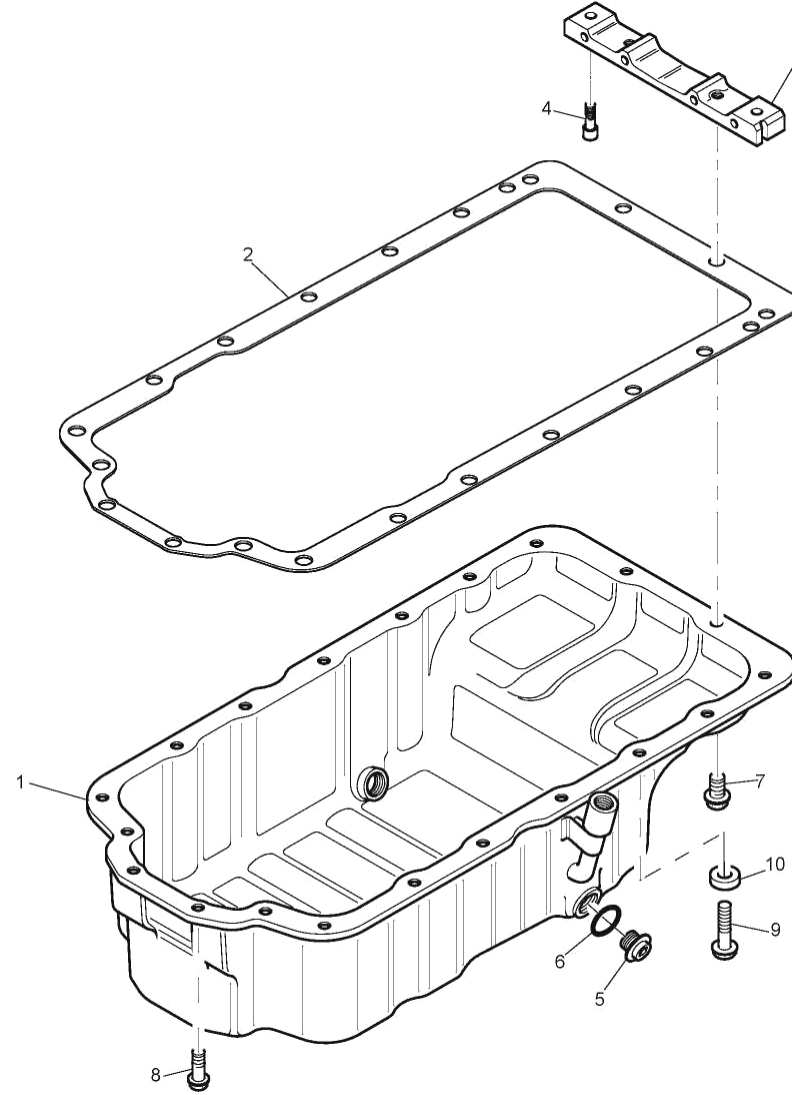
MARŞ MOTORU / STARTER MOTOR

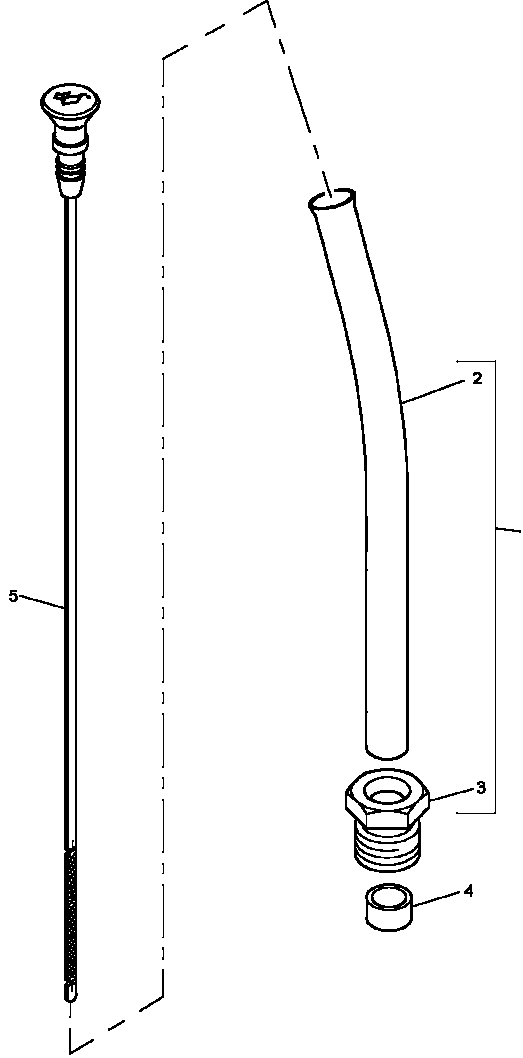


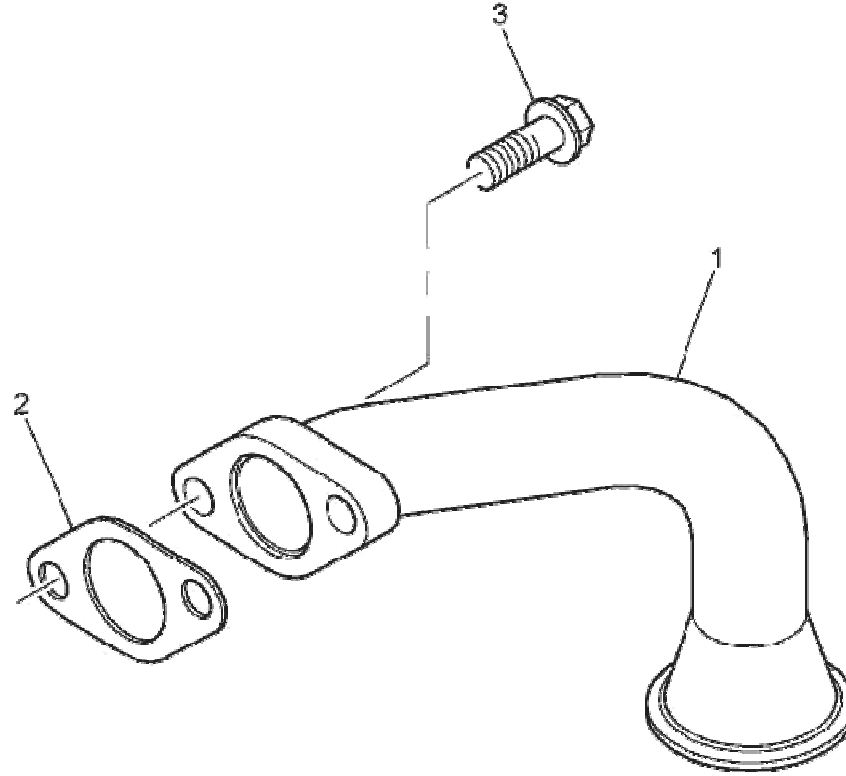
**FAN SÜRÜCÜ YATAđI, KASNAđI & KAYIđI /
FAN DRIVE HOUSING, PULLEY & BELT (M542)**



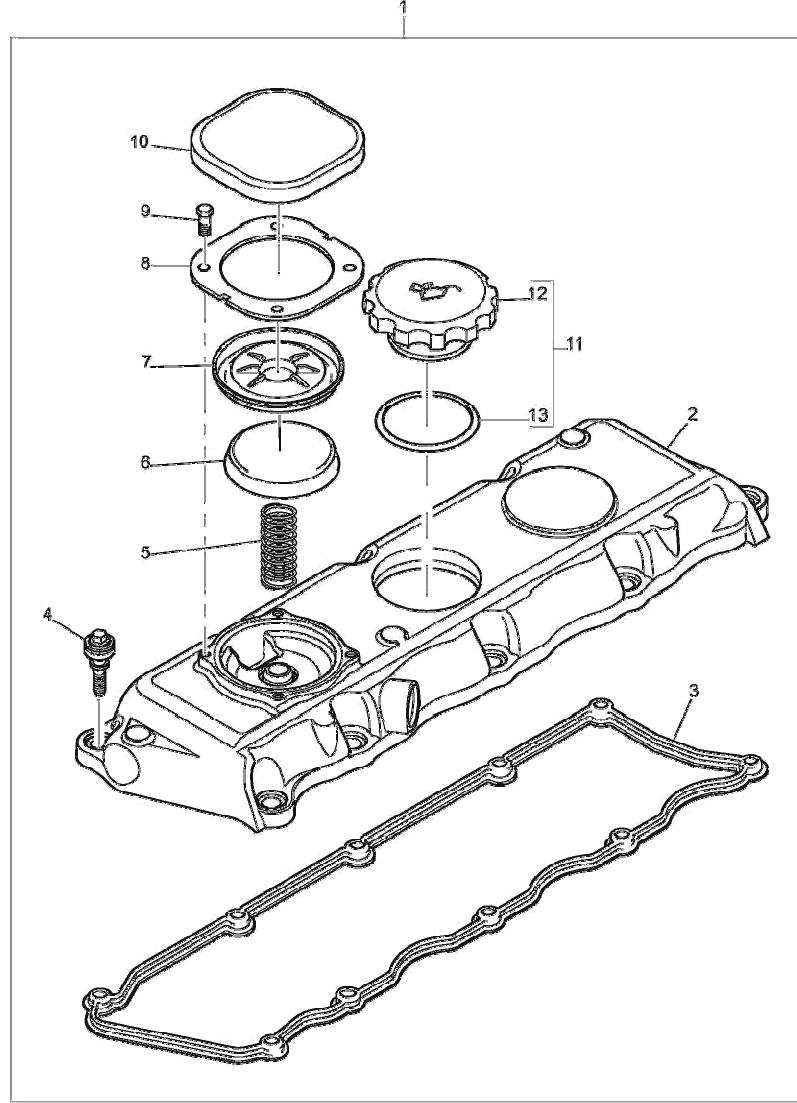
KARTER / SUMP



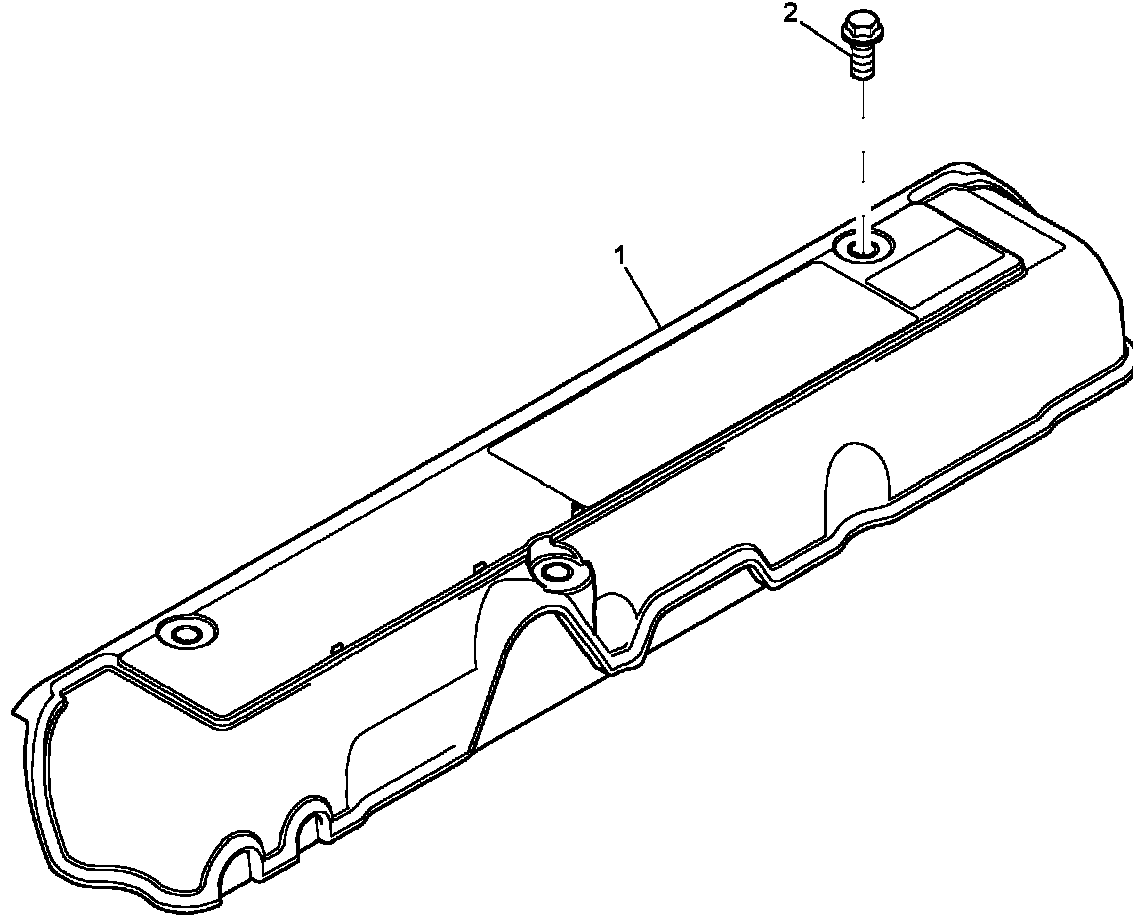


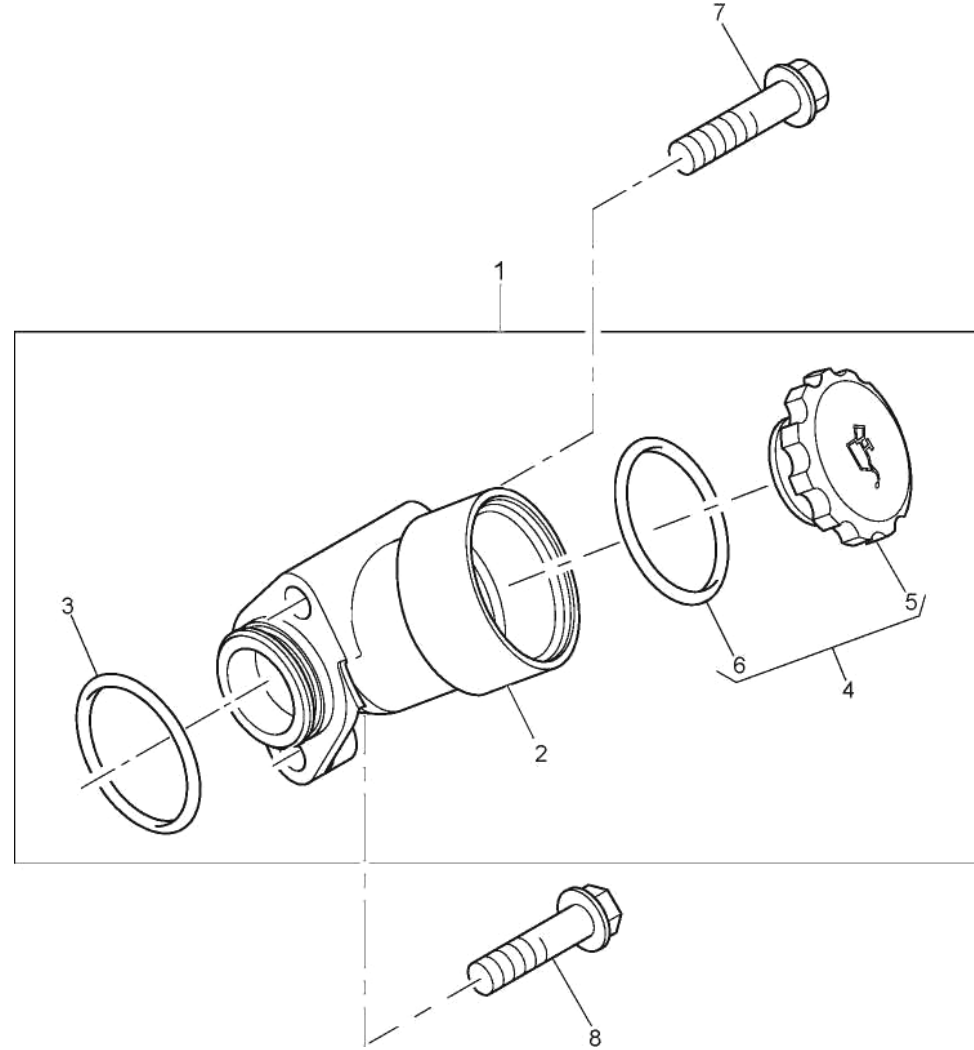


KÜLBÜTÖR KAPAđI / *CYLINDER HEAD COVER*

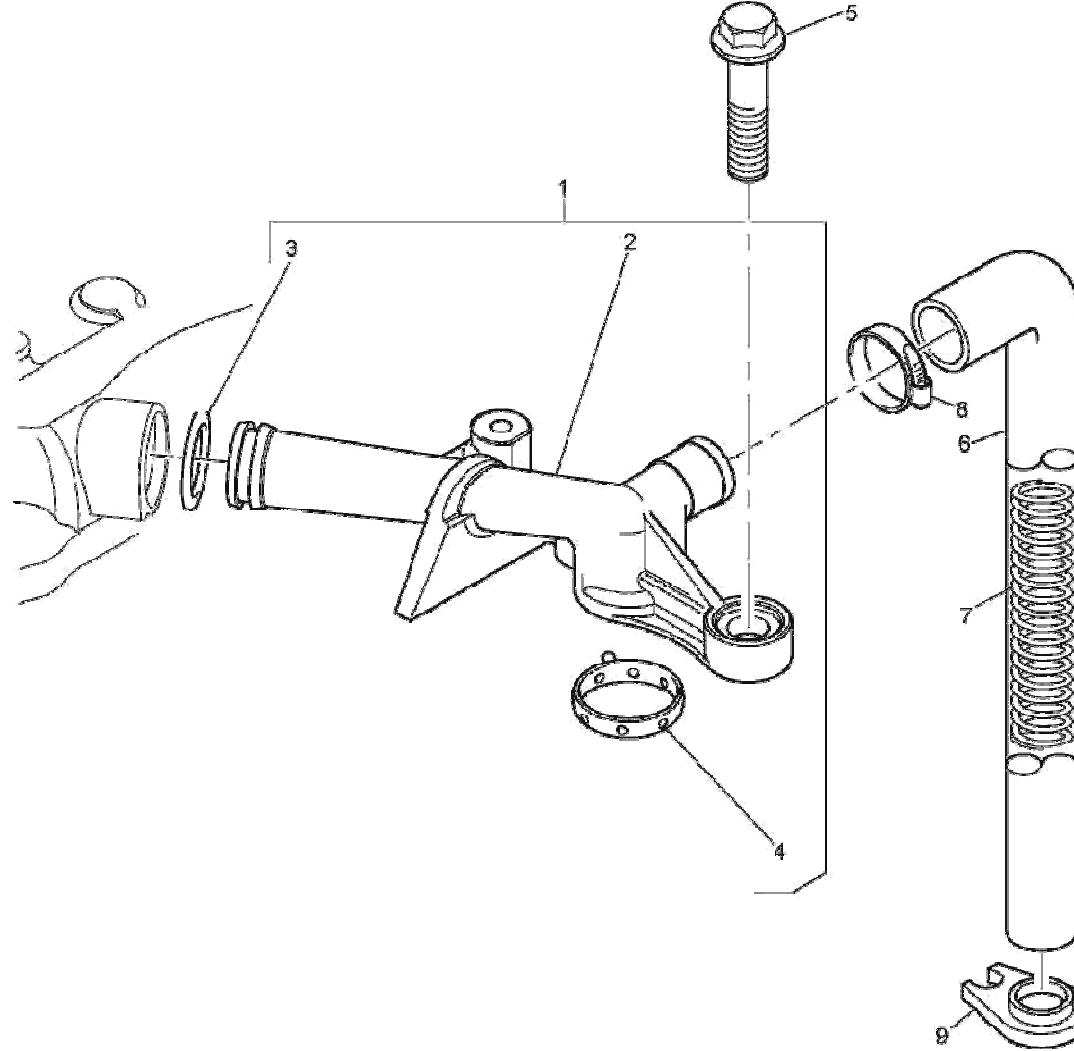


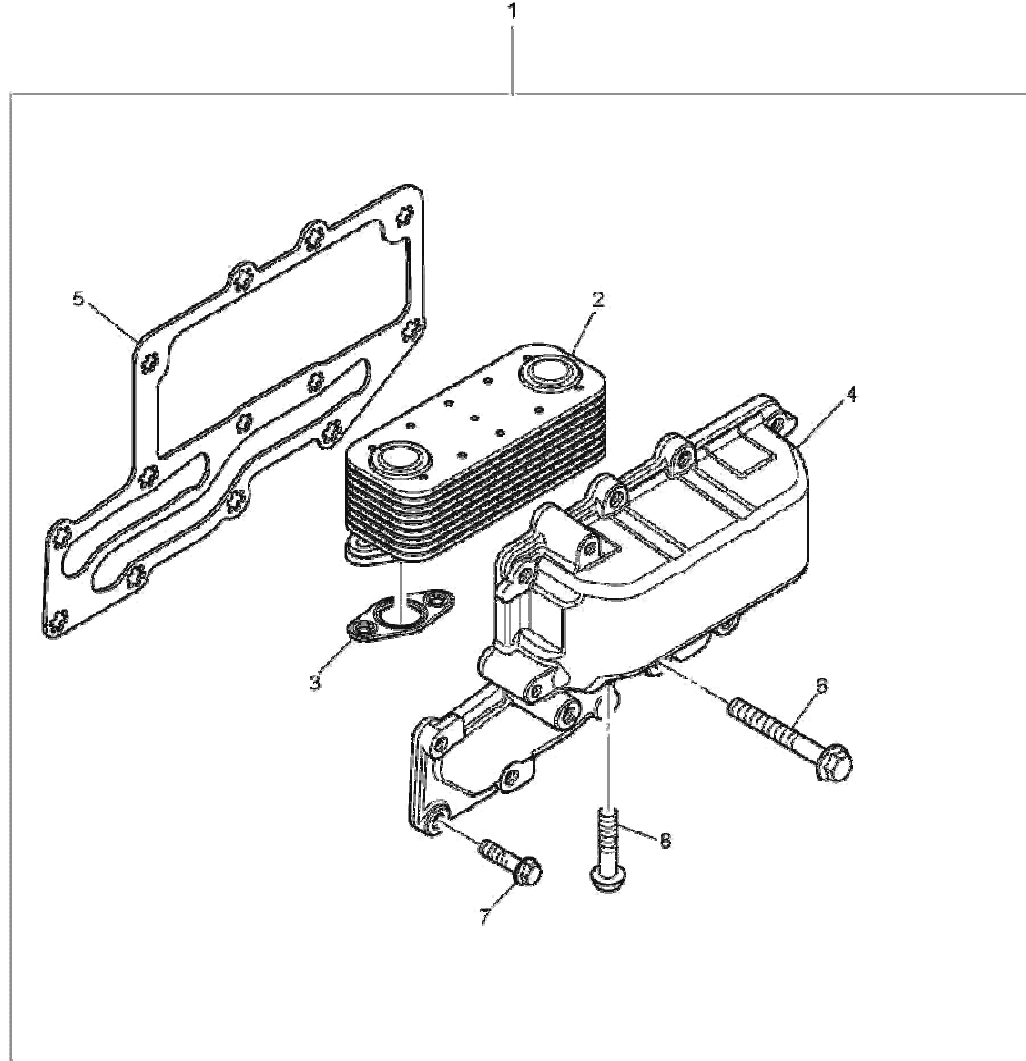
KÜLBÜTÖR KAPAđI / CYLINDER HEAD COVER

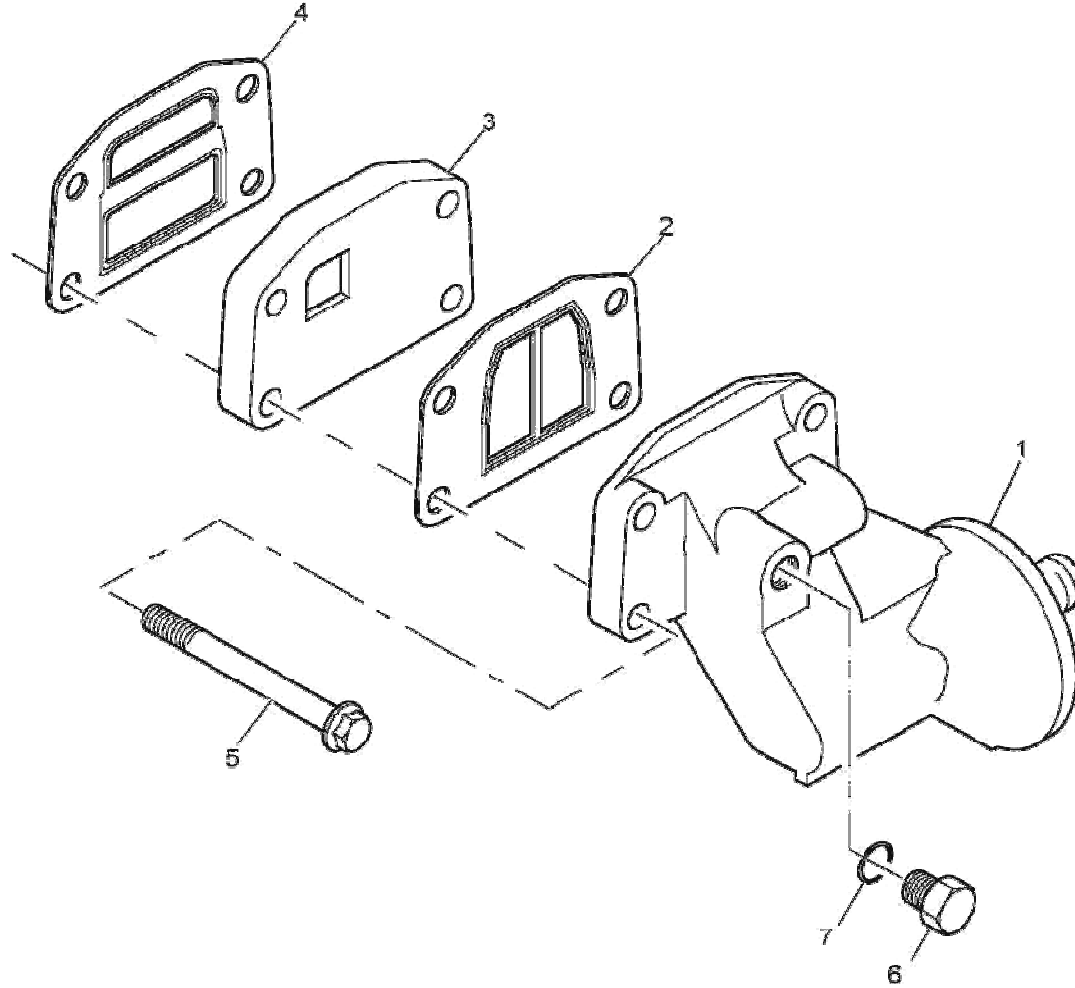


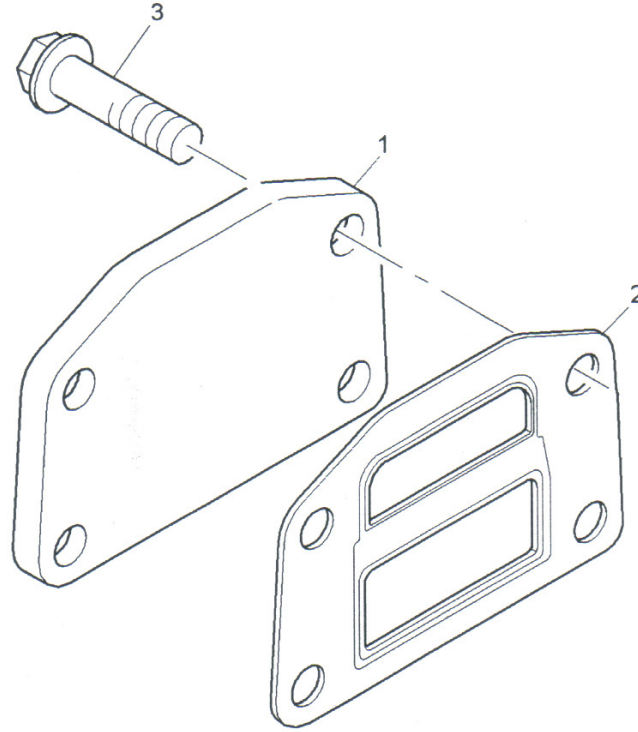


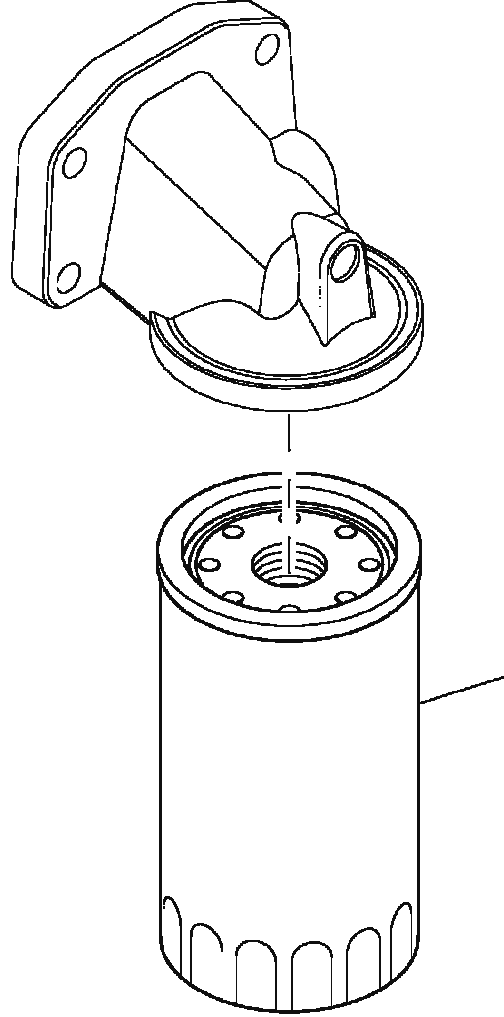
TAHLİYE BORUSU / BREATHER PIPE

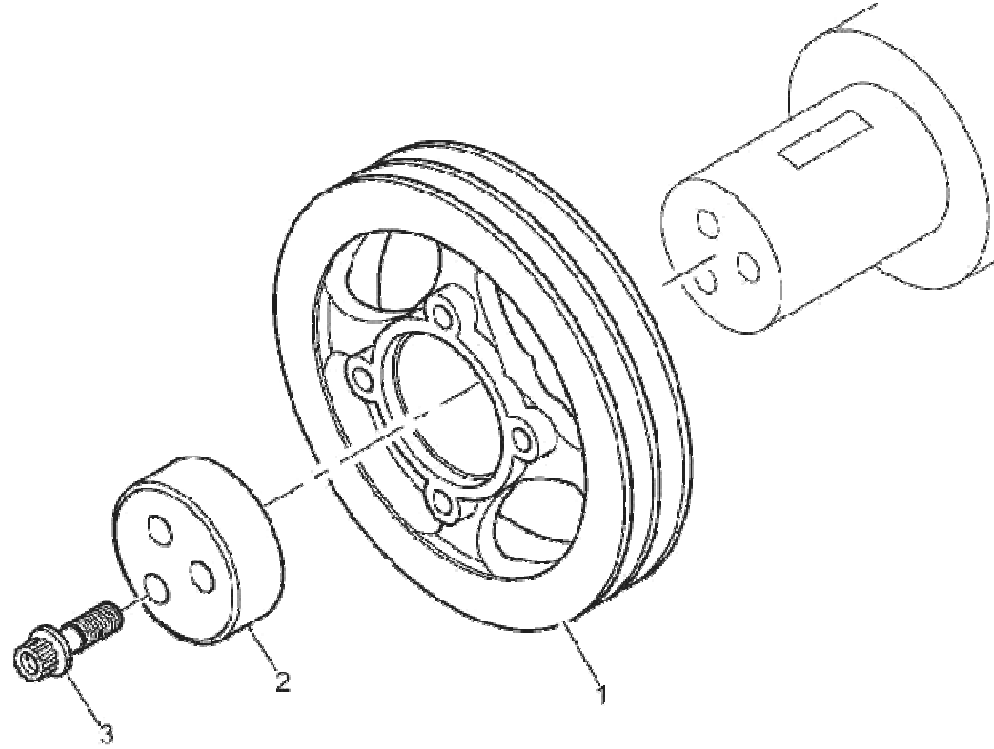




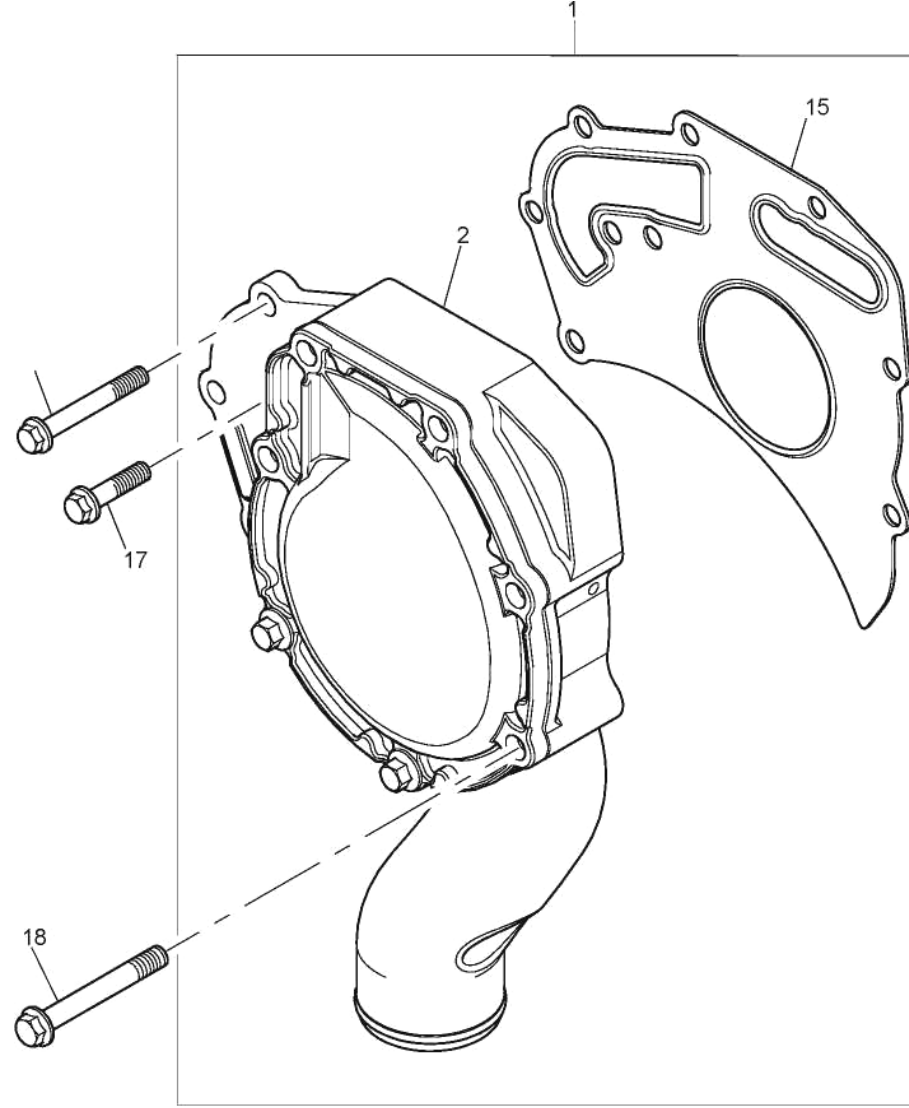


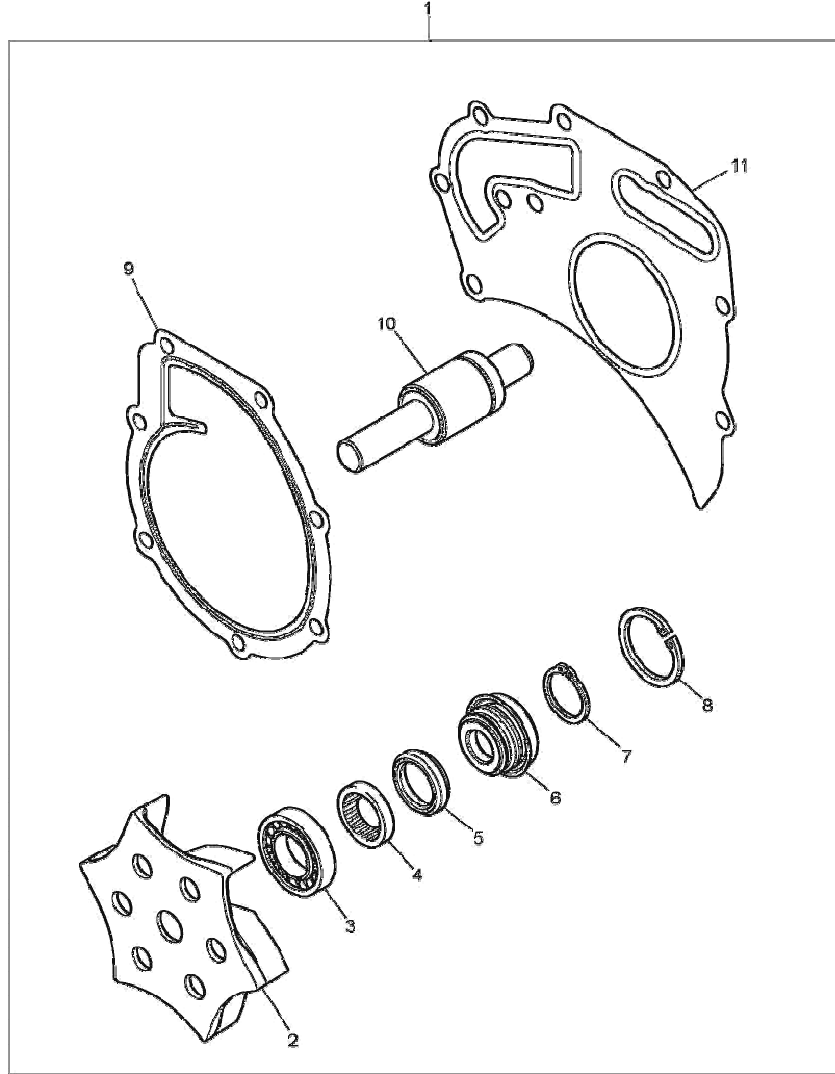


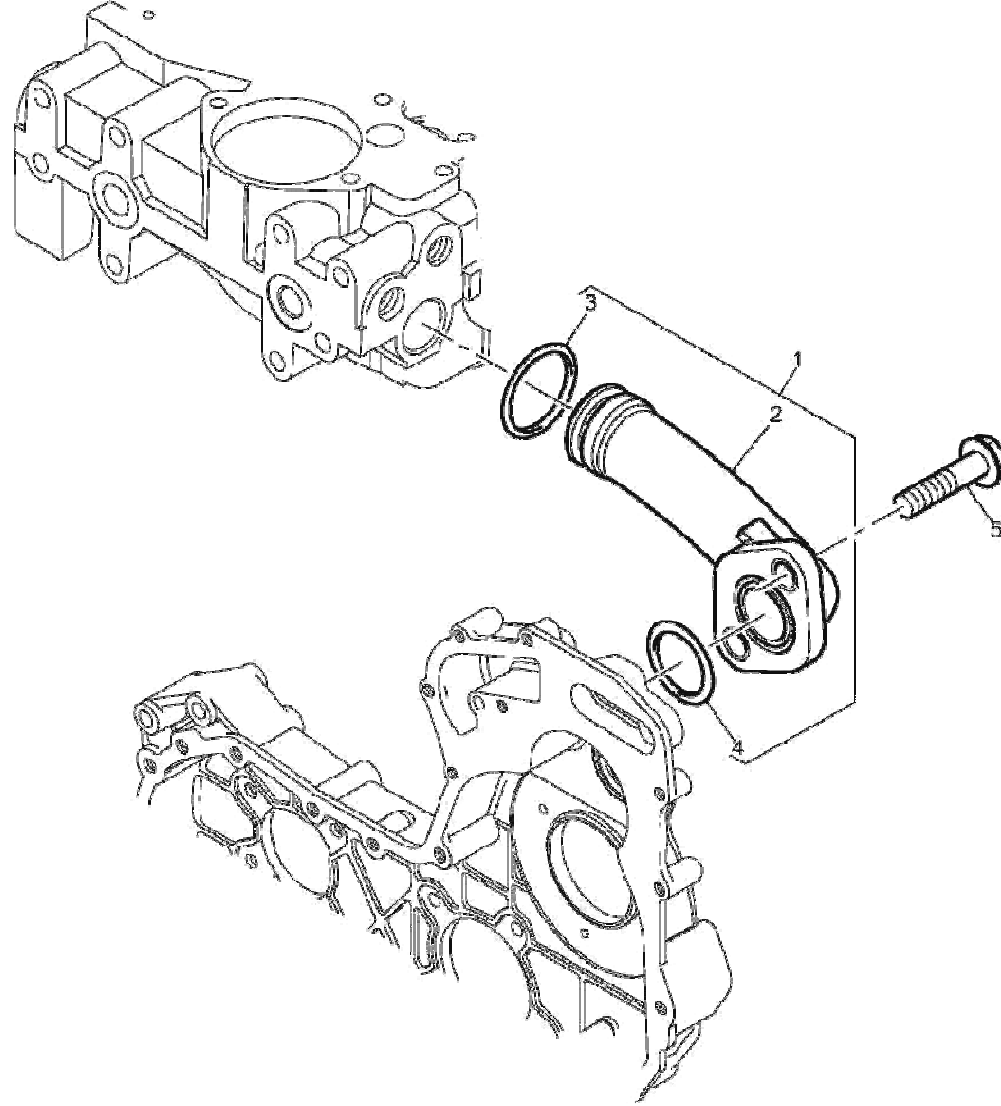


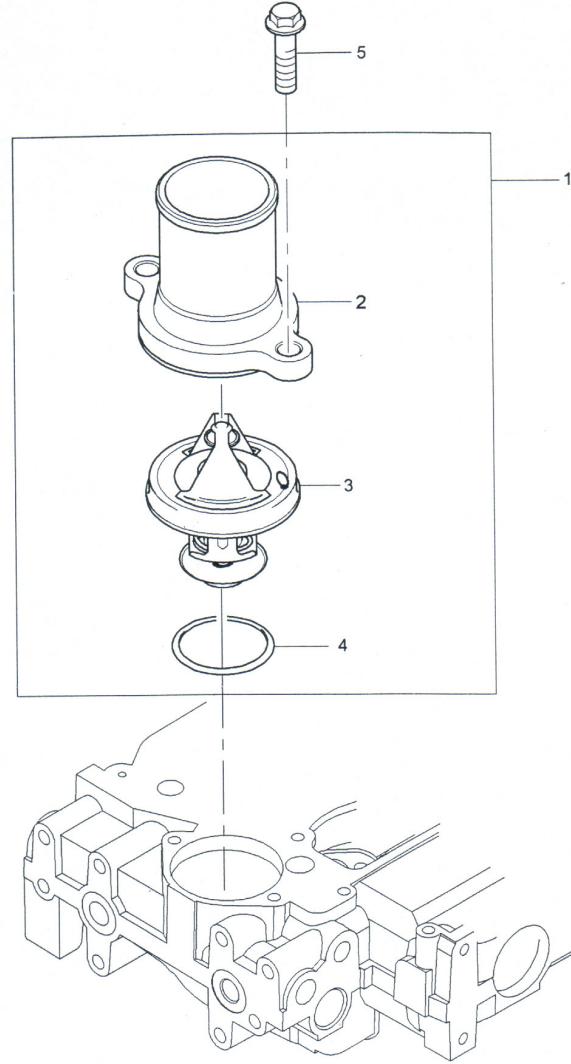


SU POMPASI / WATER PUMP

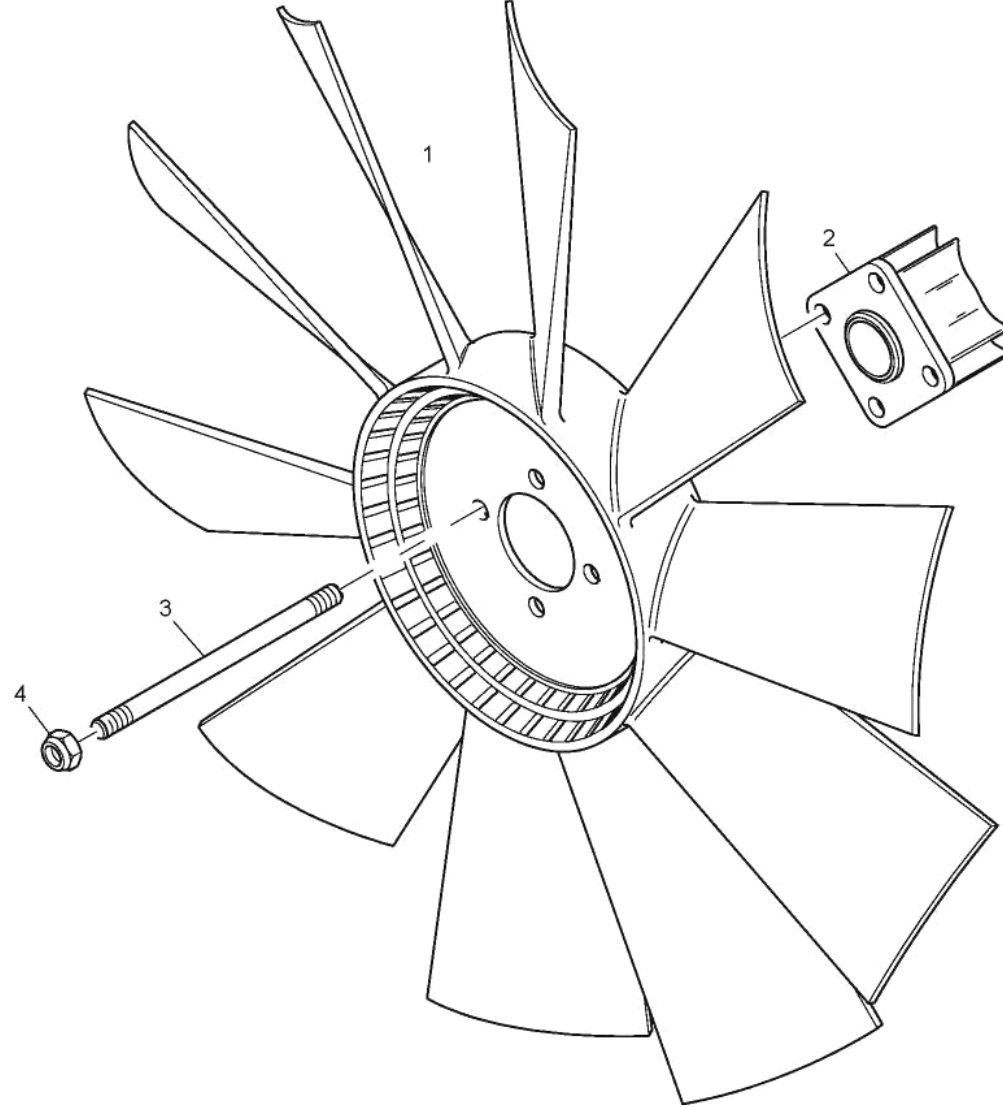




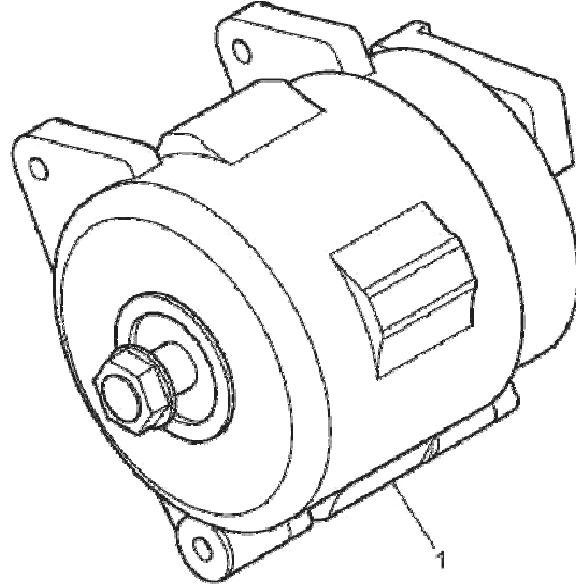


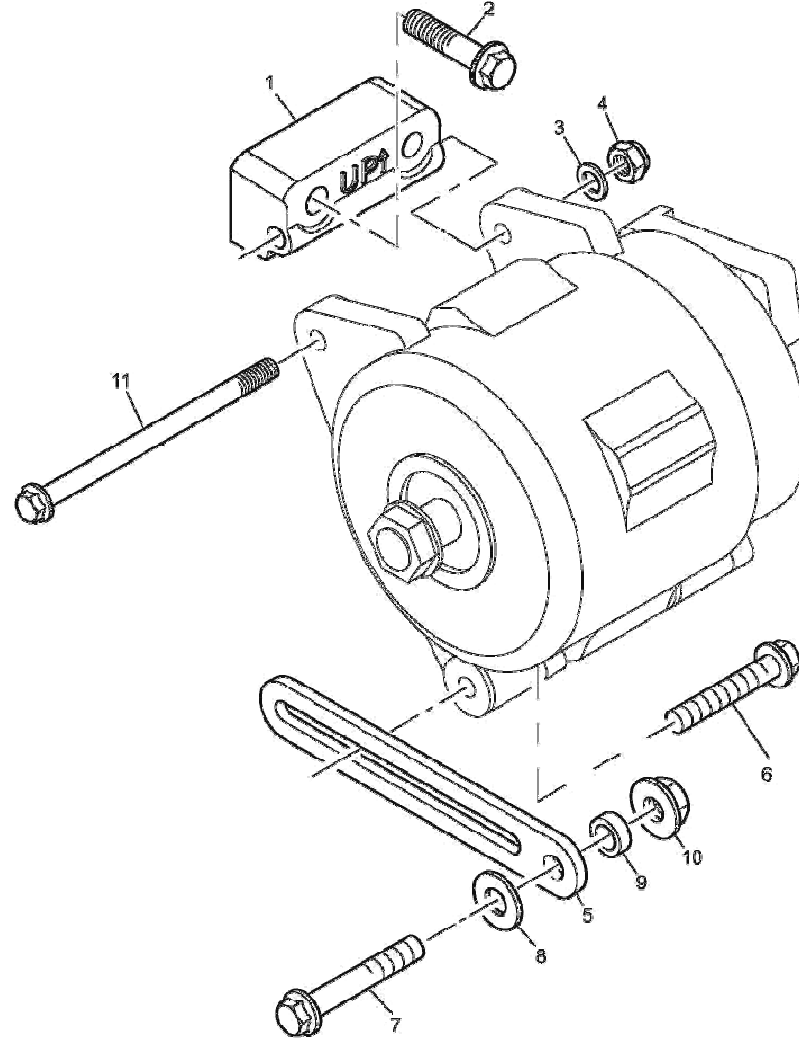


PERVANE / FAN

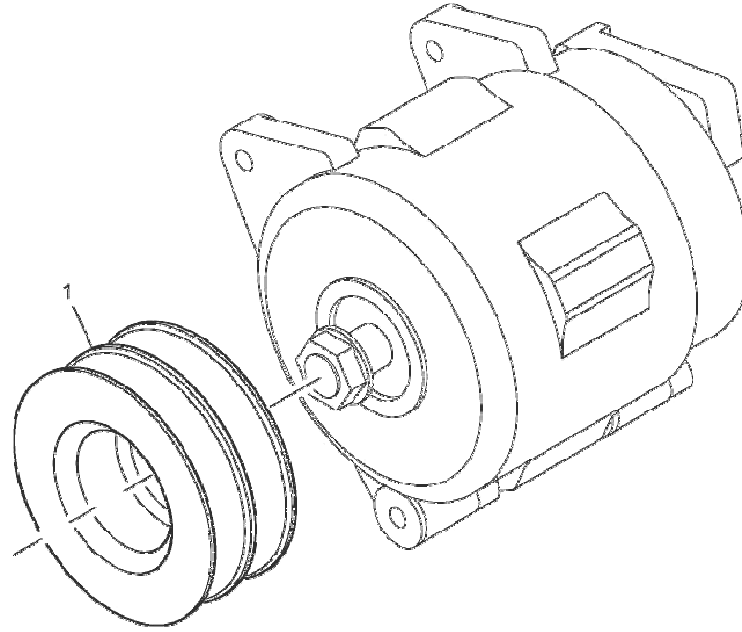


ALTERNATÖR / ALTERNATOR

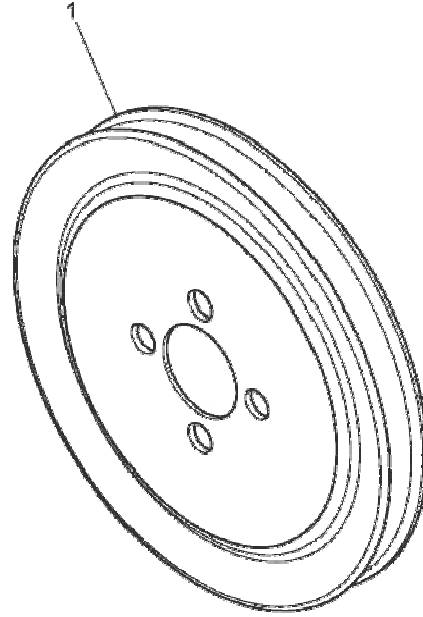


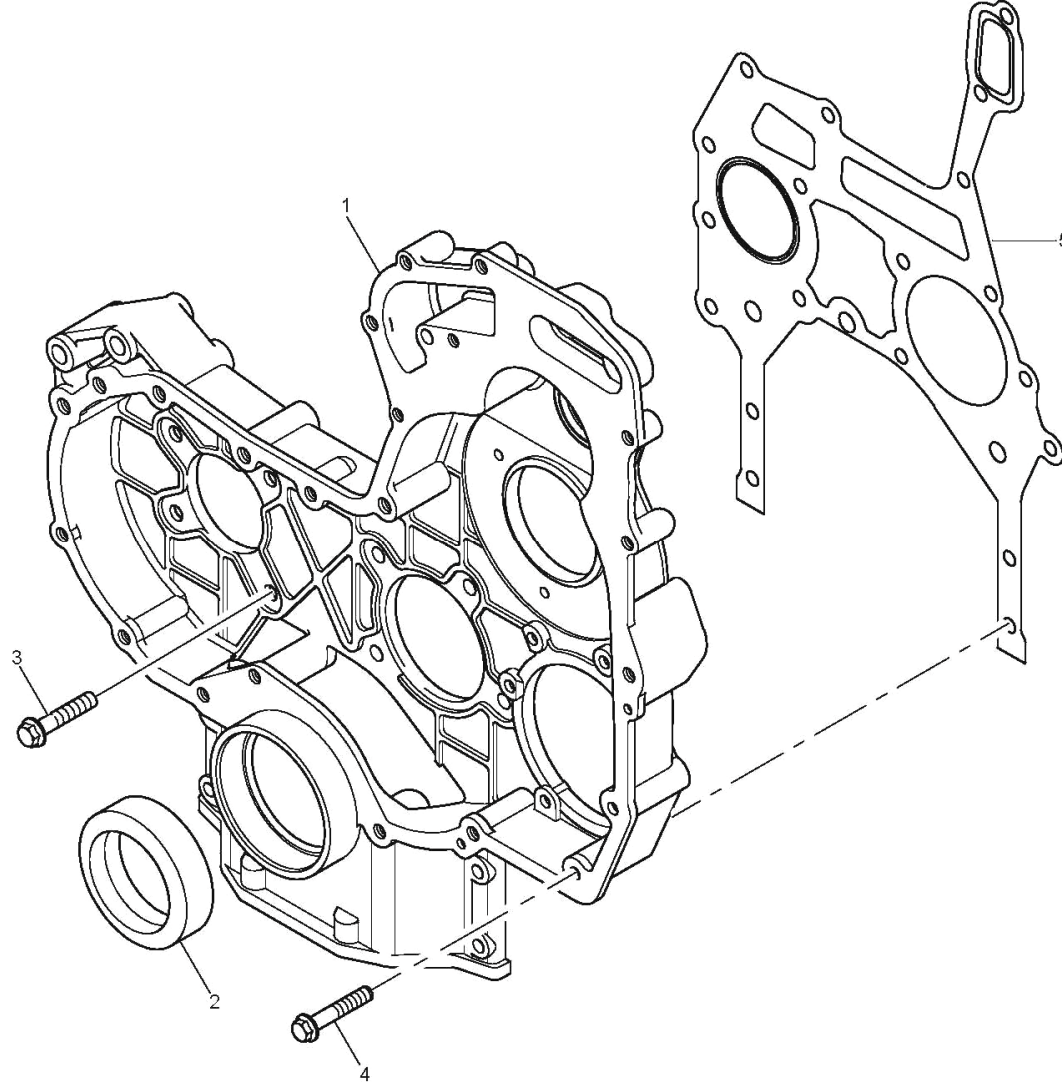


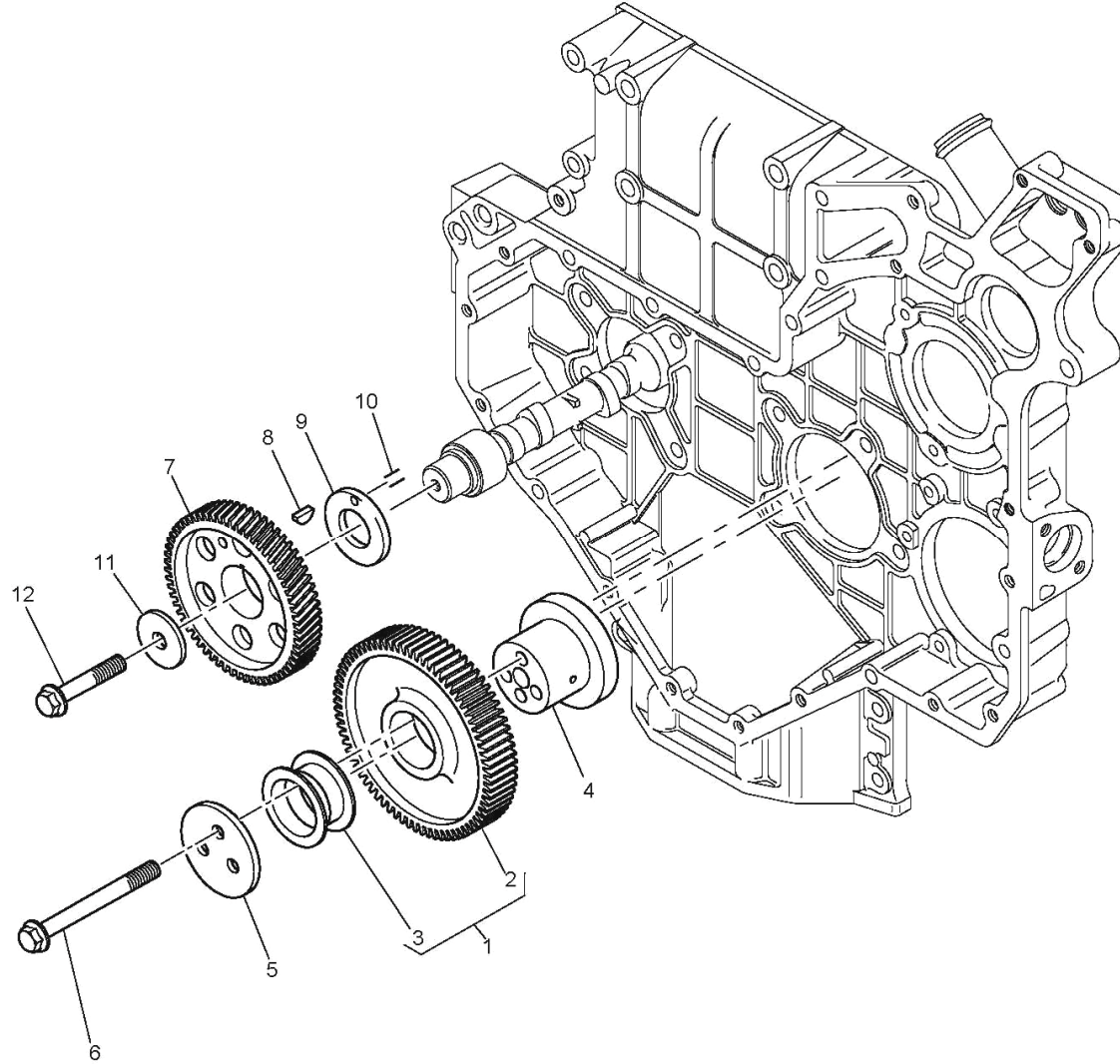
ALTERNATÖR KASNAđI / ALTERNATOR PULLEY



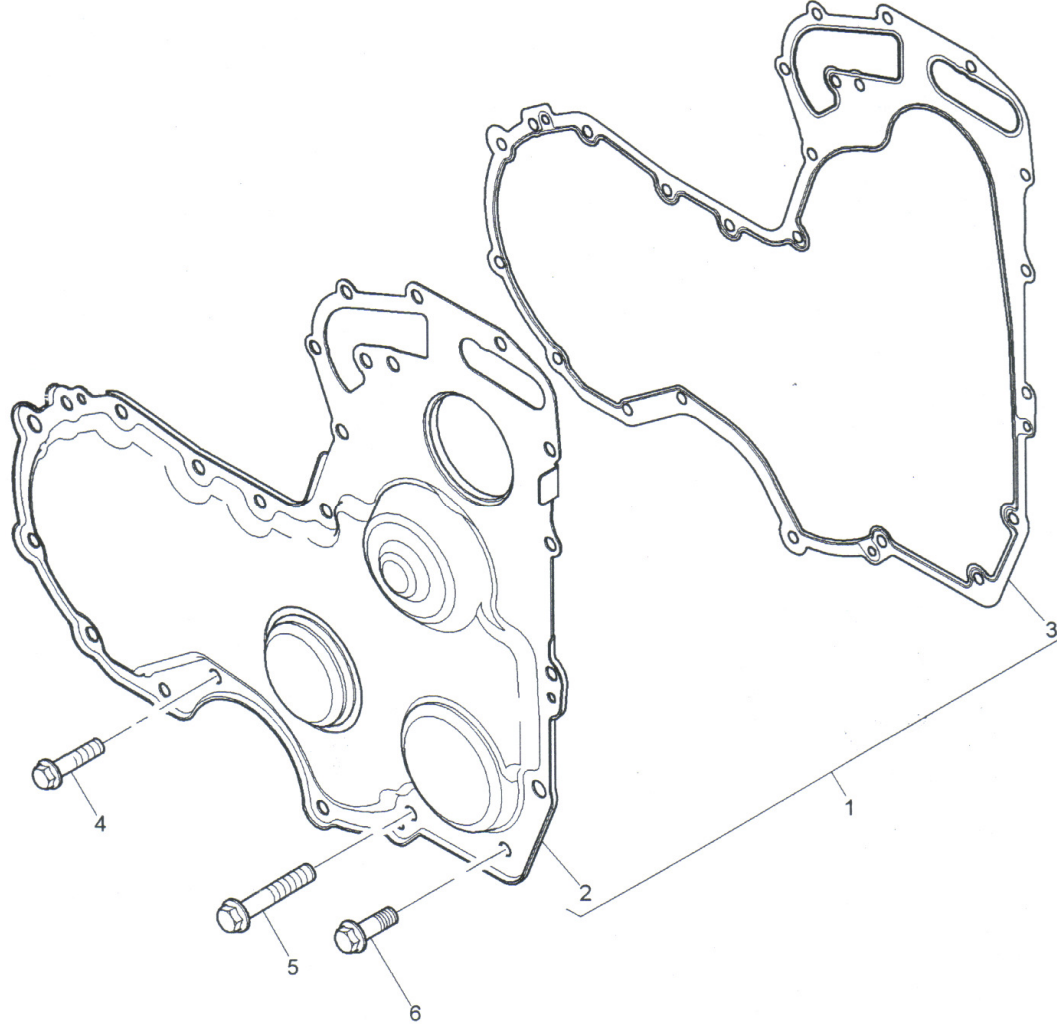
YARDIMCI KASNAK / AUXILIARY DRIVE



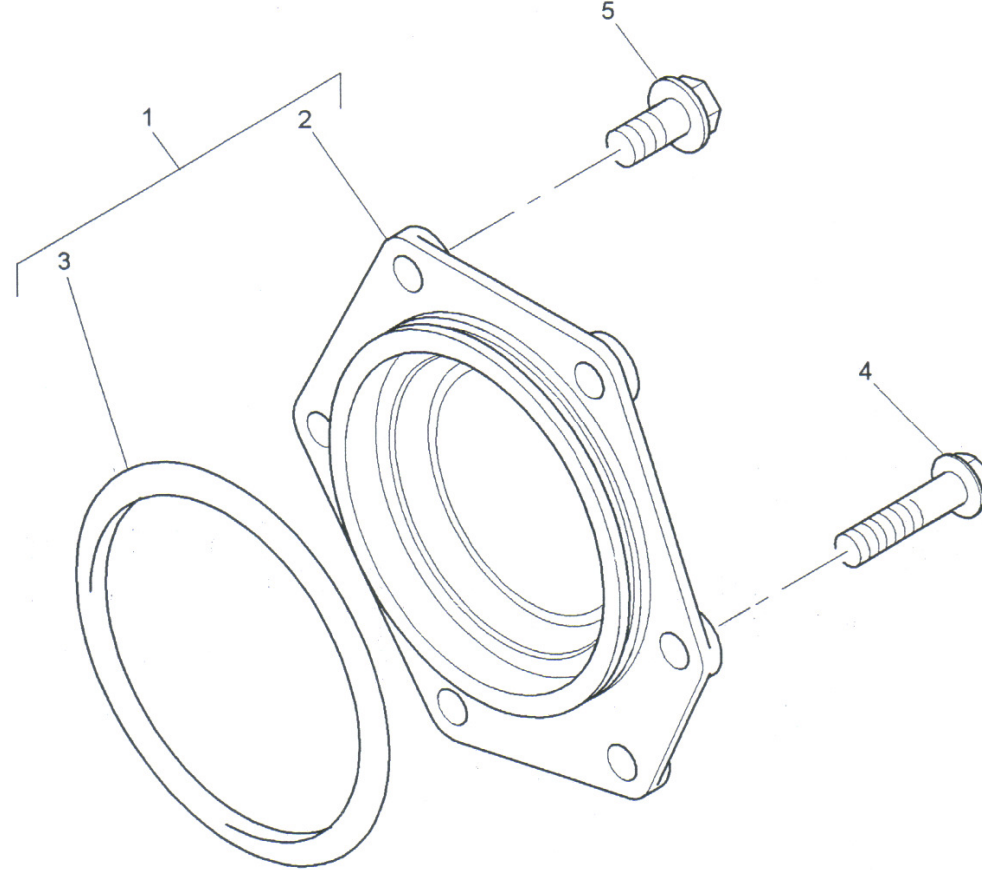


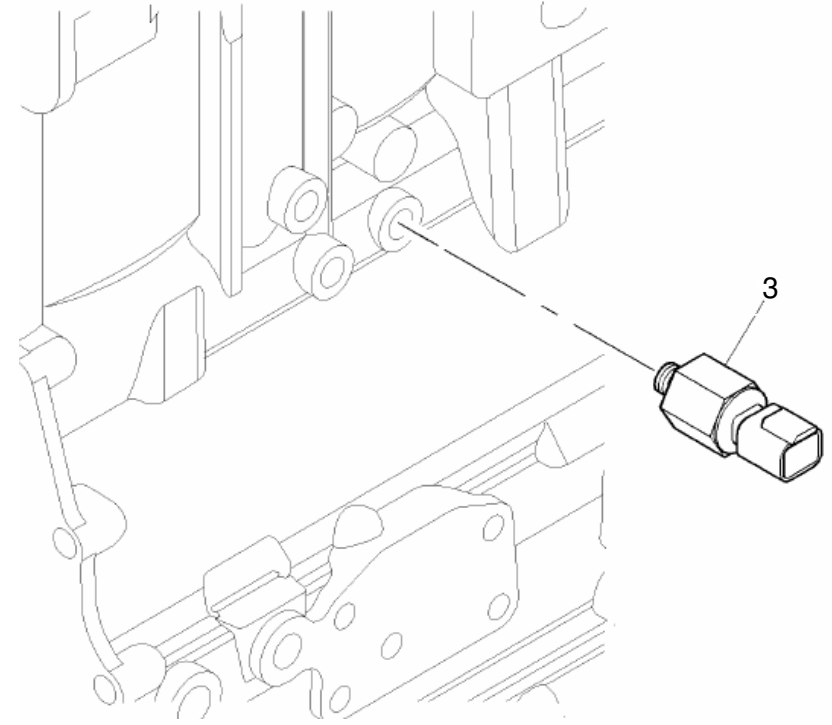
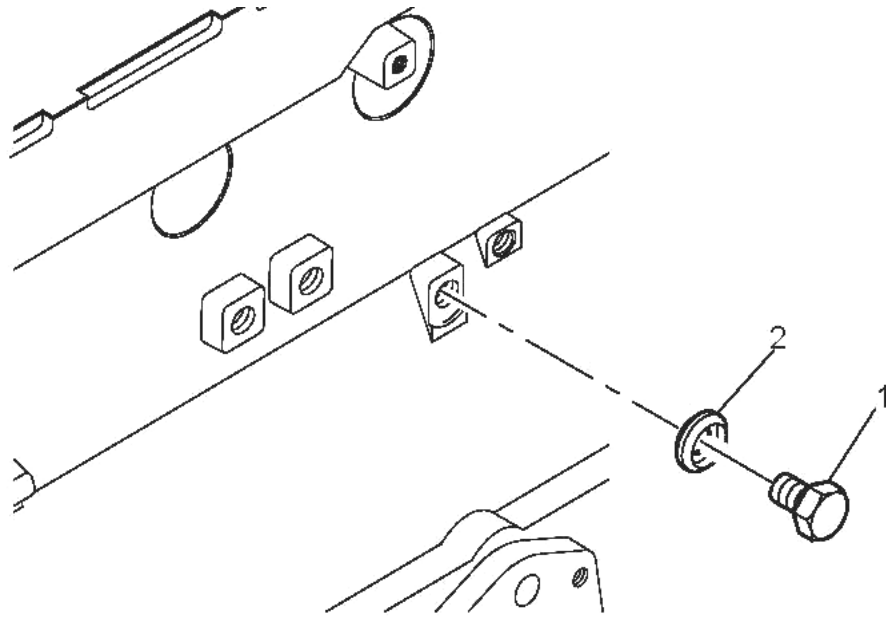


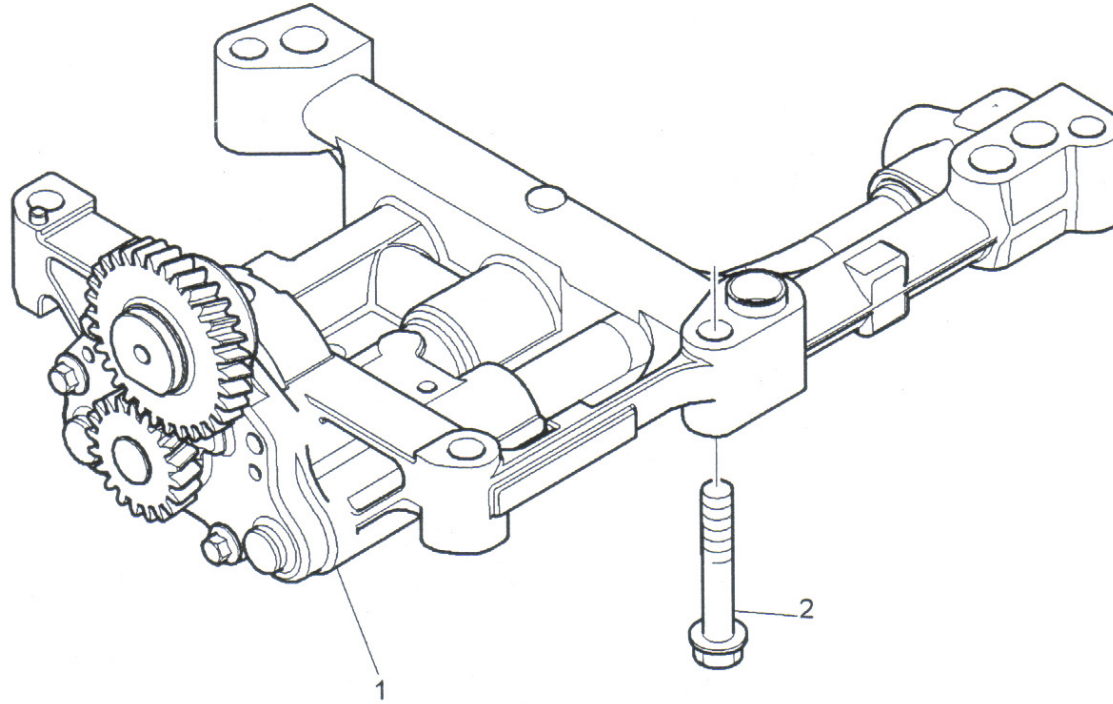
ZAMANLAMA DİŐLİŐ KAPAĐI / TIMING GEAR COVER

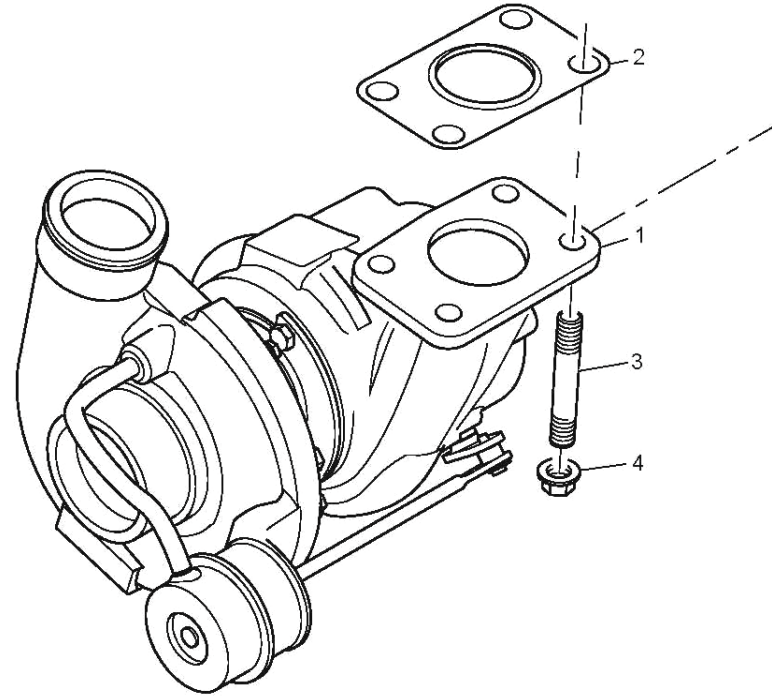


SIKMA PLAKASI / BLANKING PLATE

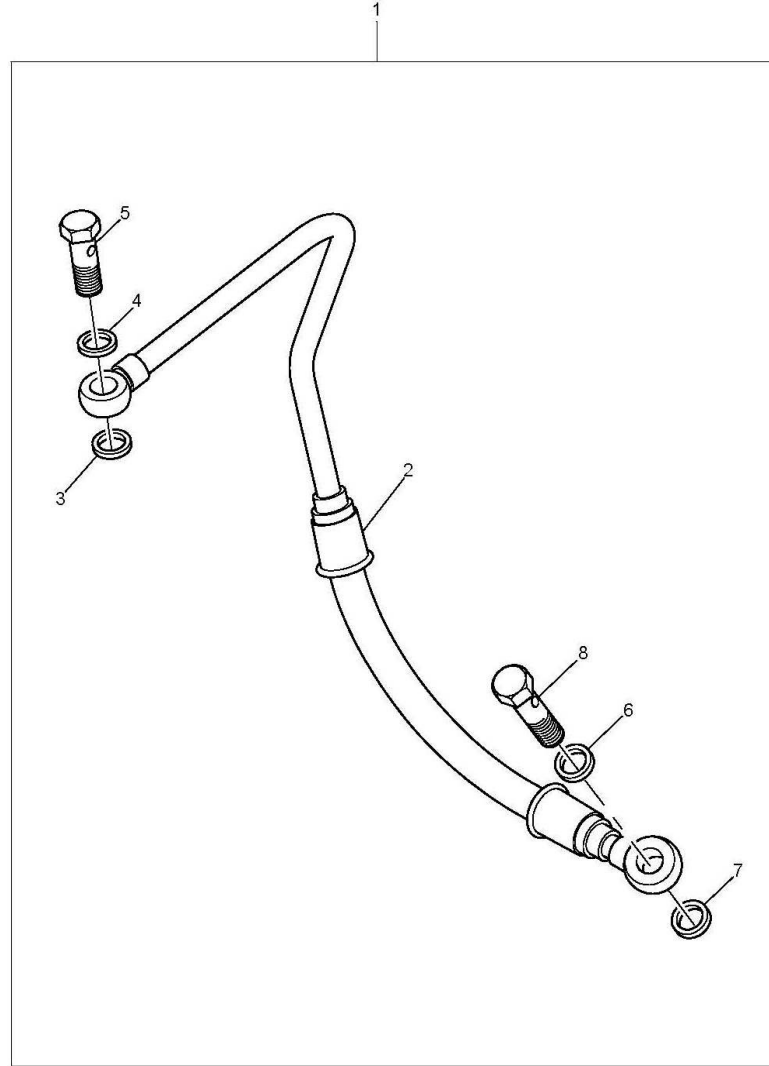


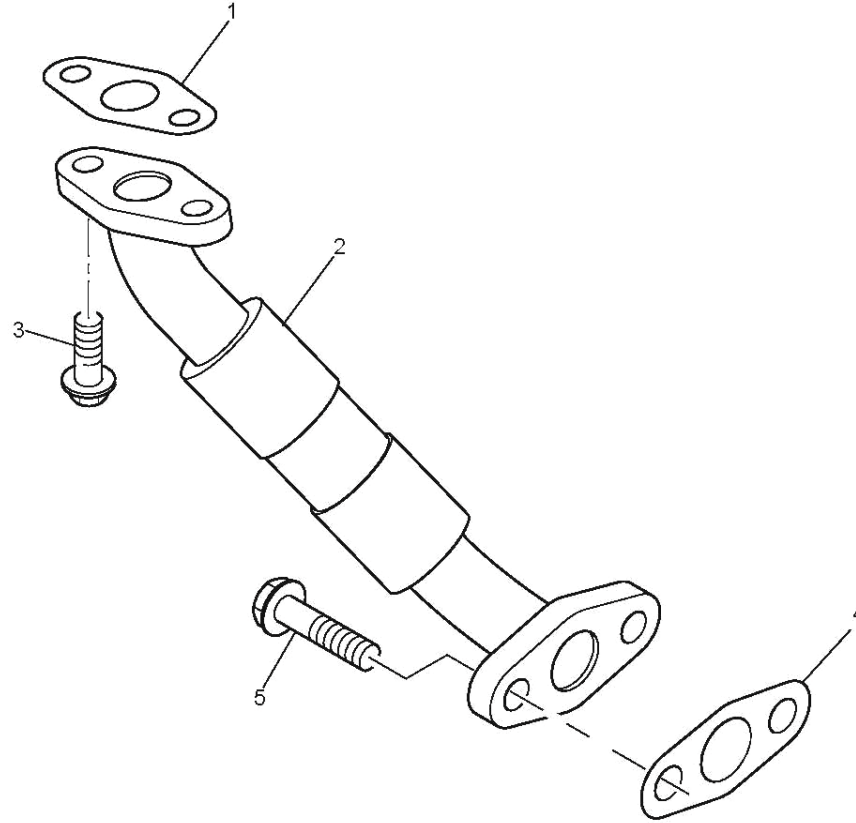




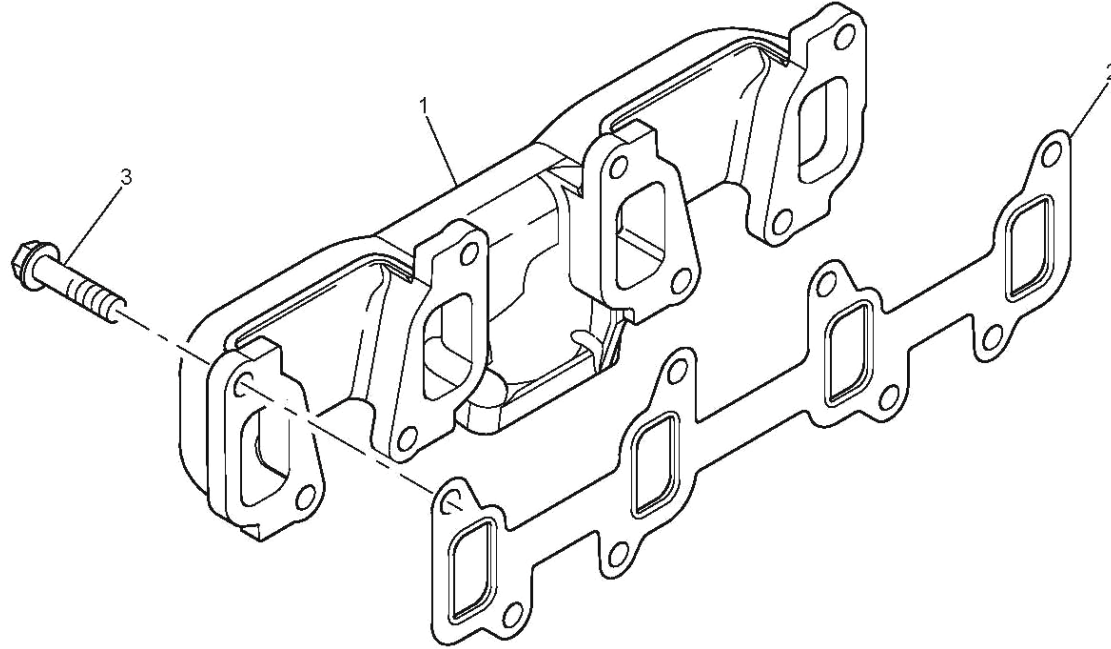


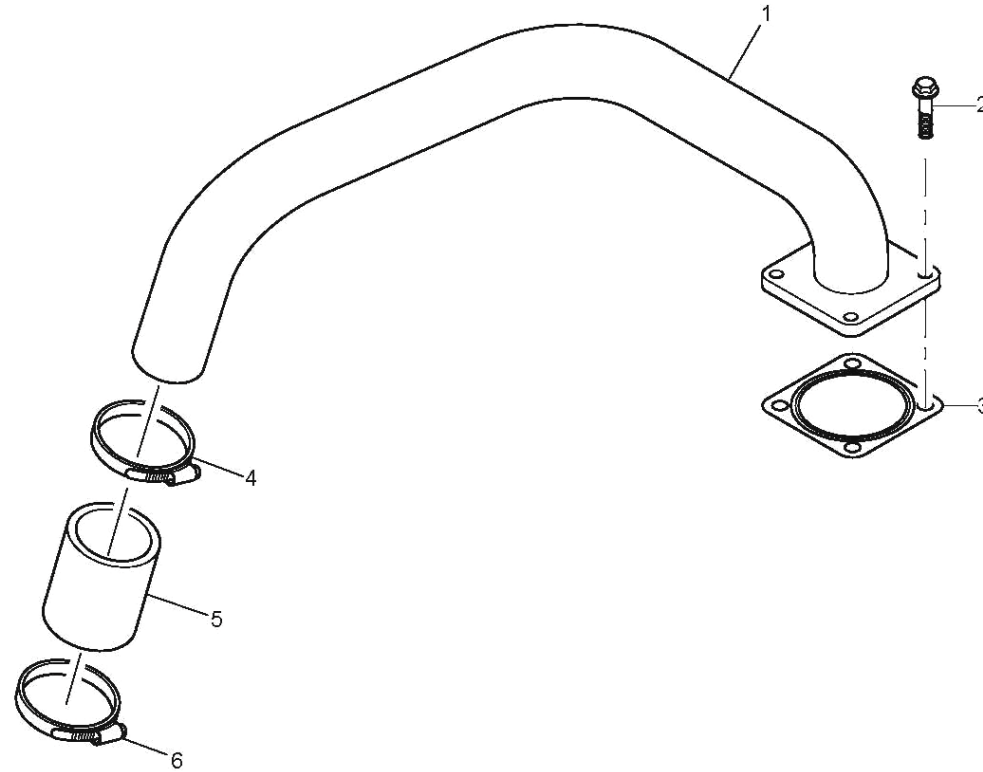
TURBO YAĐ BESLEME BORUSU / TURBO FEED PIPE

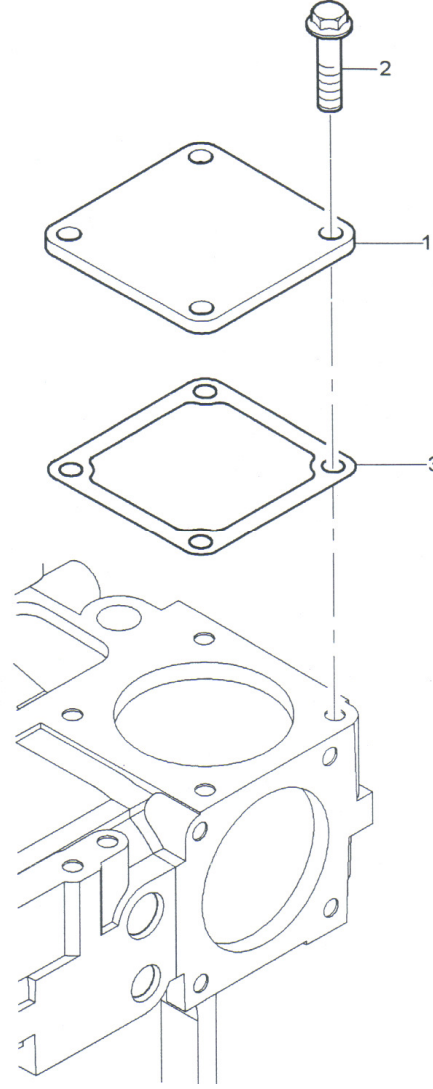


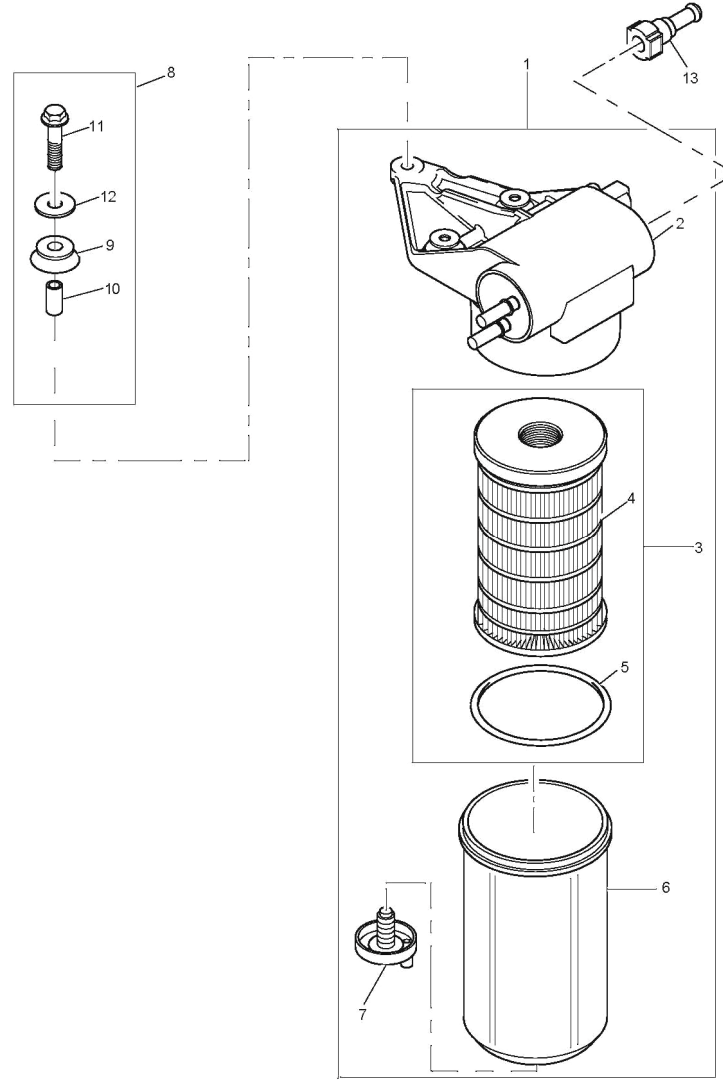


EGZOZ MANİFOLDU / EXHAUST MANIFOLD

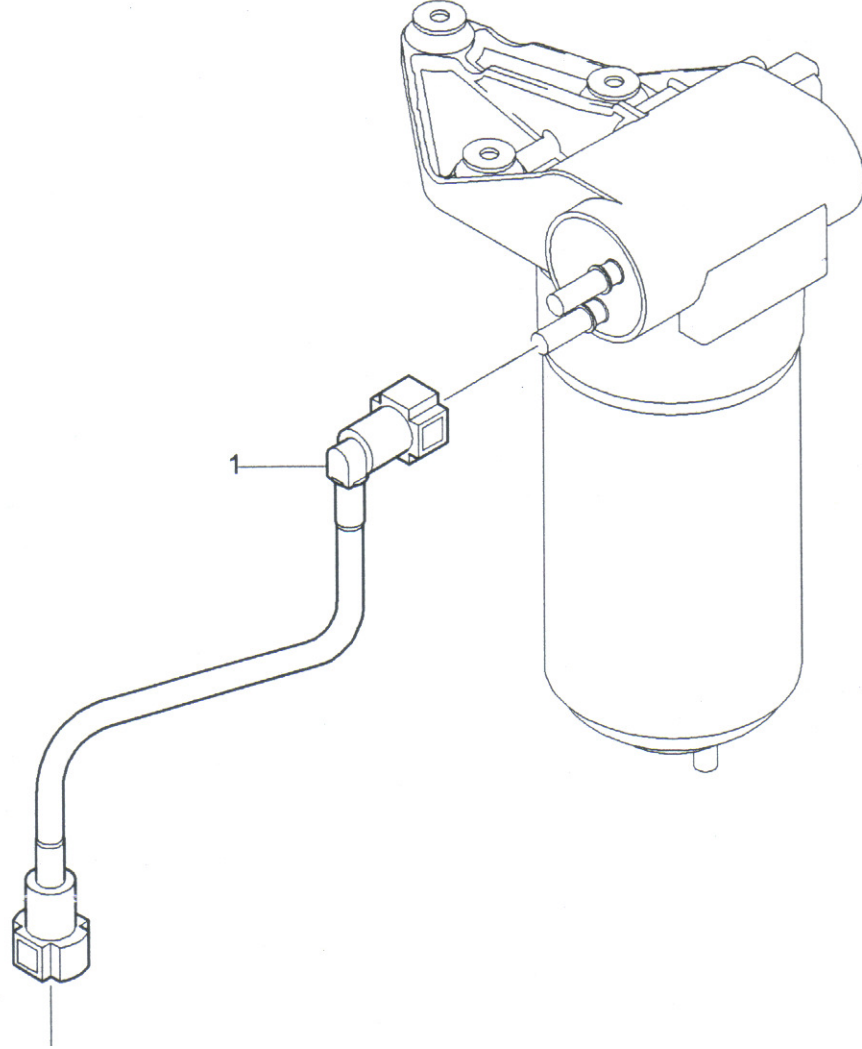




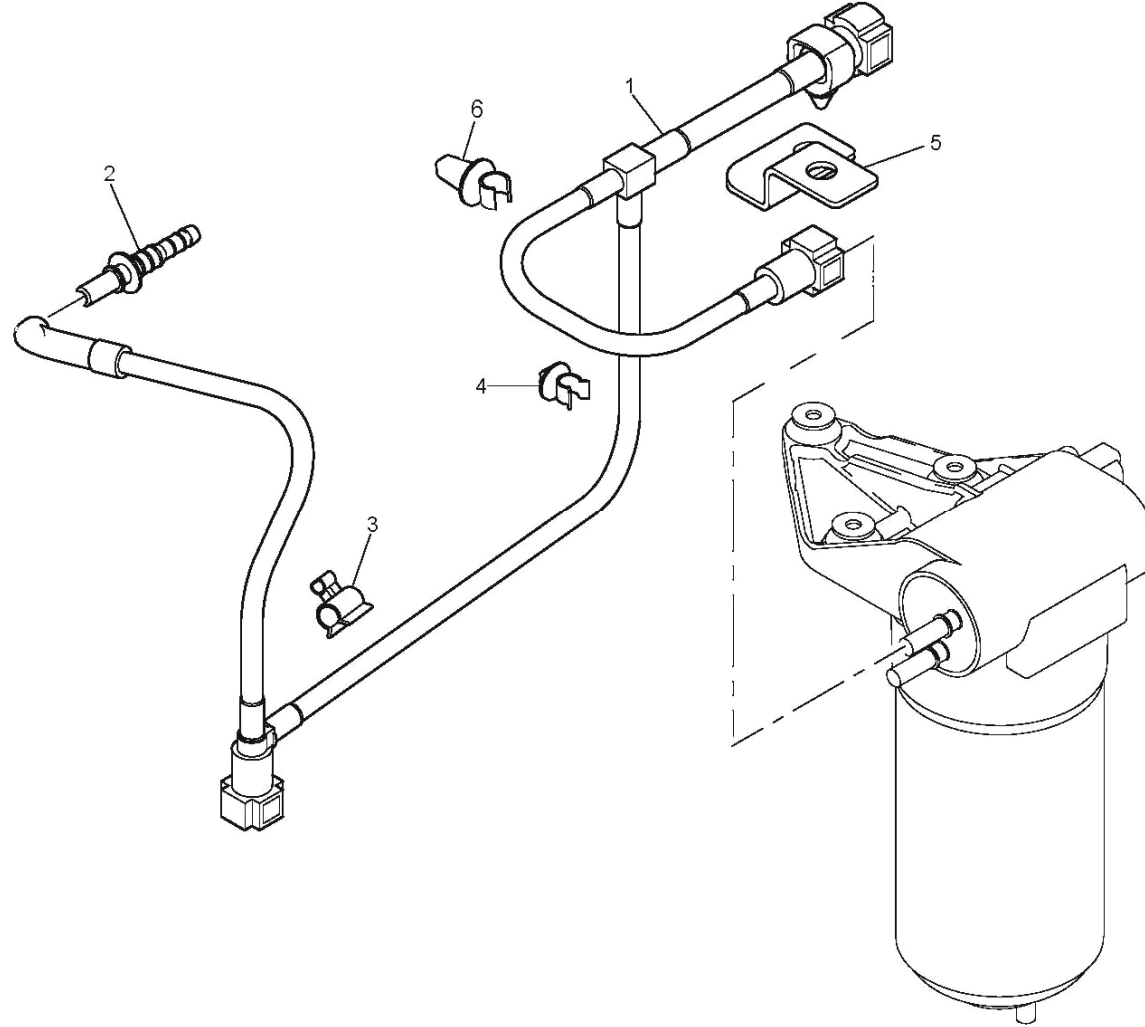


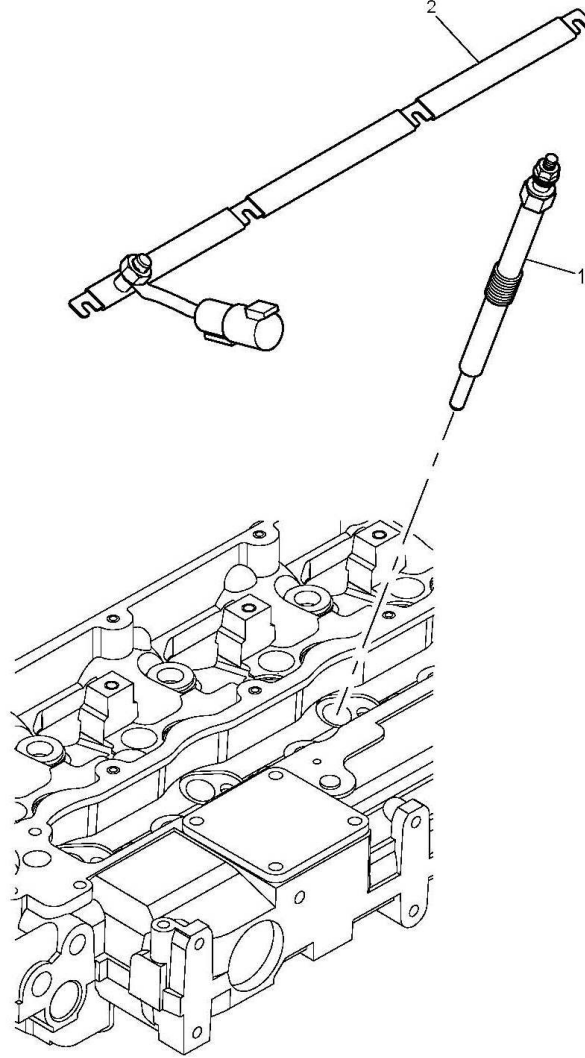


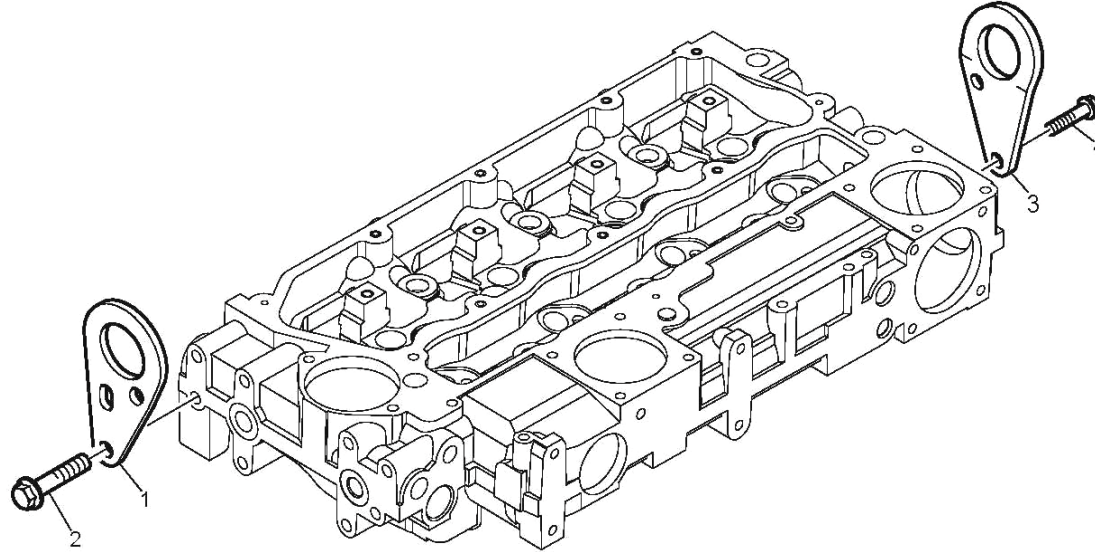
**BORU, YAKIT FİLTRESİ - ENJEKSİYON POMPASI /
FILTER TO INJECTION PUMP PIPE**



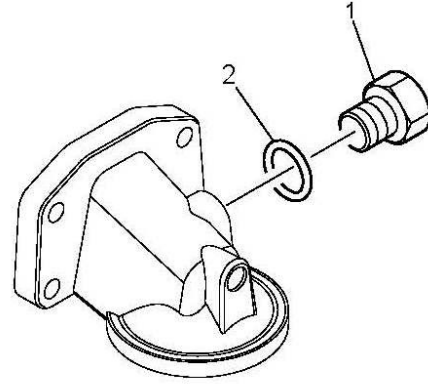
**BORU, ENJEKSİYON POMPASI - YAKIT FİLTRESİ /
INJECTION PUMP TO FILTER PIPE**

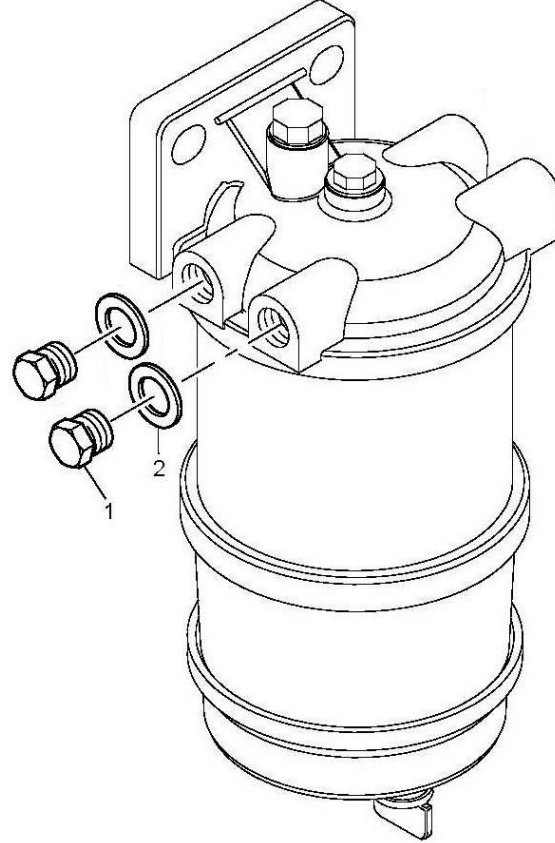


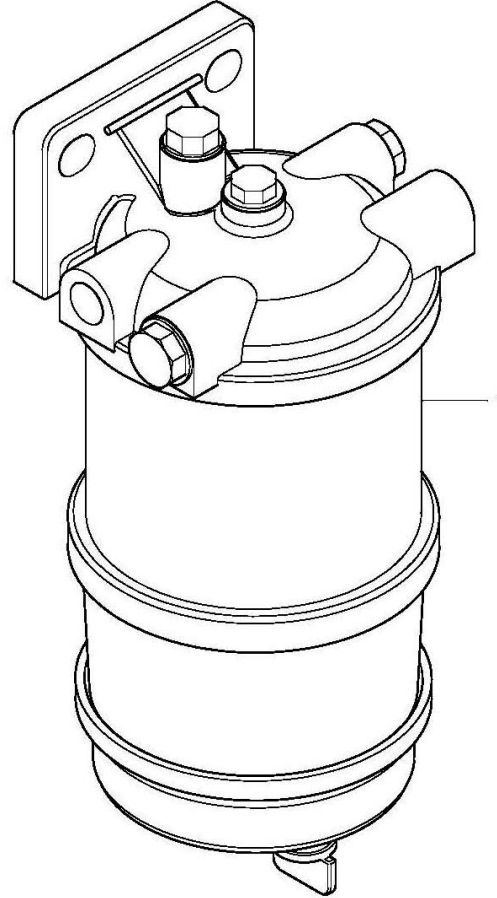




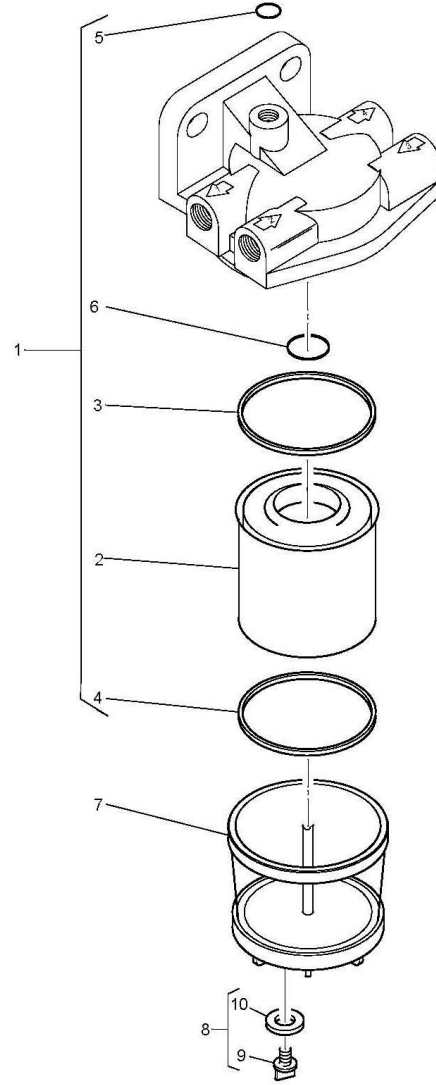
**YAĐ BASINÇ ÖLÇÜMÜ - BASINÇ HATTI /
LUBRICATING OIL PRESSURE SWITCH - GAUGE**

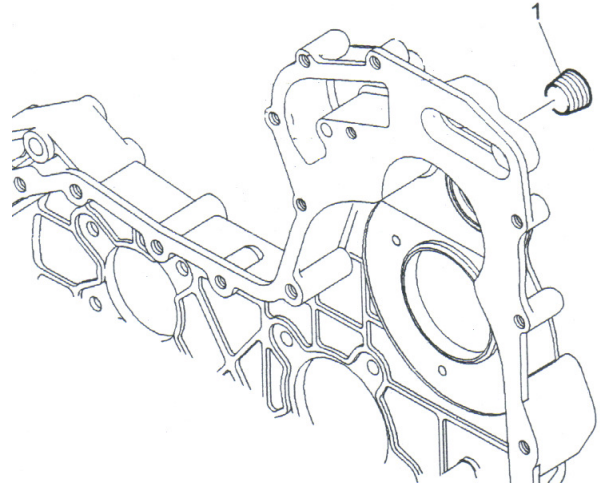
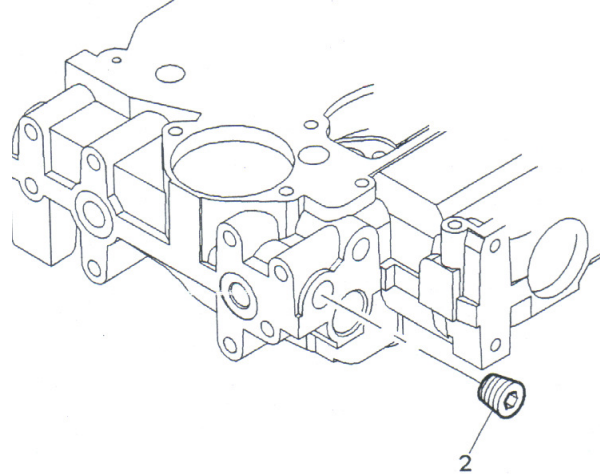






YAKIT - SU AYIRICI / WATER TRAP





1

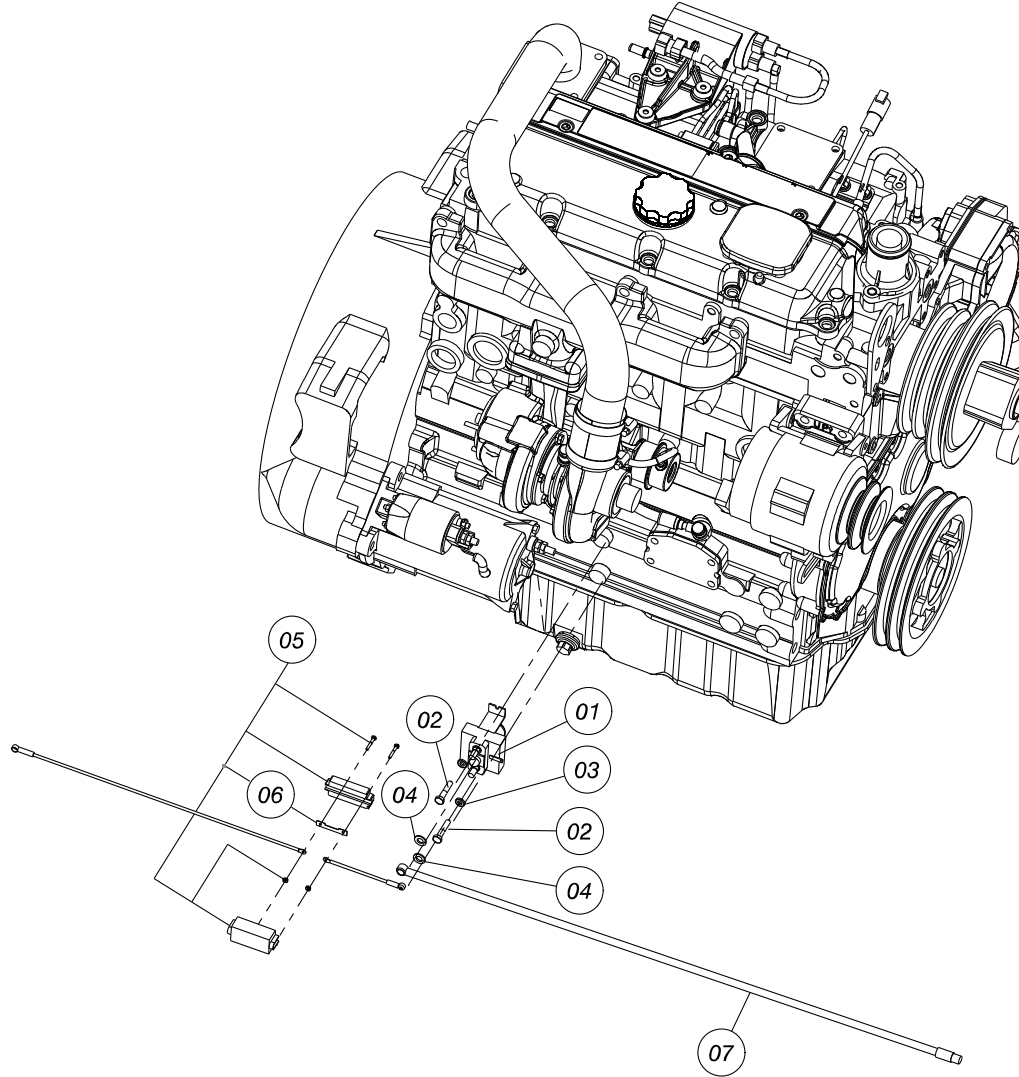
ÜST CONTA TAMİR TAKIMI

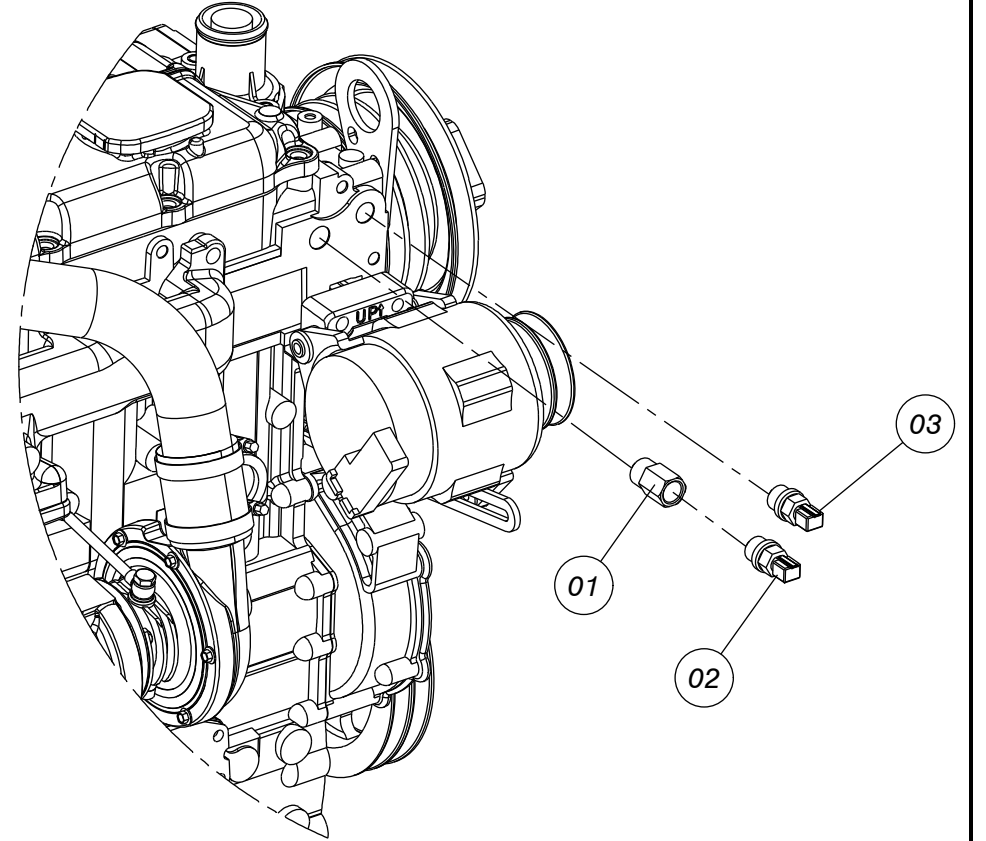
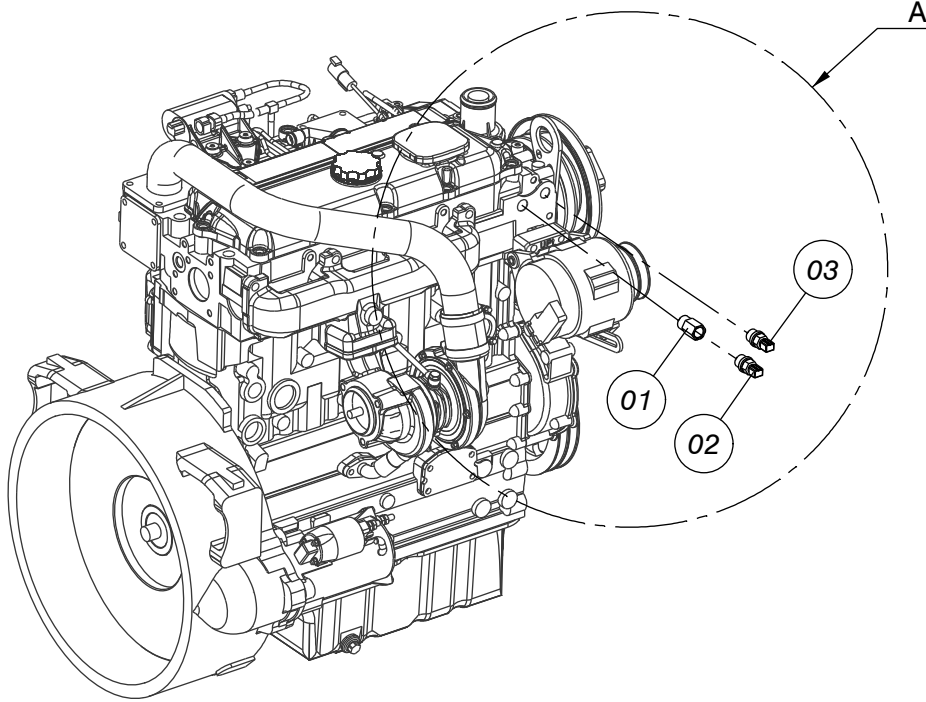
TOP GASKET SERVICE KIT

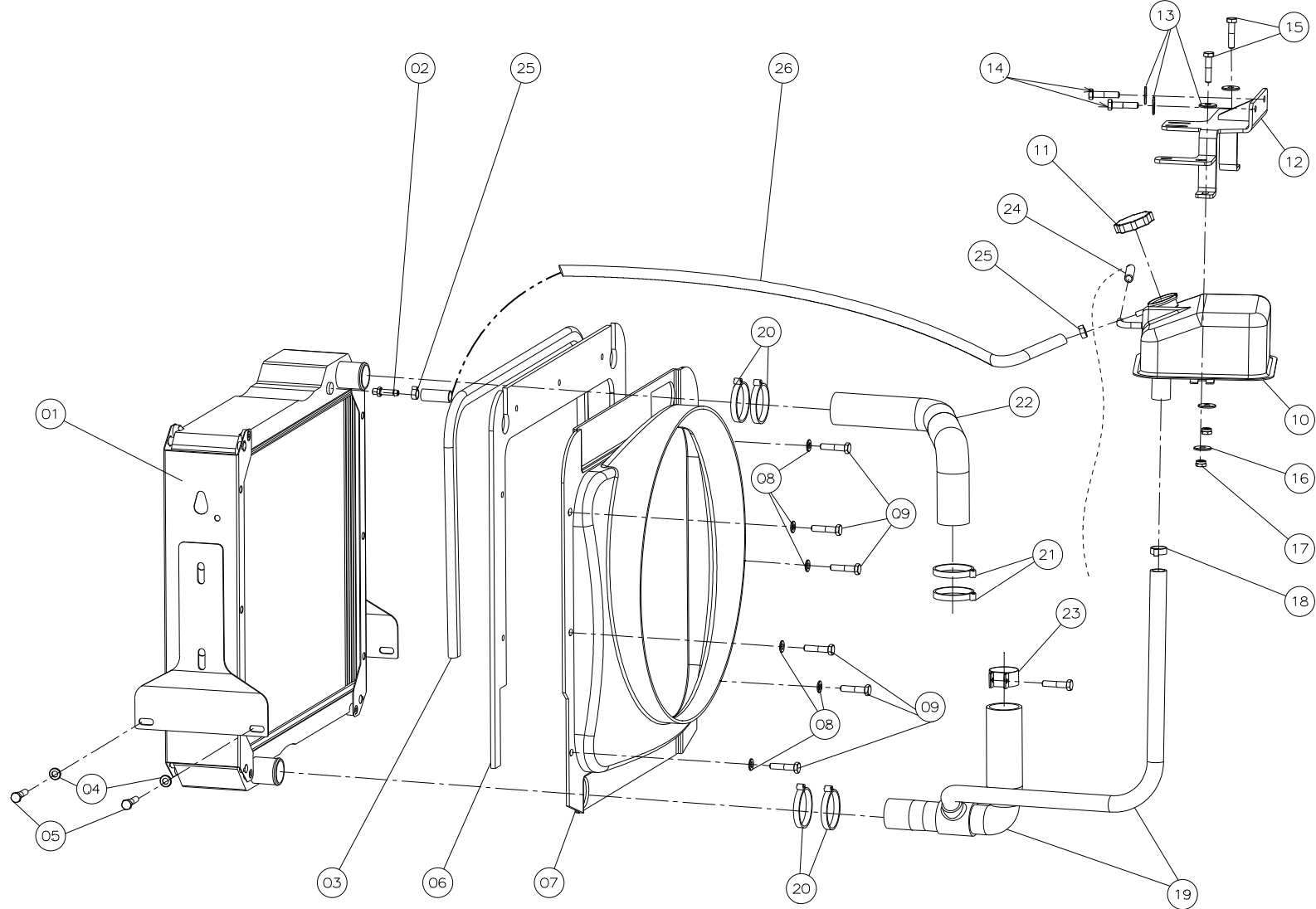
1

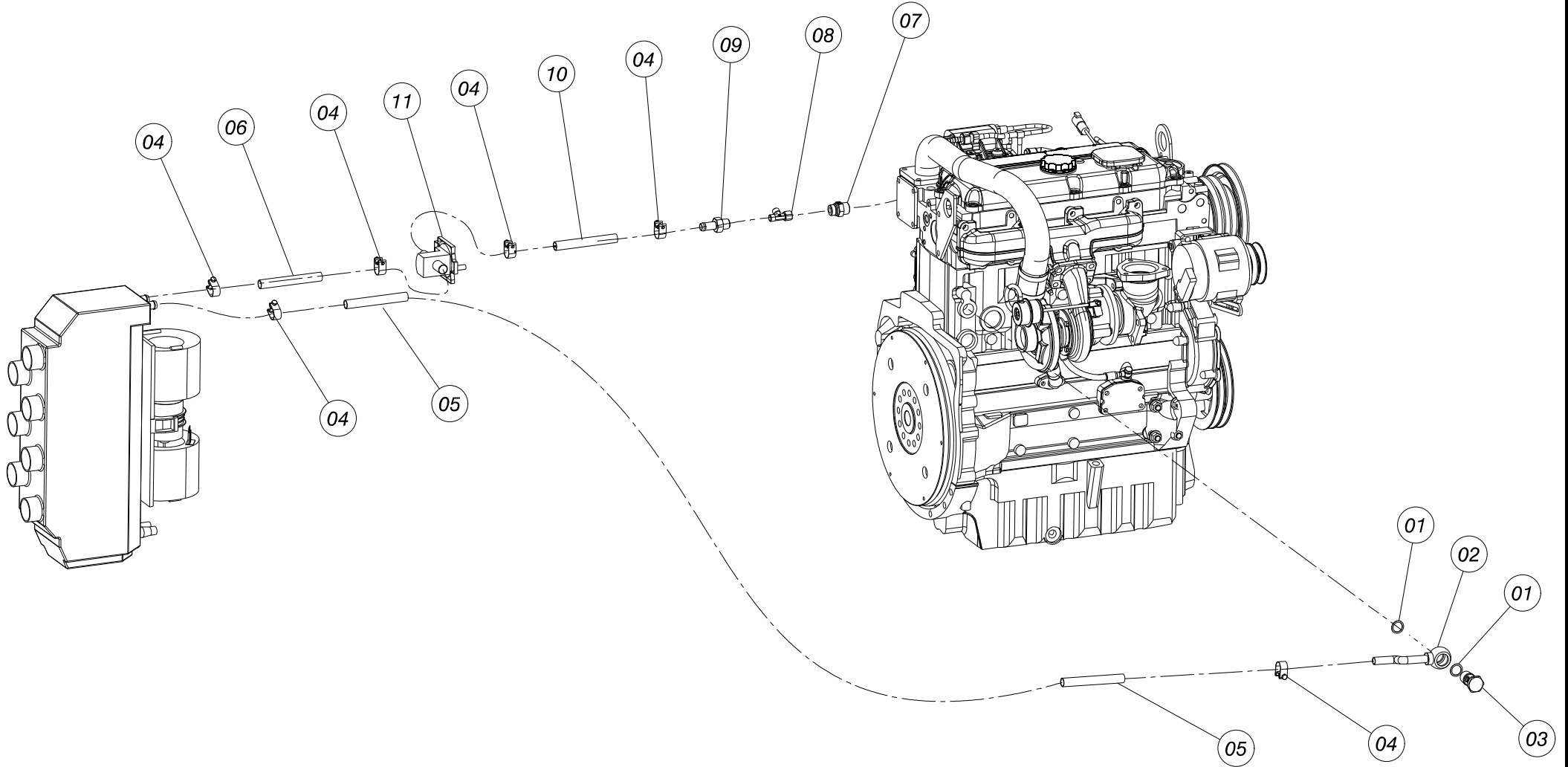
ALT CONTA TAMİR TAKIMI
BOTTOM GASKET SERVICE KIT

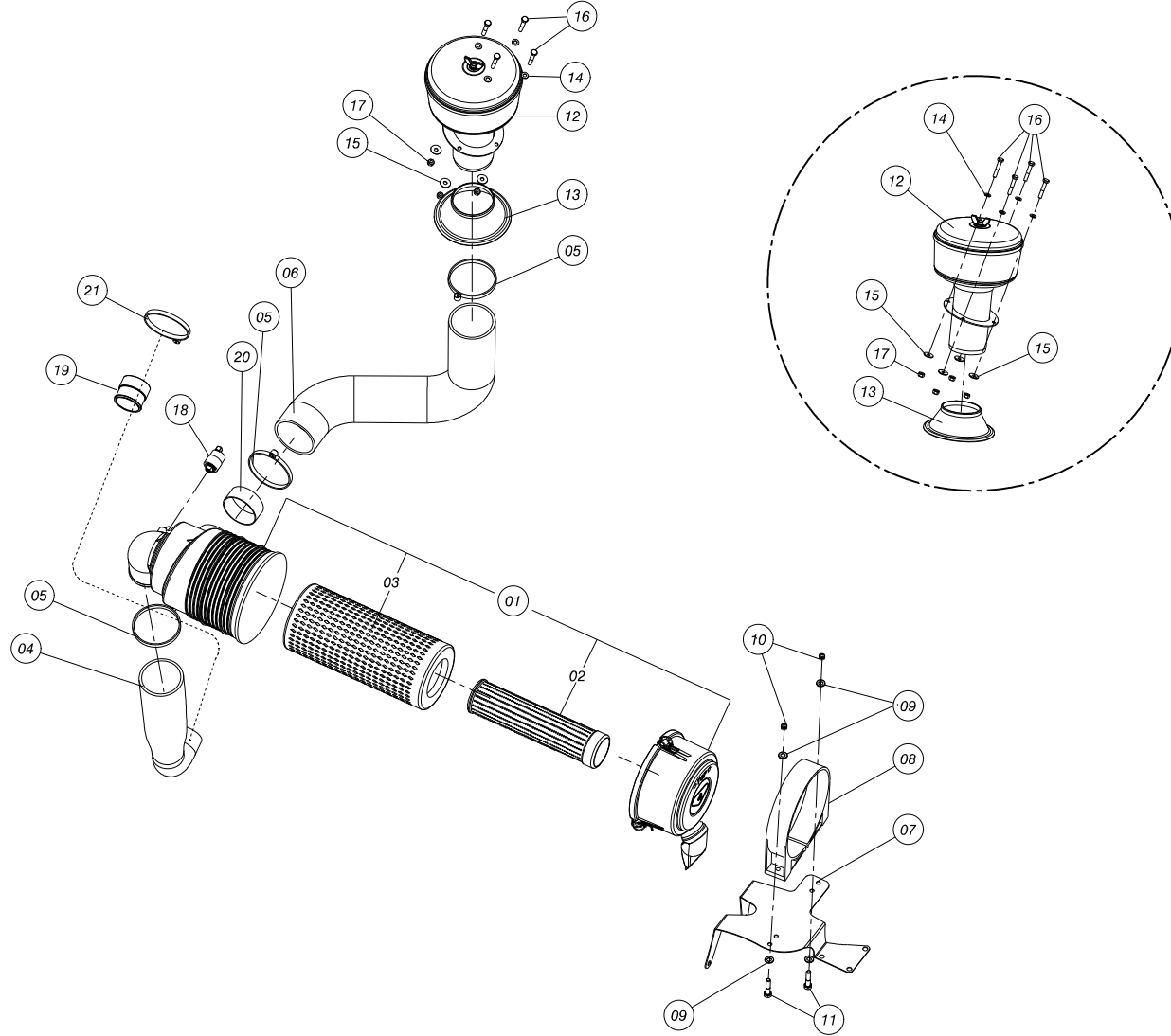
ISITMA RÖLESİ / HEATING RELAY





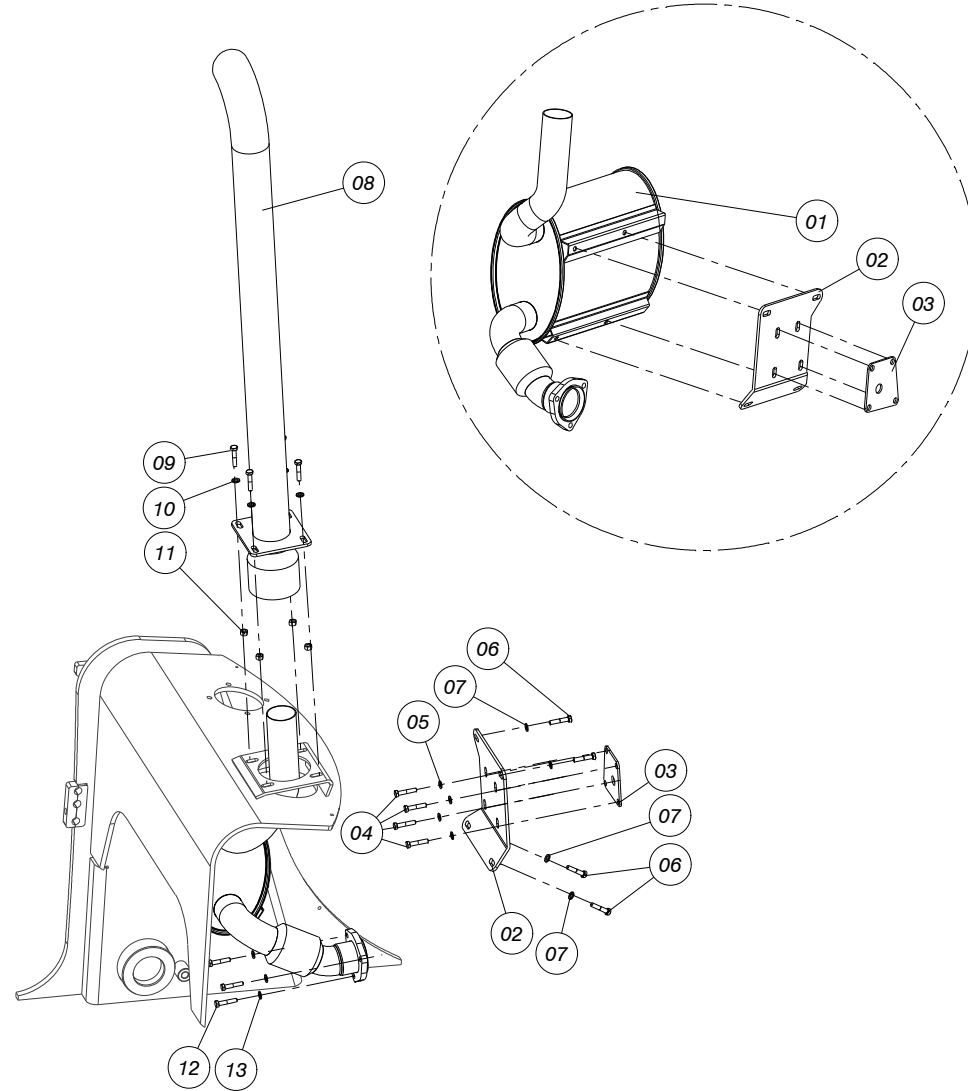


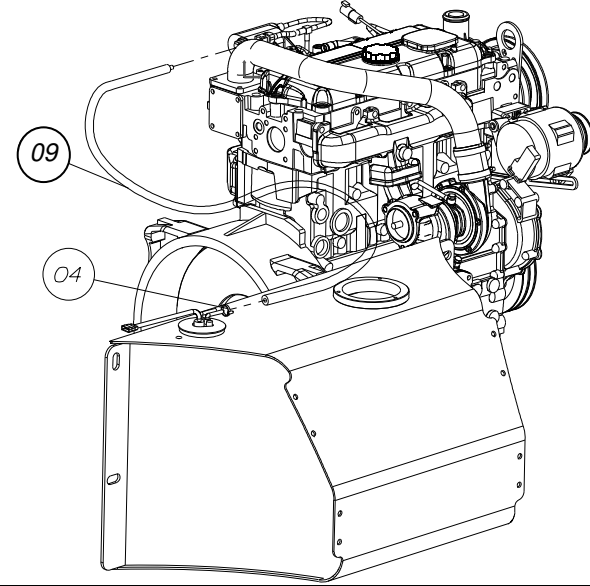
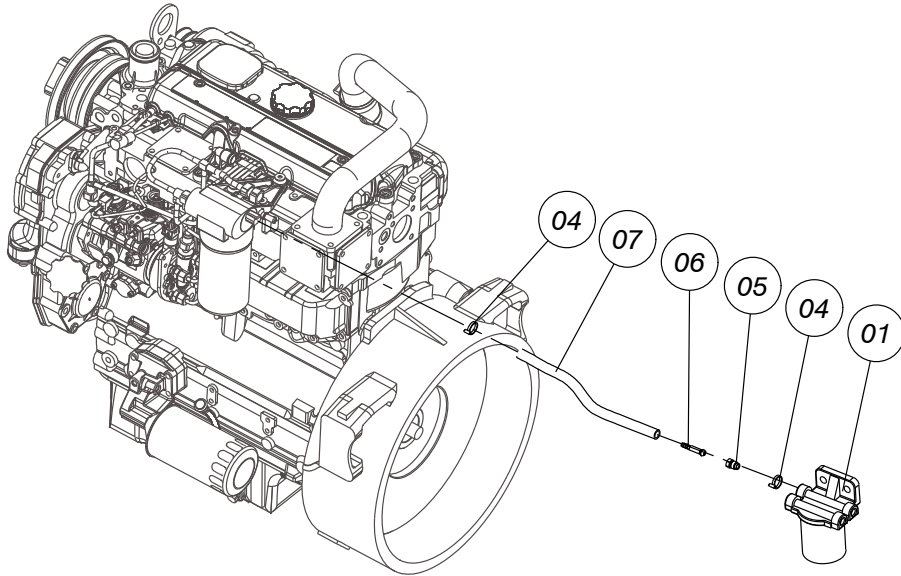
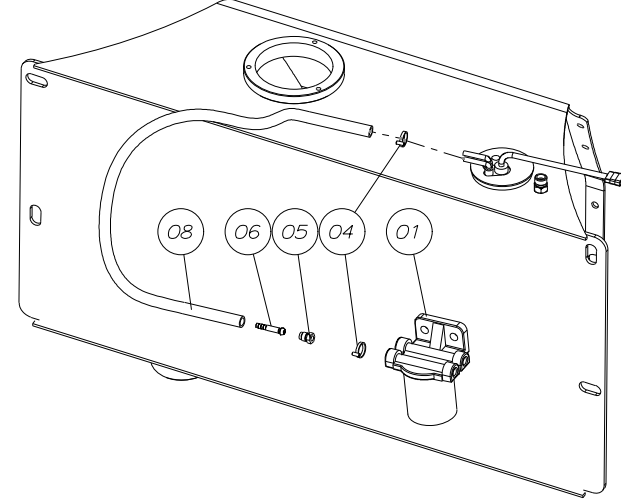
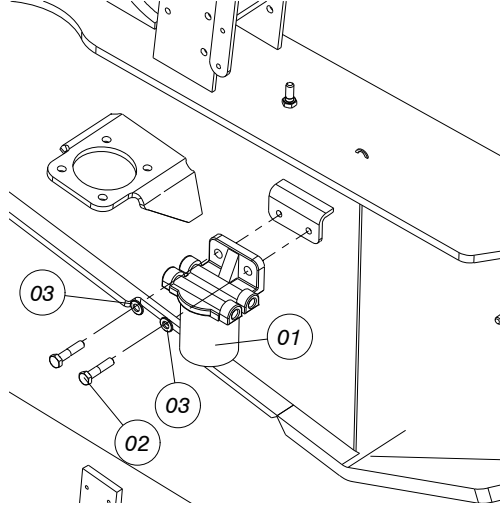


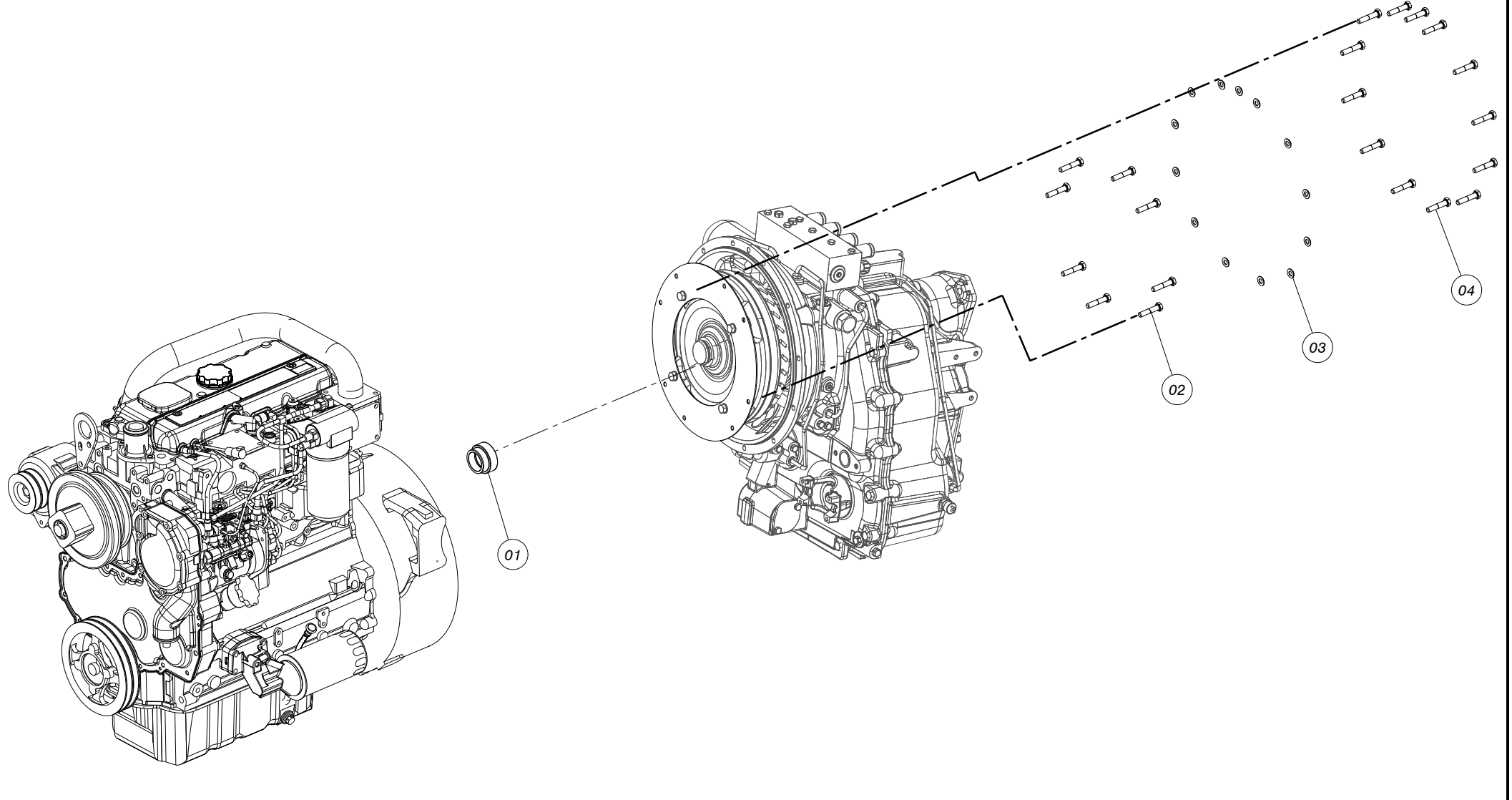


HAVA FİLTRESİ & PARÇALARI / AIR FILTER & PARTS

POS	YEDEK PARÇA KODU SPARE PART CODE	REFERANS KODU REFERENCE CODE	PARÇA TANIMI	DESCRIPTION	MİKTAR QTY.	NOT NOTE
1	54238150		FİLTRE KOVANI	CARTRIDGE CASE	1	Alexin
2	54238151		FİLTRE ELEMANI, İÇ	AIR FILTER, INNER	1	
3	54238152		FİLTRE ELEMANI, DIŞ	AIR FILTER, OUTER	1	
4	1442401		HORTUM	HOSE	1	TURBO EMİŞ
5	453890110		KELEPÇE	CLAMP	3	90 – 110
6	5443826		HORTUM	HOSE	1	FİLTRE KOVANI – HAVA TEMİZLEME ÜNİTESİ
7	54438500		BAĞLANTI APARATI	BRACKET	1	
8		P777732	KELEPÇE	CLAMP	1	PLASTİK (P77-7732)
9	5423793		PUL	WASHER	4	5/16" KALIN
10	5420622		SOMUN	NUT	2	M8 FİBERLİ
11	5421416	1057830	CIVATA	BOLT	2	M8 x 30
12	5423801		HAVA TEMİZLEME ÜNİTESİ	PRECLEANER	1	
13	5423827		LASTİK, TOZ	DUST RUBBER	1	
14	5421432		PUL	WASHER	4	M8 DÜZ
15	5423793		PUL	WASHER	4	5/16" KALIN
16	5421312		CIVATA	BOLT	4	M8 x 25
17	5420622		SOMUN	NUT	4	M8 FİBERLİ
18	5423818		MÜŞÜR	SWITCH	1	
19	5423820		BİLEZİK	SLEEVE	1	HAVA EMİŞ HORTUMU - TURBO BAĞLANTI Ø57 x Ø66 x 57
20	5423832		BİLEZİK	SLEEVE	1	
21	5428160		KELEPÇE	CLAMP	1	60 – 80







2 - ŐANZIMAN / TRANSMISSION



TANIM / DESCRIPTION

SAYFA NO / PAGE NUMBER

EKSENLER / AXIS

001 – 002

YAđ POMPASI / OIL PUMP

003 – 004

ŐANZIMAN GÖVDESİ / TRANSMISSION HOUSING

005 – 006

YAđ FİLTRESİ-MÜŐÜRLER, TAPALAR / OIL FILTERS, SENSORS, PLUGS

007 – 008

GİRİŐ MİLİ / INPUT & PTO TRANSMISSION SHAFTS (AXIS A)

009 – 010

GERİ VİTES MİLİ & ARA MİL / REVERSE SHAFT (AXIS D) & LAYSHAFT (AXIS B)

011 – 012

ANA MİL / MAIN SHAFT (AXIS C)

013 – 016

4WD ÇIKIŐ MİLİ / OUTPUT SHAFT (AXIS E)

017 – 018

KONTROL VALFİ / CONTROL VALVE

019 – 020

TORK KONVERTÖR / TORQUE CONVERTER

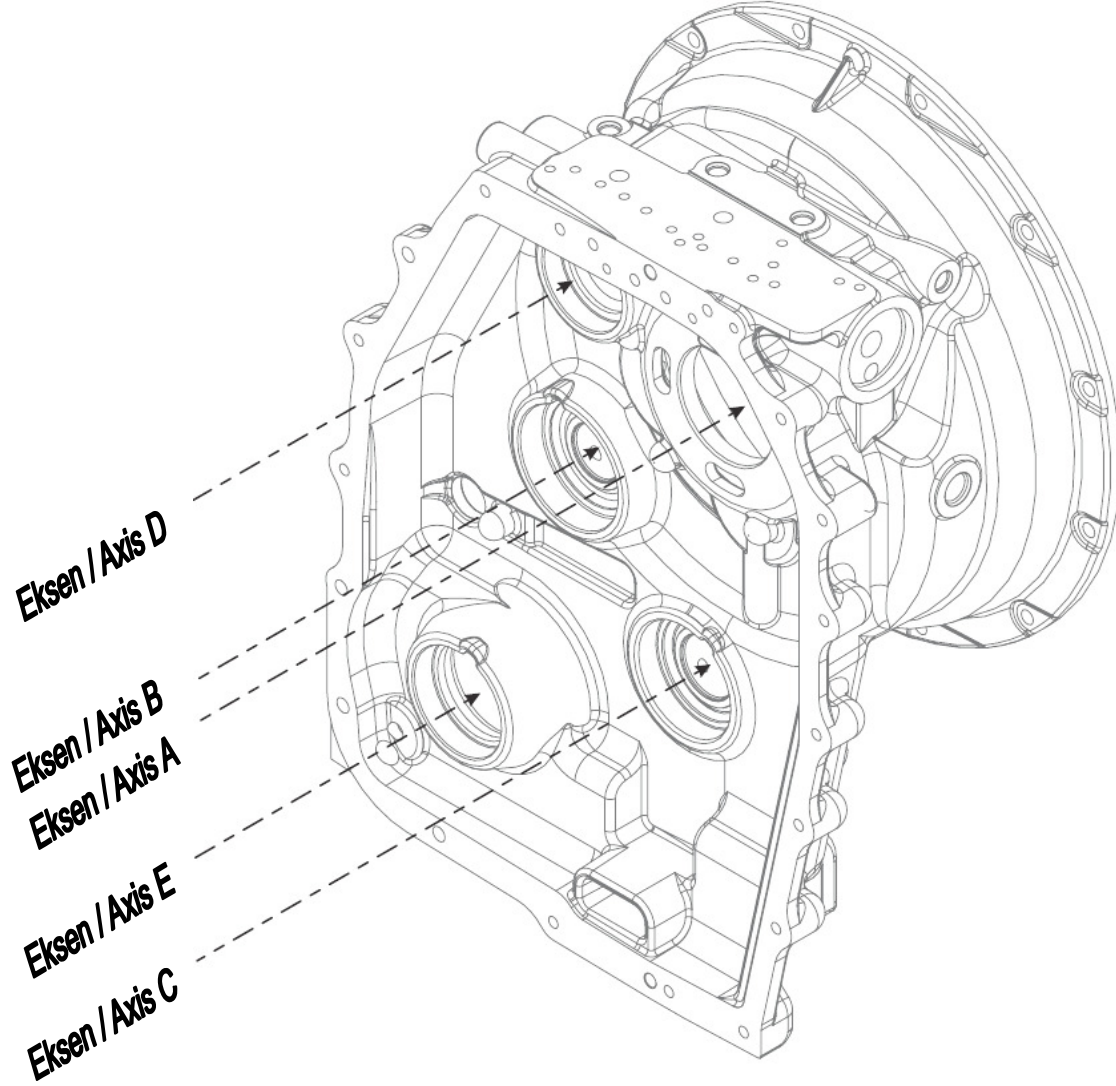
021 – 022

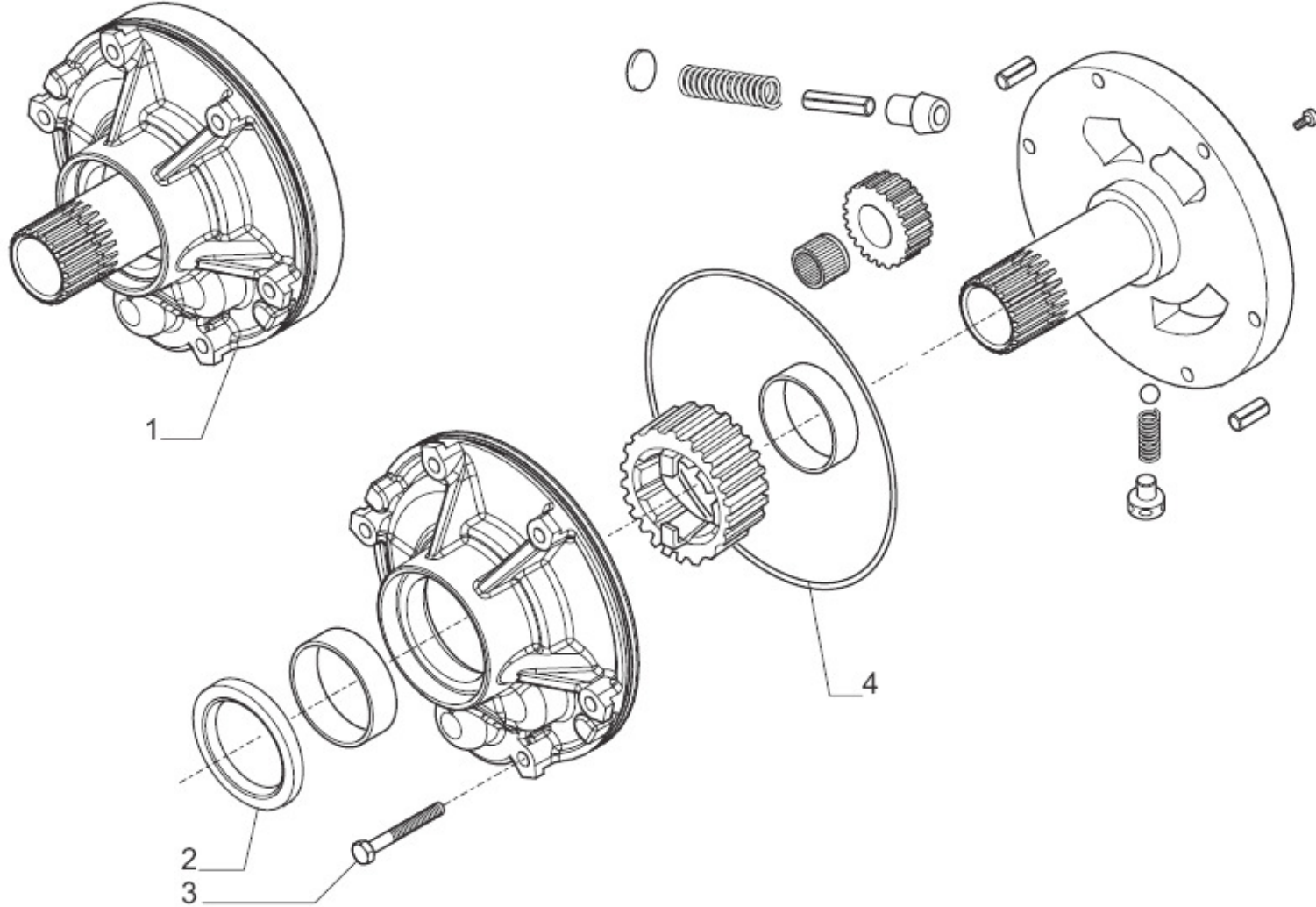
YAđ SEVİYE ÇUBUđU & BORUSU / DIPSTICK & TUBE

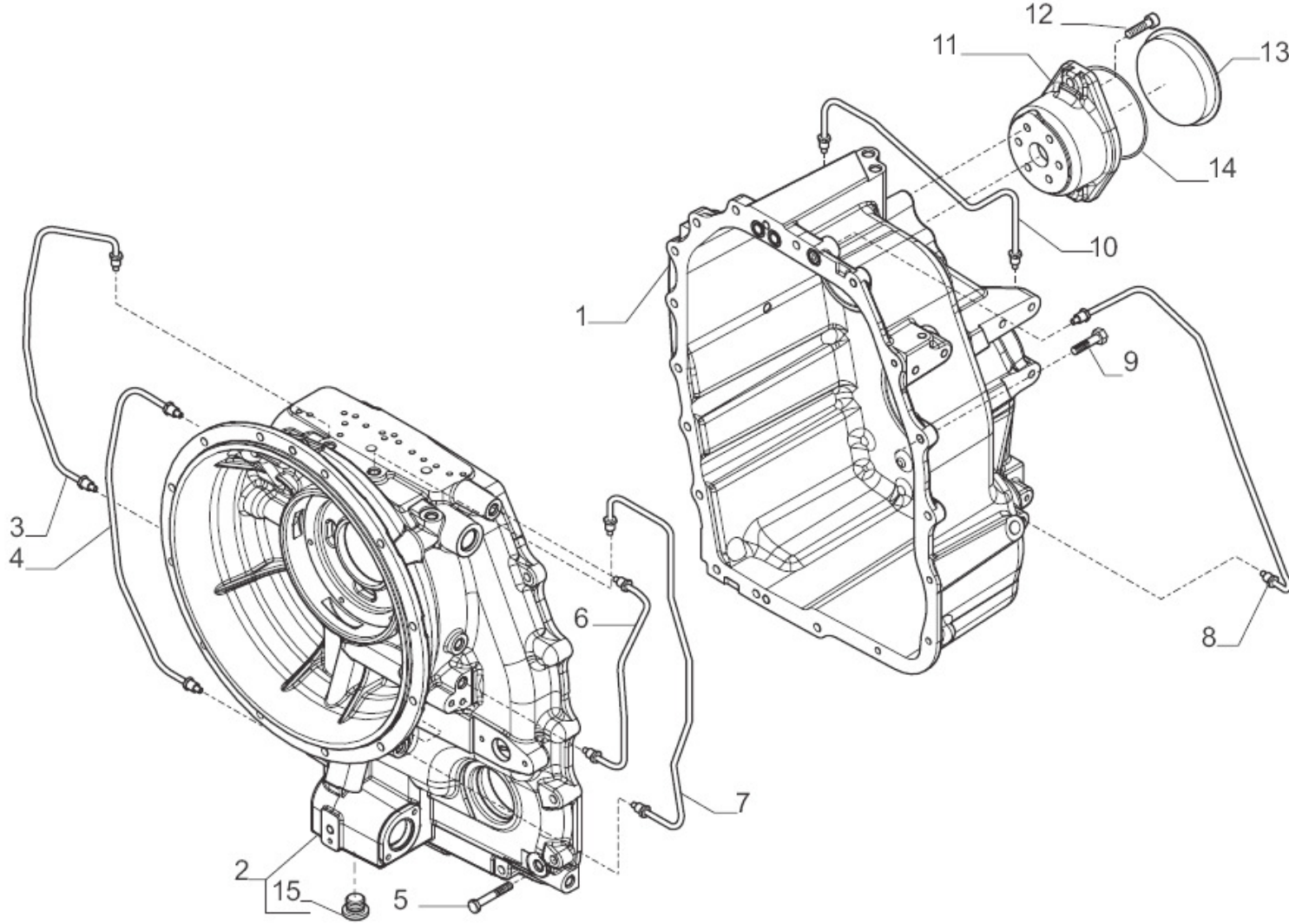
023 – 024

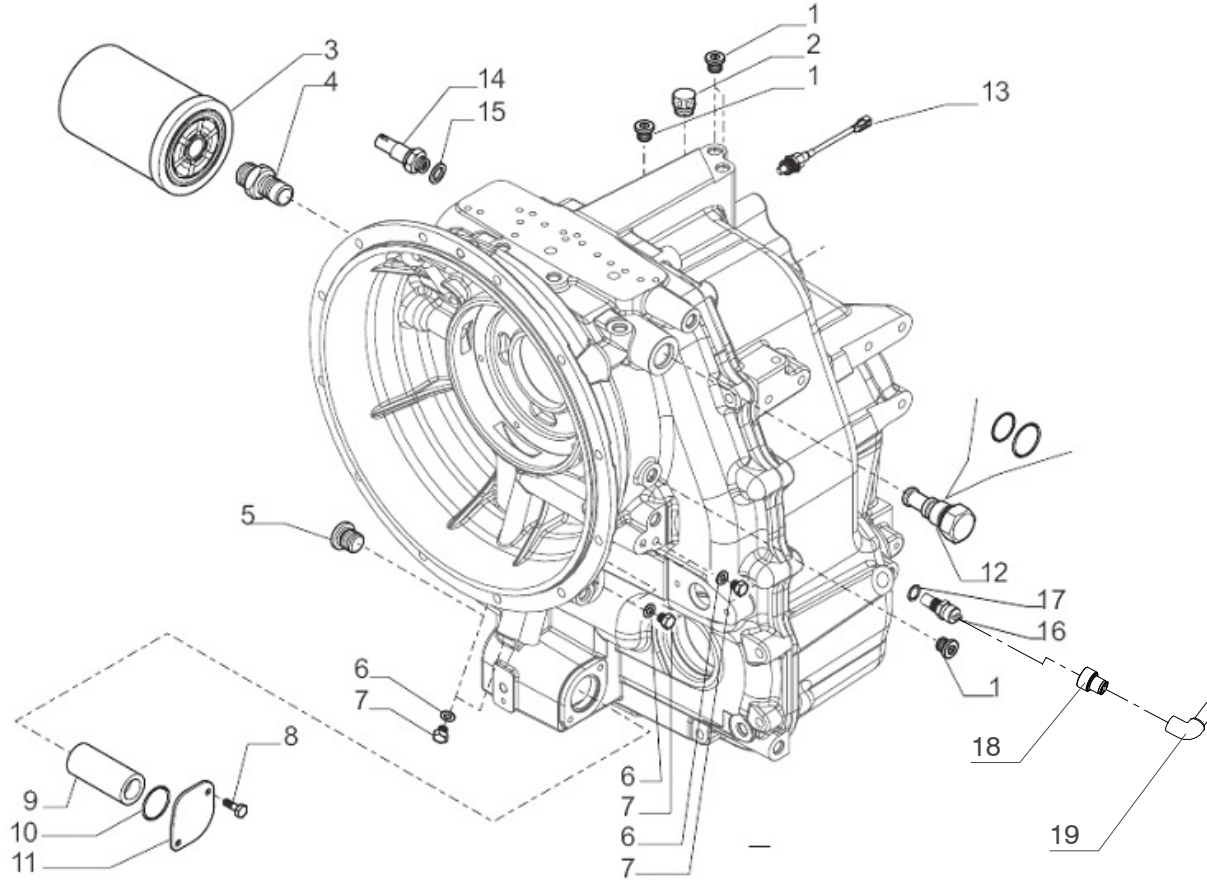
YAđ SOđUTMA SİSTEMİ / OIL COOLING SYSTEM

025 – 026



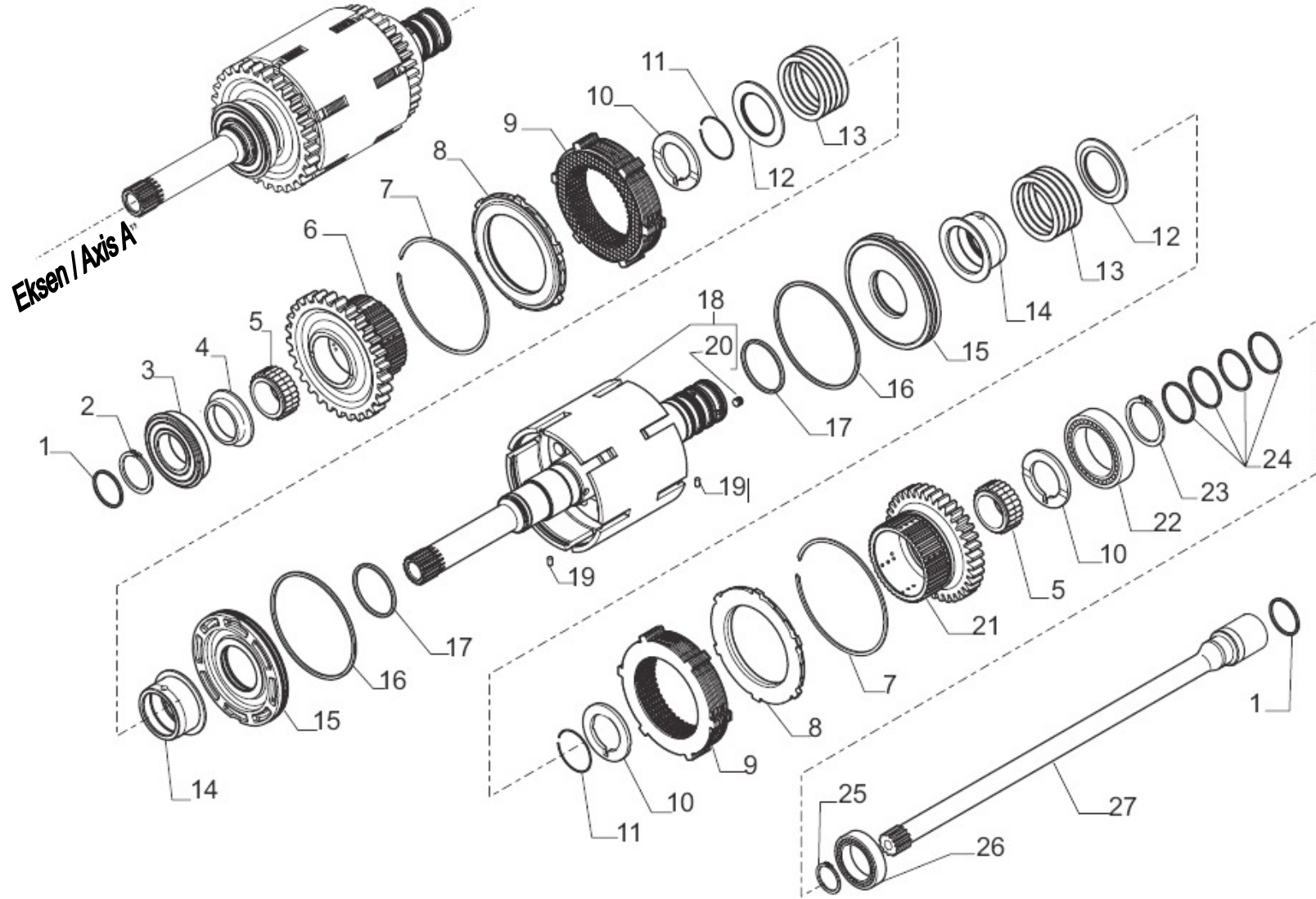






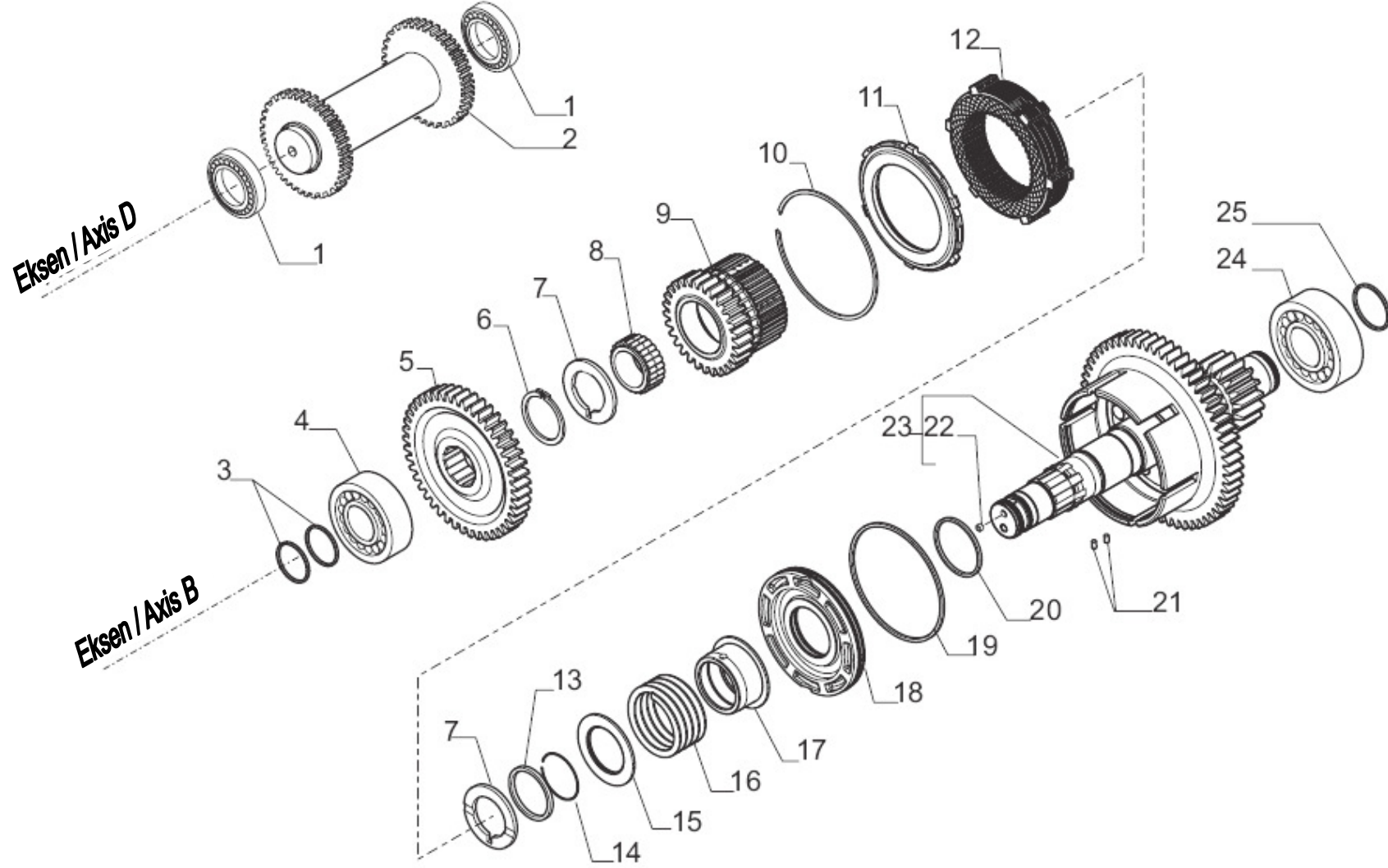
POS	YEDEK PARÇA KODU SPARE PART CODE	REFERANS KODU REFERENCE CODE	PARÇA TANIMI	DESCRIPTION	MİKTAR QTY.	NOT NOTE
1		021570	TAPA	PLUG	3	
2		030368	TAPA, HAVALANDIRMA	PLUG, BREATHER	1	
3		040701	FİLTRE, YAĞ	FILTER, OIL	1	
4		131217	NİPEL	NIPPLE	1	
5		125280	TAPA	PLUG	1	M30x2
6		023260	PUL	WASHER	6	
7		021322	TAPA	PLUG	6	
8		020777	CIVATA	BOLT	2	M8 x 18
9		135859	FİLTRE, YAĞ	FILTER, OIL	1	
10		028131	O-RİNG	O-RING	1	
11		131368	KAPAK	COVER	1	
12		149284	VALF	VALVE	1	
13		143687	MÜŞÜR, SICAKLIK	SENSOR, TEMPERATURE	1	
14		138643	MÜŞÜR, BASINÇ	SENSOR, PRESSURE	1	
15		023287	PUL	WASHER	6	
16		641928	MÜŞÜR, HIZ	SENSOR, SPEED	1	
17		023268	PUL	WASHER	1	
18	5425253		KONNEKTÖR	CONNECTOR	1	
19	5425254		KAPAK	CAP	1	

GİRİŞ MİLİ / INPUT & PTO TRANSMISSION SHAFTS (AXIS A)



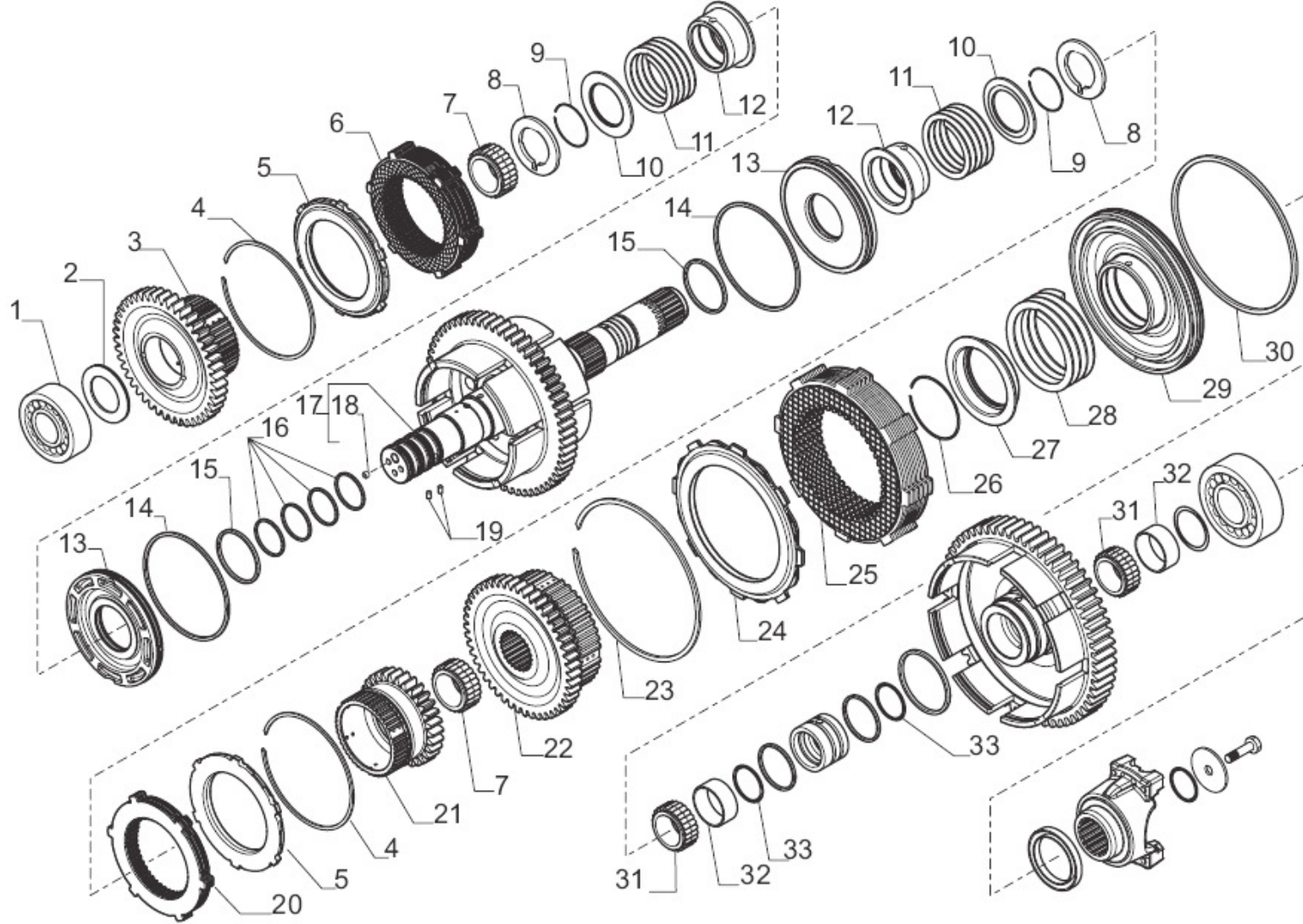
GİRİŞ MİLİ / INPUT & PTO TRANSMISSION SHAFTS (AXIS A)

POS	YEDEK PARÇA KODU SPARE PART CODE	REFERANS KODU REFERENCE CODE	PARÇA TANIMI	DESCRIPTION	MİKTAR QTY.	NOT NOTE
1		139197	KEÇE	SEAL RING	2	D45
2		024800	SEGMAN	CIRCLIP	1	D45
3		026160	RULMAN	BEARING	1	
4		139011	BİLEZİK	SPACER	1	68x45x105
5		027956	RULMAN	NEEDLE BEARING BUSH	2	SİLİNDİRİK ELEMANLI
6		148574	DİŞLİ	GEAR	1	Z37 (RVS)
7		025067	SEGMAN	LOCKRING	2	
8		135020	BASKI PLAKASI	CLUTCH PLATE LOCKRING	2	
9		149306	KAVRAMA PLAKASI KİTİ	CLUTCH KIT	2	(FWD/RVS)
10		138986	DAYAMA PULU	THRUST WASHER	3	60x50x4
11		025031	SEGMAN	LOCKRING	2	
12		133912	KAPAK, YAY SABİTLEME	LOCK SPRING COVER	2	
13		139351	YAY	SPRING	2	
14		138984	KAVRAMA BİLEZİĞİ	CLUTCH SLEEVE	2	
15		138983	KAVRAMA PİSTONU	CLUTCH PISTON	2	
16		139199	KEÇE	SEAL RING	2	
17		139198	KEÇE	SEAL RING	2	D55
18		068354	GİRİŞ MİLİ KOMPLESİ	INNER SHAFT (ASSY)	1	
19		024321	PİM	SPLIT PIN	2	D3x8
20		023835	PERÇİN	RIVET	4	D6x5,84
21		148573	DİŞLİ	GEAR	1	Z37 (FWD)
22		025811	RULMAN	BEARING	1	
23		024805	SEGMAN	CIRCLIP	1	D50
24		142858	KEÇE	SEAL RING	4	D50
25		024785	SEGMAN	CIRCLIP	1	D30
26		025735	RULMAN	BEARING	1	
27		138383	MİL	TRANSMISSION SHAFT, PTO	1	



POS	YEDEK PARÇA KODU SPARE PART CODE	REFERANS KODU REFERENCE CODE	PARÇA TANIMI	DESCRIPTION	MİKTAR QTY.	NOT NOTE
1		025808	RULMAN	BEARING	2	
2		137647	MİL, GERİ	REVERSE SHAFT	1	Z27
3		148565	KEÇE	SEAL RING	2	D40
4		025859	RULMAN	BEARING	1	
5		133174	DİŞLİ	GEAR	1	Z45
6		024805	SEGMAN	CIRCLIP	1	D50
7		138986	DAYAMA PULU	THRUST WASHER	2	60 x 50 x 4
8		027956	RULMAN	NEEDLE BEARING BUSH	1	SİLİNDİRİK ELEMENLI
9		148635	DİŞLİ	GEAR	1	Z28
10		025067	SEGMAN	LOCKRING	1	
11		135020	BASKI PLAKA	CLUTCH PLATE LOCKRING	1	
12		149303	KAVRAMA PLAKASI KİTİ	CLUTCH KIT	1	(2. - 3.)
13		148636	DAYAMA PUL	THRUST WASHER	1	
14		025031	SEGMAN	LOCKRING	1	
15		133912	KAPAK, YAY SABİTLEME	LOCK - SPRING COVER	1	
16		139351	YAY	SPRING	1	
17		138984	KAVRAMA BİLEZİĞİ	CLUTCH SLEEVE	1	
18		138983	KAVRAMA PİSTONU	CLUTCH PISTON	1	
19		139199	KEÇE	SEAL RING	1	
20		139198	KEÇE	SEAL RING	1	D55
21		024321	PİM	SPLIT PIN	2	D3x8 (YARIKLI)
22		023834	PERÇİN	RIVET	1	D7 SET / KIT NO : 068392
23		068392	MİL KOMPLESİ	SHAFT ASSEMBLY	1	Z58/17
24		025860	RULMAN	BEARING	1	
25		139197	KEÇE	SEAL RING	1	D45

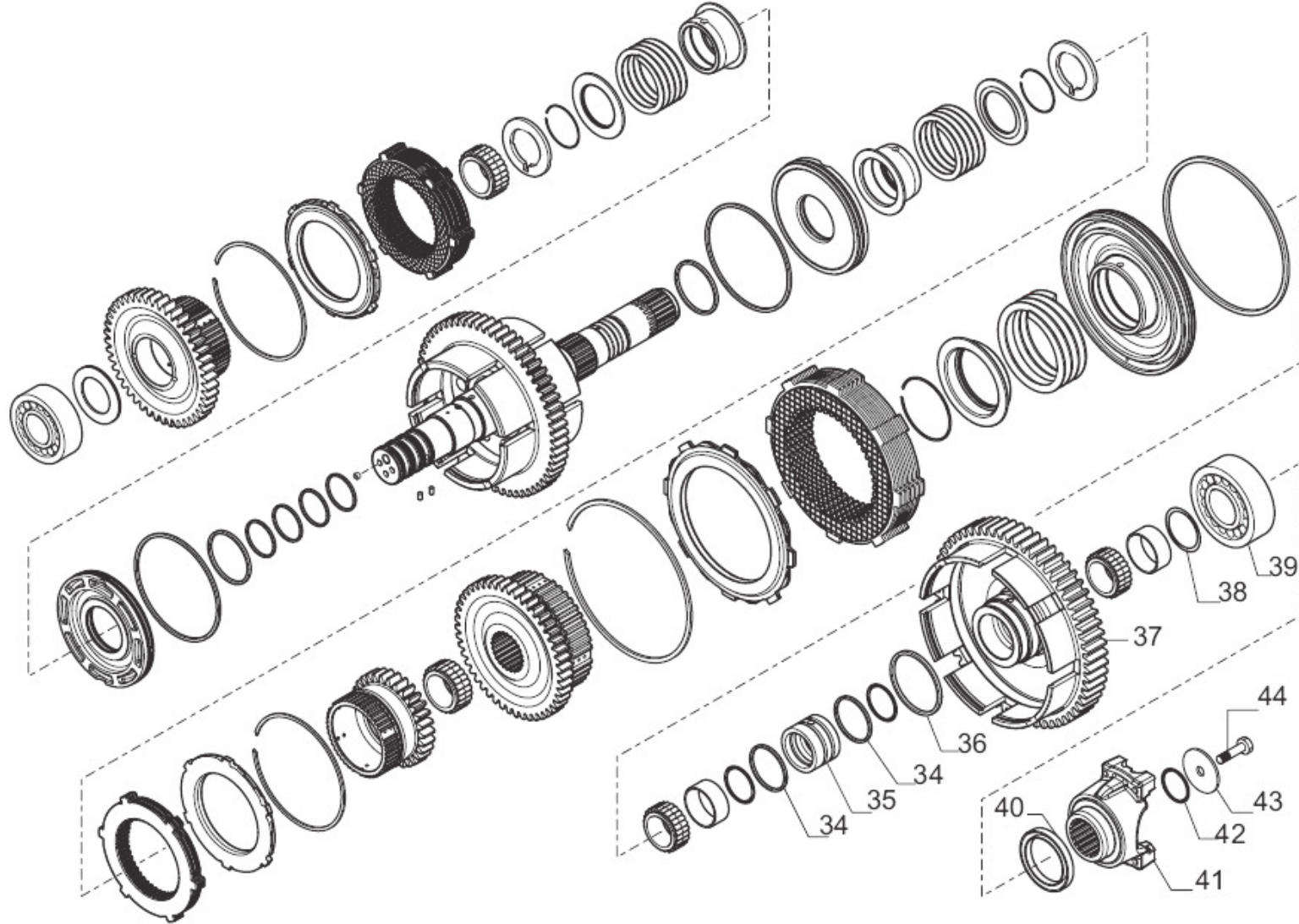
ANA MİL / MAIN SHAFT (AXIS C)



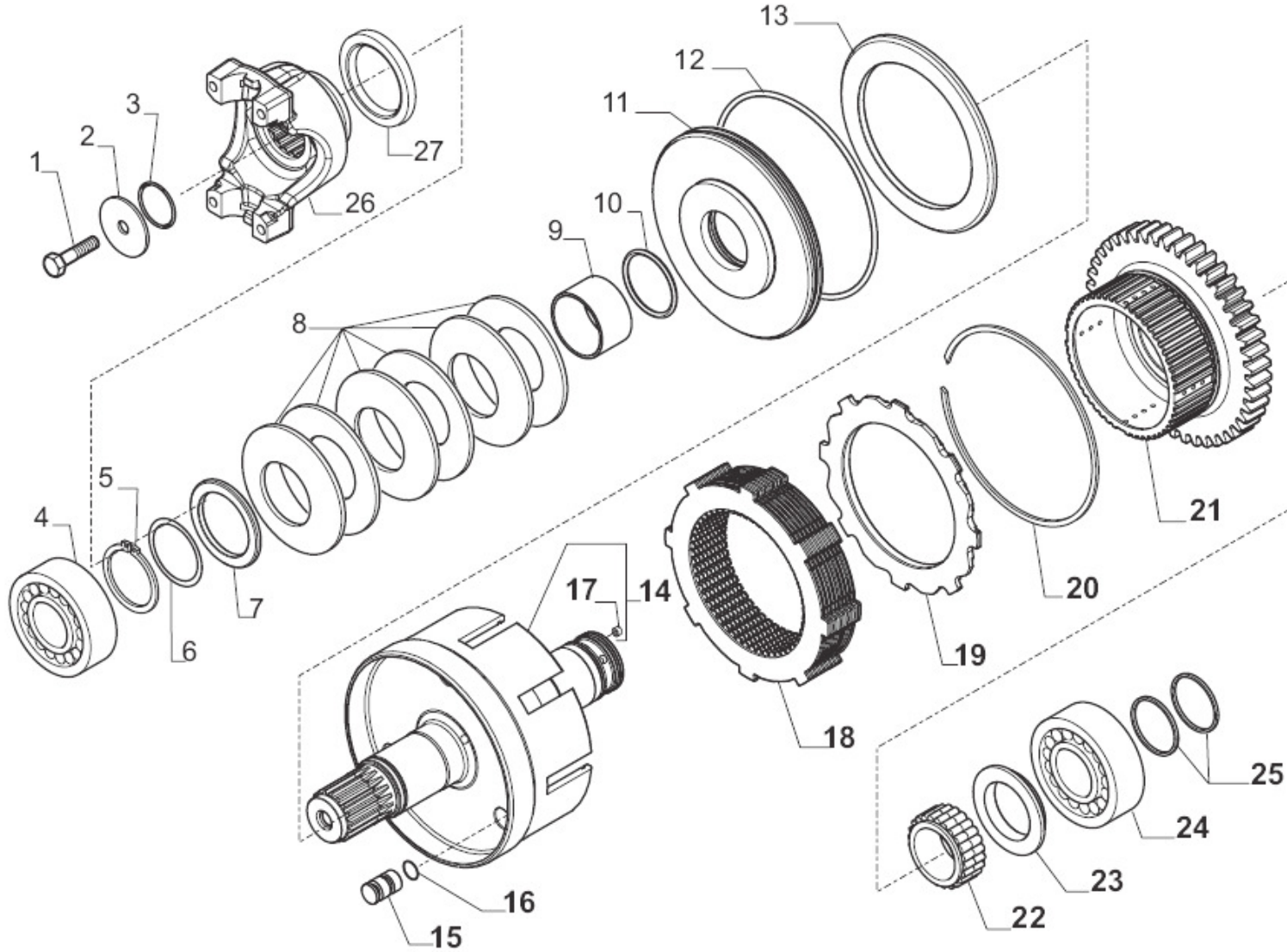
ANA MİL / MAIN SHAFT (AXIS C)

POS	YEDEK PARÇA KODU SPARE PART CODE	REFERANS KODU REFERENCE CODE	PARÇA TANIMI	DESCRIPTION	MİKTAR QTY.	NOT NOTE
1		025829	RULMAN	BEARING	1	
2		138985	PUL	THRUST WASHER	1	
3		148642	DİŞLİ	GEAR	1	Z44
4		025067	SEGMAN	LOCKRING	2	
5		135020	BASKI PLAKASI	CLUTCH PLATE LOCKRING	2	
6		149303	KAVRAMA PLAKASI KİTİ	CLUTCH KIT	1	(2. - 3.)
7		027956	RULMAN, İĞNE ELEMANLI	NEEDLE BEARING BUSH	2	
8		138986	DAYAMA PULU	THRUST WASHER	2	60x50x4
9		025031	SEGMAN	LOCKRING	2	
10		133912	KAPAK, YAY SABİTLEME	LOCK - SPRING COVER	2	
11		139351	YAY	SPRING	2	
12		138984	KAVRAMA BİLEZİĞİ	CLUTCH SLEEVE	2	
13		138983	KAVRAMA PİSTONU	CLUTCH PISTON	2	
14		139199	KEÇE	SEAL RING	2	
15		139198	KEÇE	SEAL RING	2	D55
16		139197	KEÇE	SEAL RING	4	D45
17		068393	MİL KOMPLESİ	SHAFT	1	Z60
18		023834	PERÇİN	RIVET	3	D7 SET / KIT NO : 068393
19		024321	PİM	SPLIT PIN	2	D3x8
20		149304	KAVRAMA KİTİ	CLUTCH KIT	1	(4.)
21		148640	DİŞLİ	GEAR	1	Z30
22		148643	DİŞLİ	GEAR	1	Z47
23		025066	SEGMAN	LOCKRING	1	
24		138381	BASKI PLAKASI	CLUTCH PLATE, LOCKRING	1	
25		149302	KAVRAMA KİTİ	CLUTCH KIT	1	(1.)
26		025021	SEGMAN	LOCKRING	1	
27		139347	KAPAK, YAY SABİTLEME	LOCK - SPRING COVER	1	
28		139348	YAY	SPRING	1	
29		148647	KAVRAMA PİSTONU	CLUTCH PISTON	1	
30		145899	KEÇE	SEAL RING	1	D198
31		028015	RULMAN, İĞNE ELEMANLI	NEEDLE BEARING BUSH	2	
32		028350	BURÇ	BUSH	2	
33		028648	O-RİNG	O-RING	2	

ANA MİL / MAIN SHAFT (AXIS C)



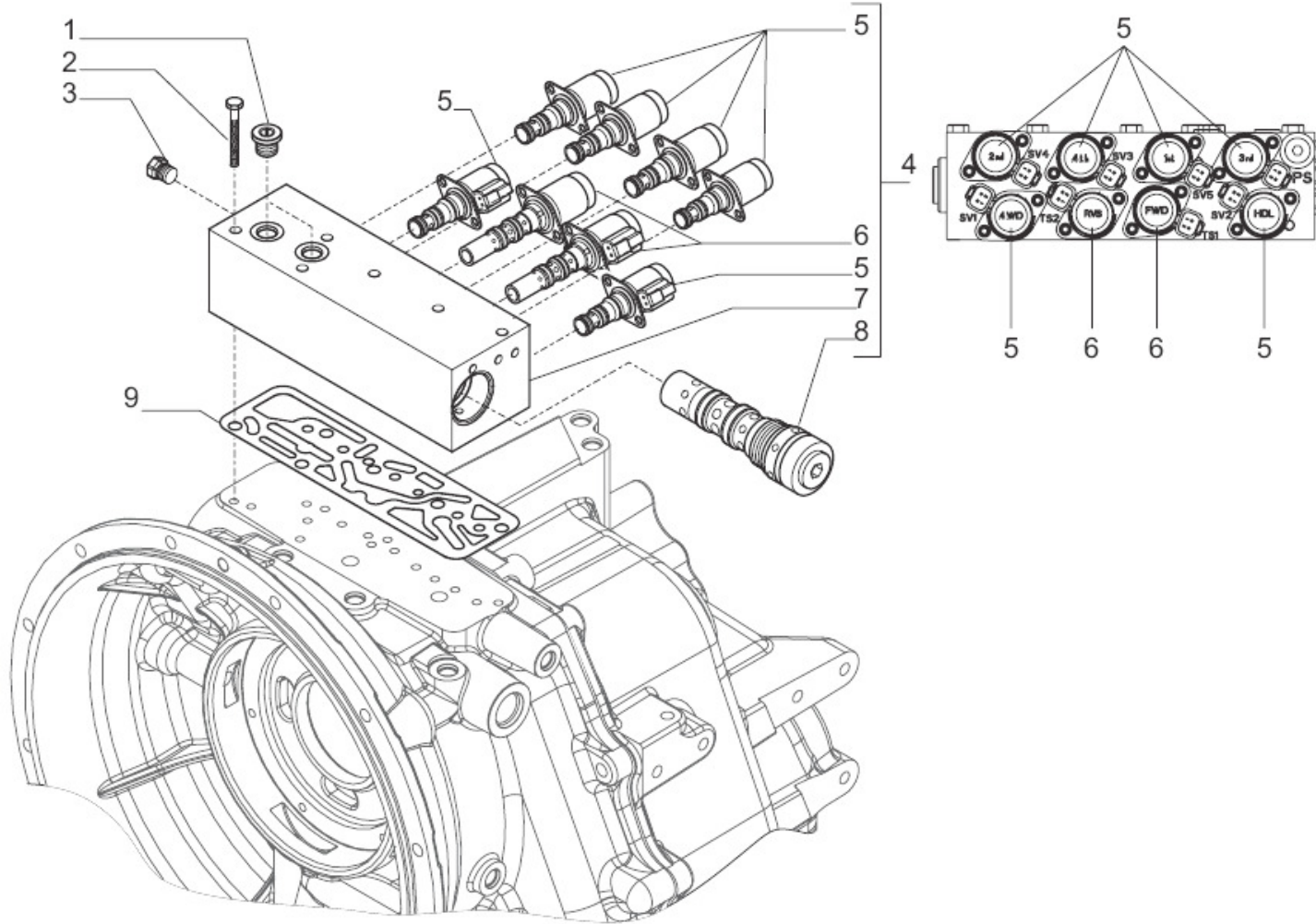
4WD ÇIKIŞ MİLİ / OUTPUT SHAFT (AXIS E)

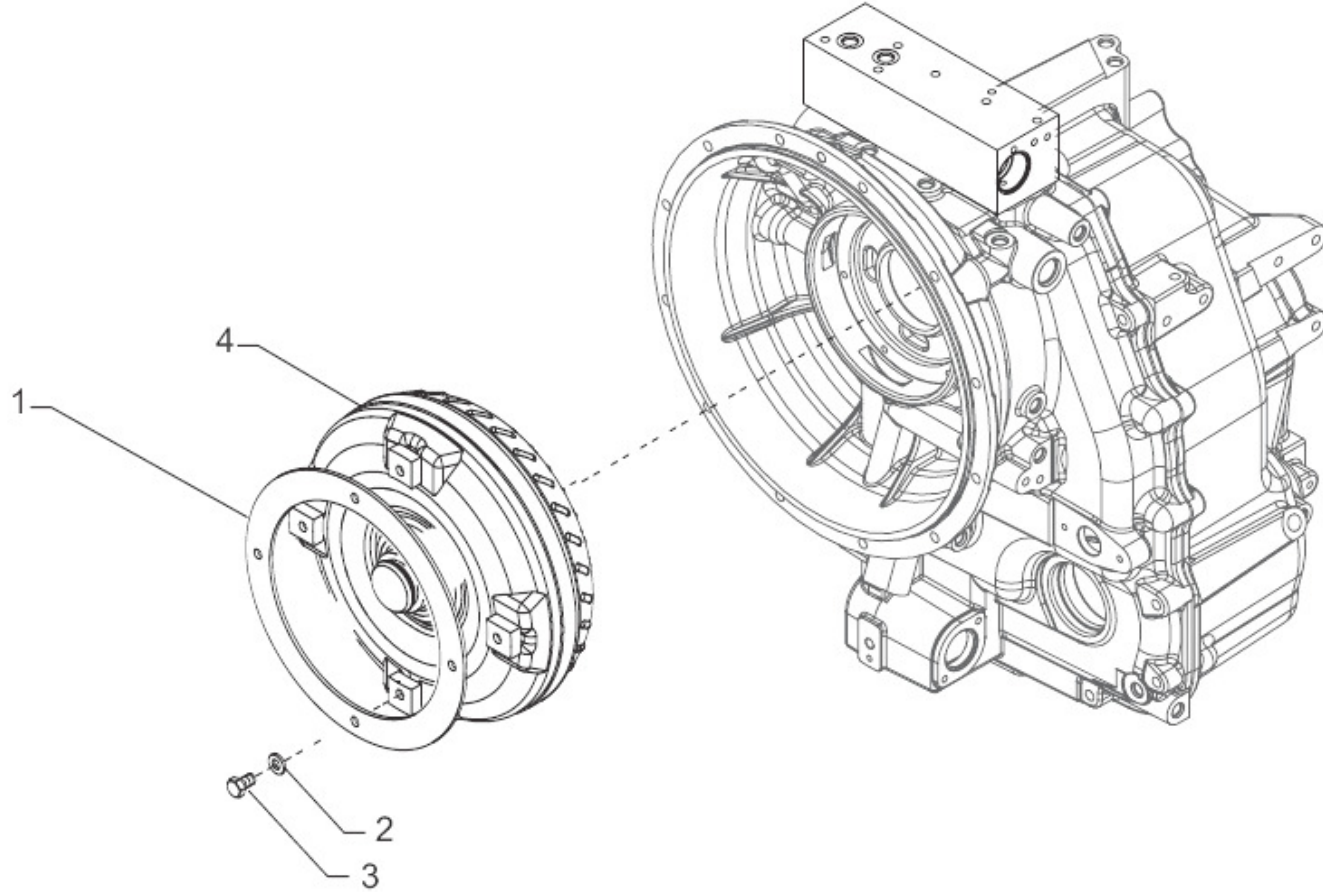


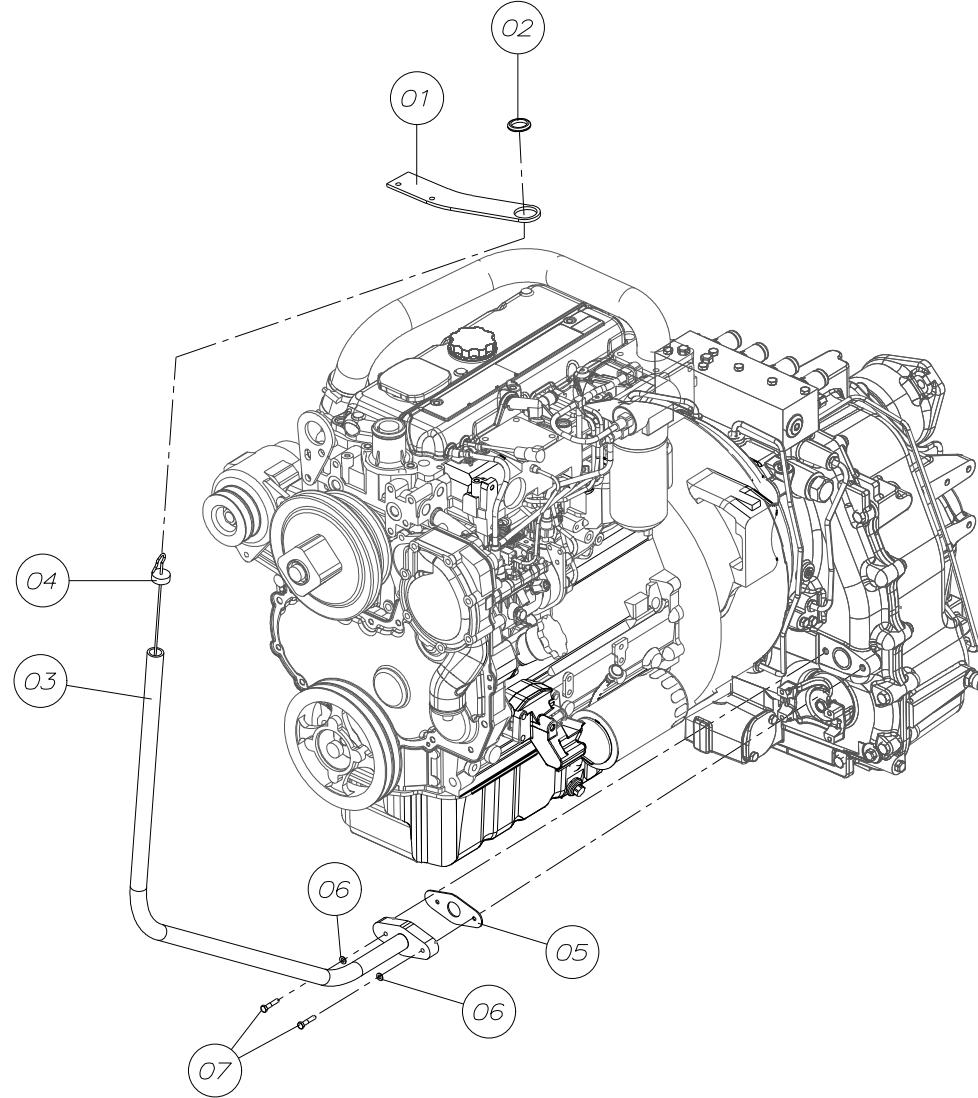
4WD ÇIKIŞ MİLİ / OUTPUT SHAFT (AXIS E)

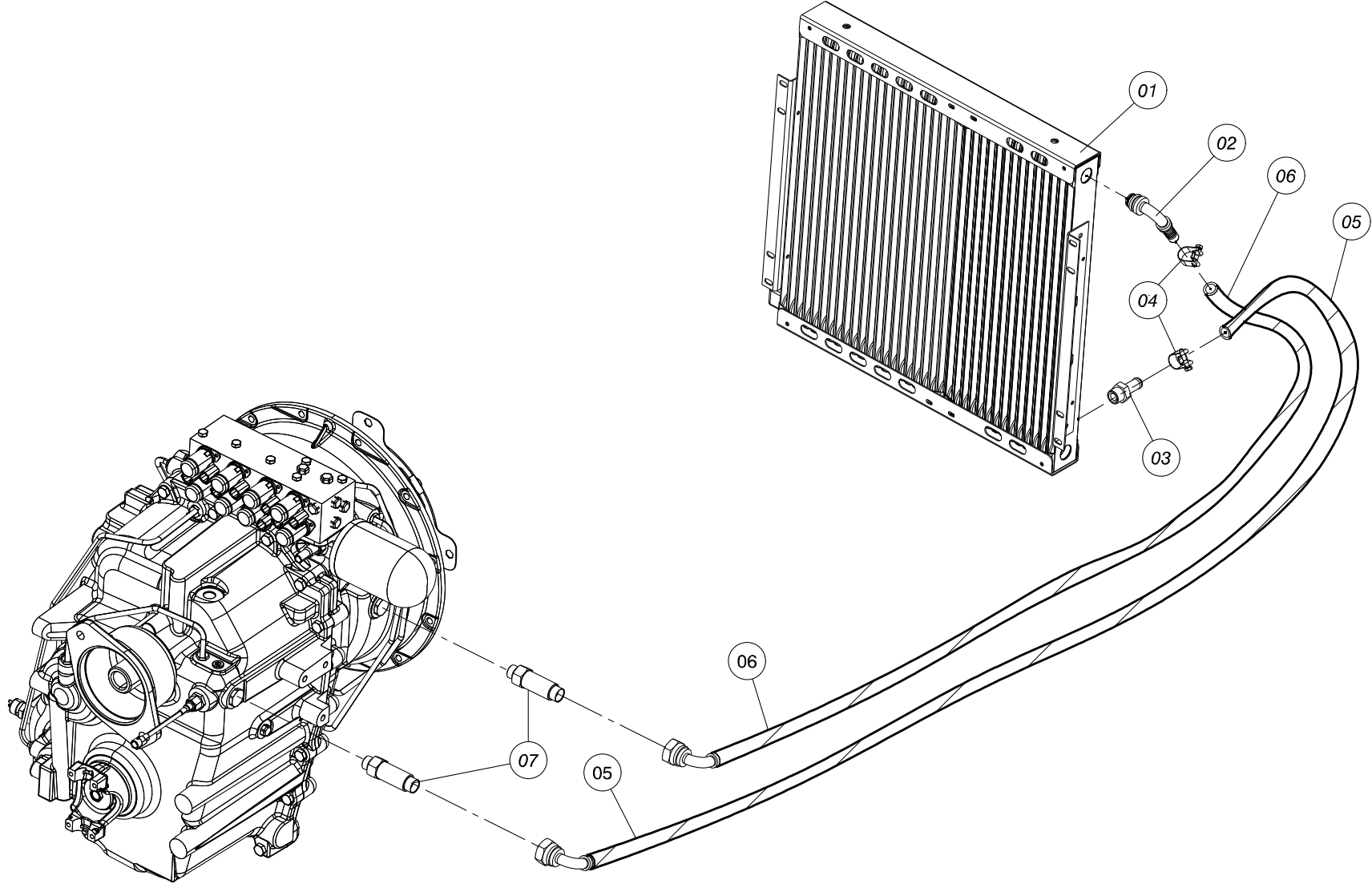
POS	YEDEK PARÇA KODU SPARE PART CODE	REFERANS KODU REFERENCE CODE	PARÇA TANIMI	DESCRIPTION	MİKTAR QTY.	NOT NOTE
1		123918	CIVATA	BOLT	1	M12 x 25
2		129924	PUL	WASHER	1	
3		028131	O-RİNG	O-RING	1	
4		025809	RULMAN	BEARING	1	
5		024799	SEGMAN	CIRLCLIP	1	
6		106866	ŞİM	SHIM	-	0.1 mm
6		106867	ŞİM	SHIM	-	0.3 mm
6		106868	ŞİM	SHIM	-	0.5 mm
7		138391	DAYAMA PULU	THRUST WASHER	1	
8		138399	PUL, EMNİYET	WASHER, BELLEVILLE	6	
9		138394	BİLEZİK	SPACER	1	
10		028548	O-RİNG	O-RING	1	
11		139341	KAVRAMA PİSTONU	CLUTCH PISTON	1	
12		028624	O-RİNG	O-RING	1	
13		138384	PLATE	BRAKE PLATE	1	
14		068394	MİL	SHAFT	1	4WD
15		139342	PİM	BRAKE PIN	3	
16		028534	O-RİNG	O-RING	3	
17		023835	PERÇİN	RIVET	1	ø6 SET / KIT NO : 068394
18		149305	KAVRAMA KİTİ	CLUTCH KIT	1	(4WD)
19		141114	BASKI PLAKASI	CLUTCH PLATE, LOCKRING	1	
20		025009	SEGMAN	LOCKRING	1	
21		148645	DİŞLİ	GEAR	1	Z45
22		027956	RULMAN, İĞNE ELEMANLI	NEEDLE BEARING BUSH	1	
23		139011	DAYAMA PULU	THRUST WASHER	1	
24		025829	RULMAN	BEARING	1	
25		139197	KEÇE	SEAL RING	2	D45
26		144452	FLANŞ	FLANGE	1	
27		025485	KEÇE	SEAL RING	1	

KONTROL VALFİ / CONTROL VALVE









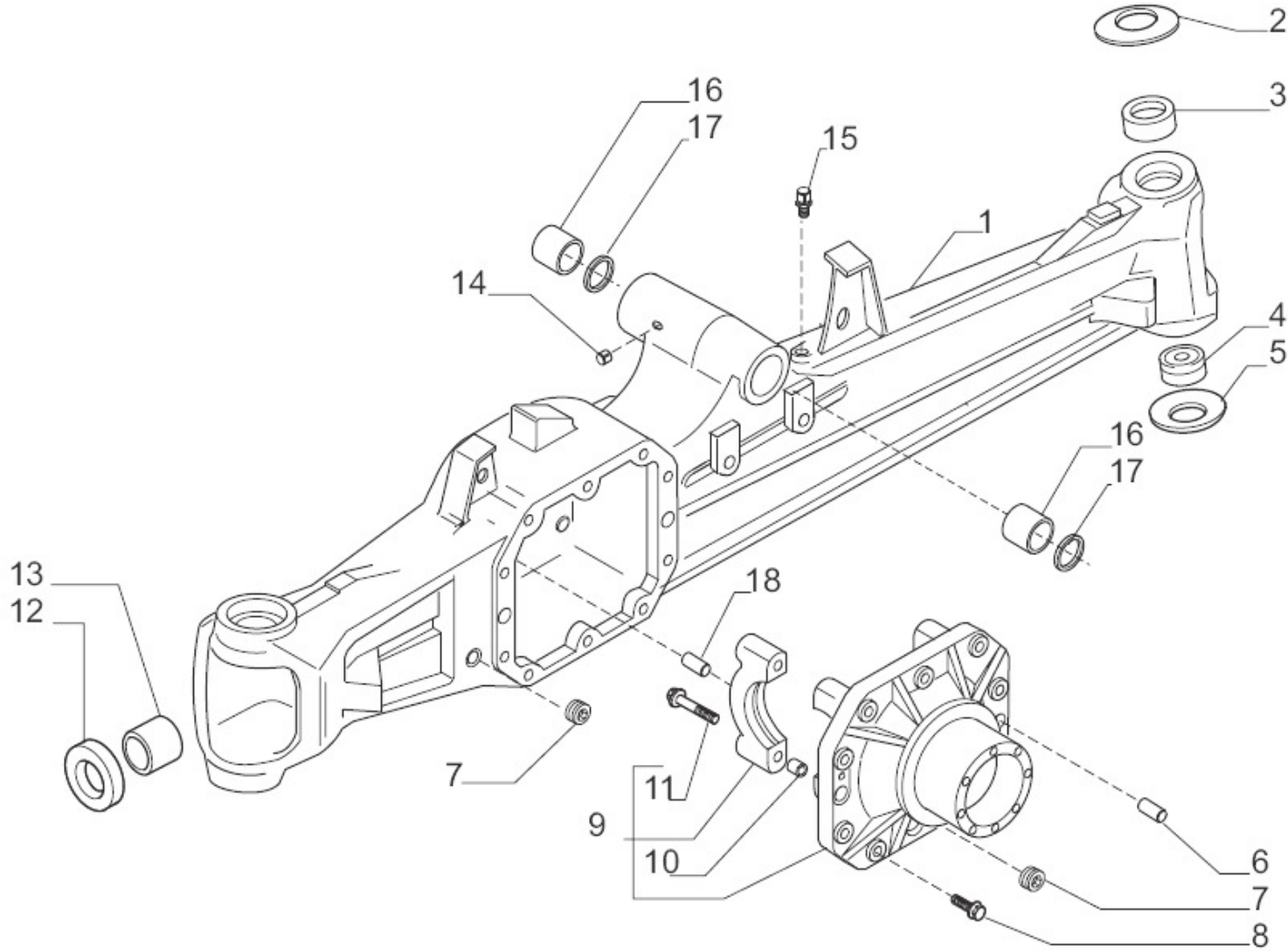
3 - ÖN DİNGİL / FRONT AXLE (M542)

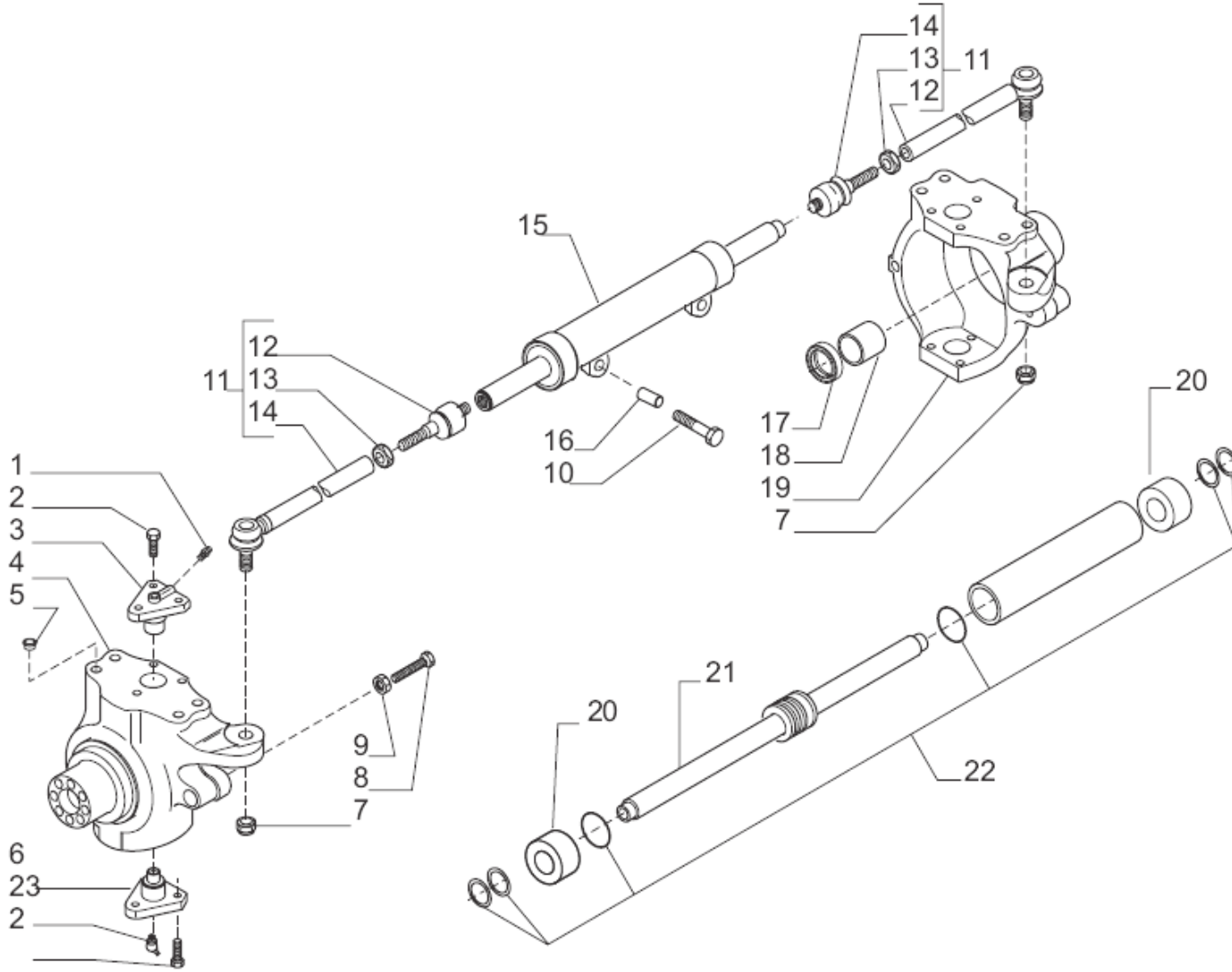


TANIM / DESCRIPTION

SAYFA NO / PAGE NUMBER

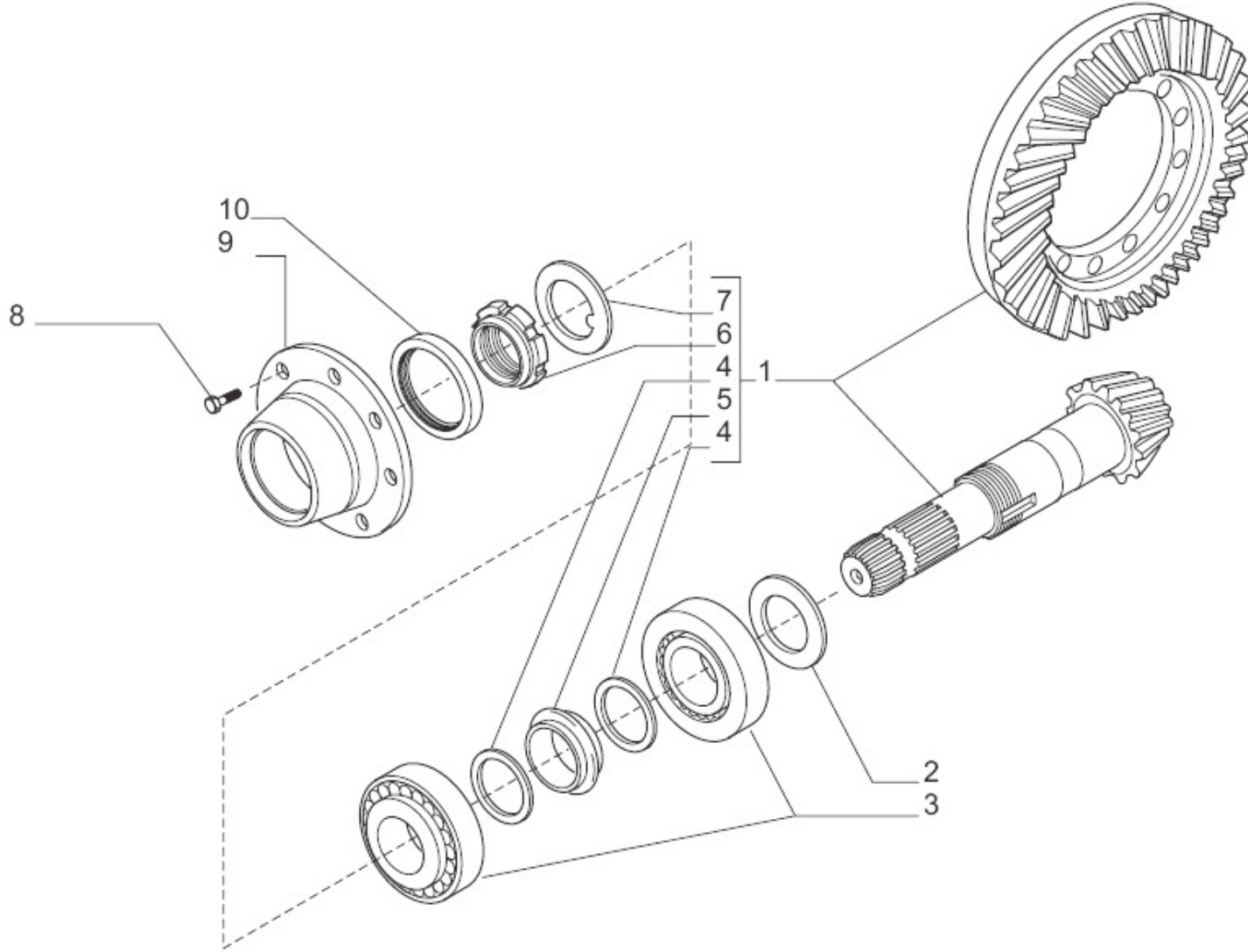
DİNGİL GÖVDESİ / AXLE HOUSING	001 – 002
DİNGİL KAFASI & DİREKSİYON SİLİNDİRİ / SWIVEL HOUSINGS & STEERING CYLINDER	003 – 004
AYNA MAHRUTİ DİŞLİLERİ / BEVEL GEAR SET	005 – 006
DİFERANSİYEL / DIFFERENTIAL	007 – 008
AKS MİLİ / DOUBLE U-JOINT	009 – 010
TEKERLEK GÖBEĞİ / WHEEL HUB	011 – 012
PLANET TAŞIYICI DİŞLİ GRUBU / PLANETARY CARRIER	013 – 014
BAĞLANTI ŞAFTI / DRIVESHAFT ASSEMBLY	015 – 016
GRESÖRLÜK / GREASE NIPPLE	017 – 018

DİNGİL GÖVDESİ / AXLE HOUSING

**DİNGİL KAFASI & DİREKSİYON SİLİNDİRİ /
SWIVEL HOUSINGS & STEERING CYLINDER**

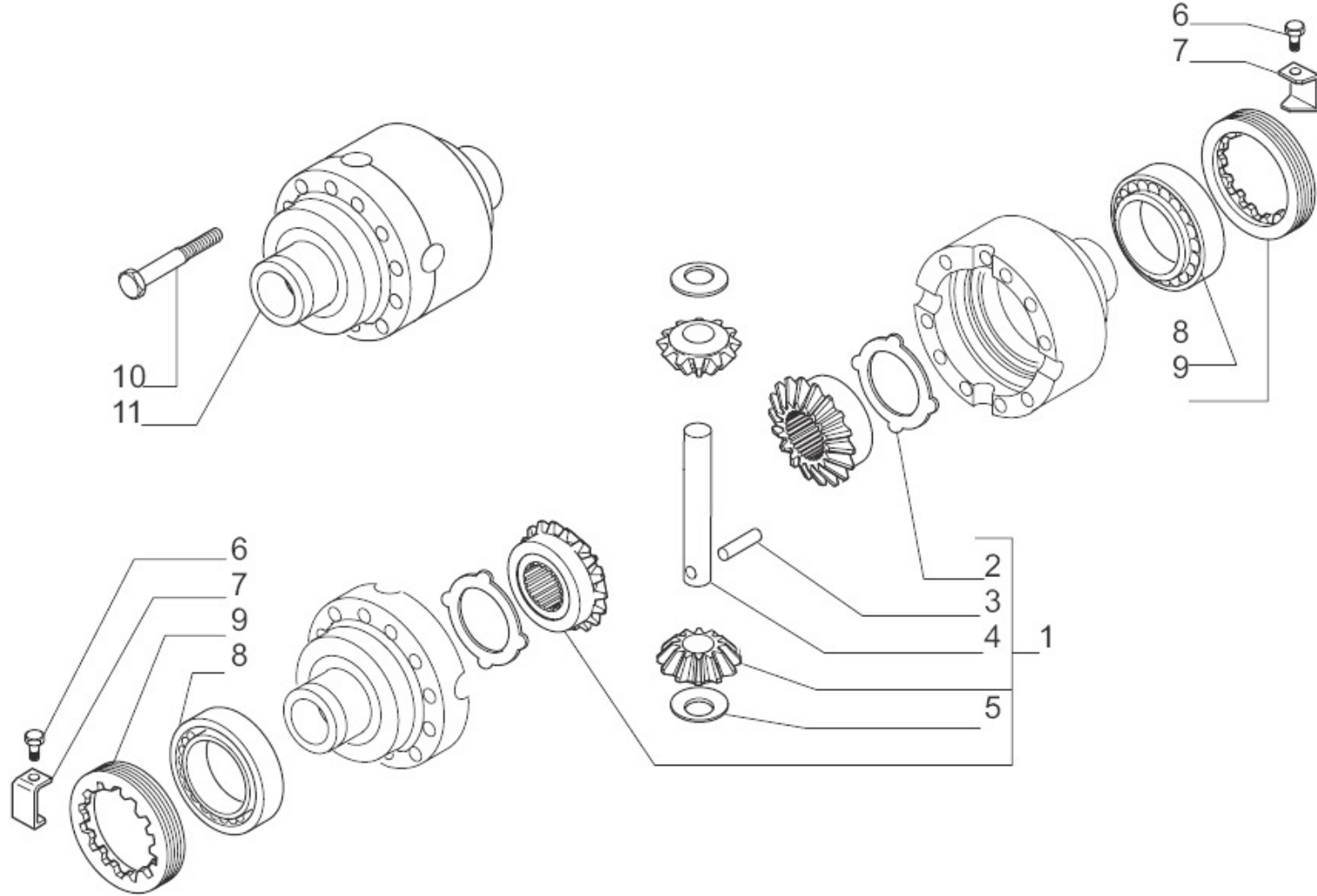
**DİNGİL KAFASI & DİREKSİYON SİLİNDİRİ /
SWIVEL HOUSINGS & STEERING CYLINDER**

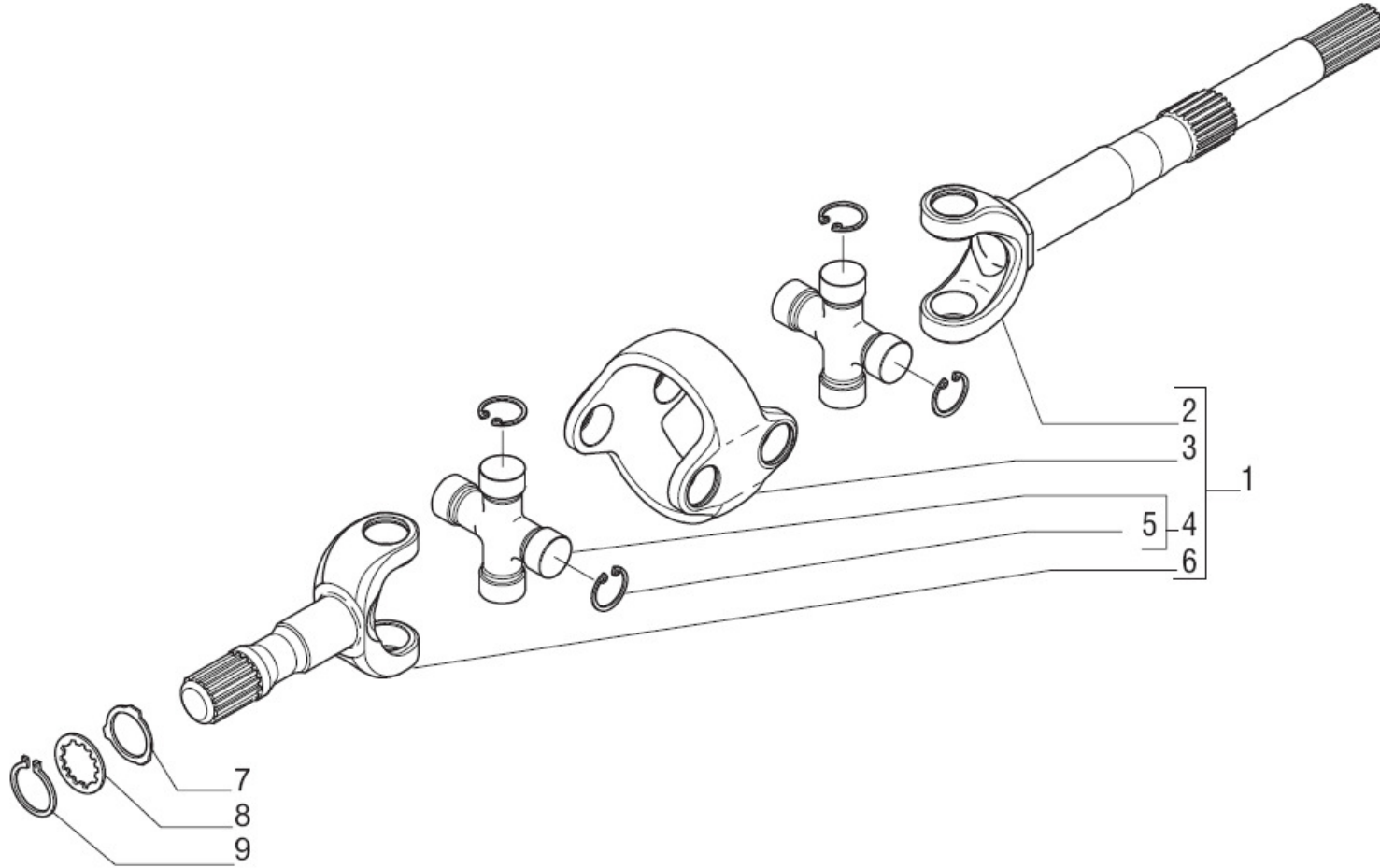
POS	YEDEK PARÇA KODU SPARE PART CODE	REFERANS KODU REFERENCE CODE	PARÇA TANIMI	DESCRIPTION	MİKTAR QTY.	NOT NOTE
1		024210	GRESÖRLÜK	NIPPLE, GREASE	2	M6x1
2		126922	CIVATA	BOLT	12	M14 x 35
3		128880	MUYLU	TRUNNION	2	
4		145265	DİNGİL KAFASI	SWIVEL HOUSING	1	SOL / LEFT
5		030755	TAPA	PLUG	8	D14.5
6		128881	MUYLU	TRUNNION	2	
7		022431	SOMUN	NUT	2	M20x1.5
8		127223	CIVATA	SCREW	2	M16 x 75
9		022129	SOMUN	NUT	2	M16
10		145073	CIVATA	SCREW	2	M18 x 95
11		145481	ROTİL KOMPLESİ	STEERING ARM	2	
12		351144	ROT BAĞLANTISI	TIE ROD	2	
13		070787	SOMUN	NUT	2	
14		350878	ROTİL	BALL JOINT	2	
15		147241	DİREKSİYON SİLİNDİRİ	STEERING CYLINDER	1	
16		141082	BURÇ	BUSHING	1	
17		641735	KEÇE	SEAL RING	2	
18		125390	BURÇ	BUSHING	2	
19		145264	DİNGİL KAFASI	SWIVEL HOUSING	1	SAĞ / RIGHT
20		049943	BOĞAZ	CYLINDER HEAD	2	
21		049963	SİLİNDİR MİLİ	ROD	1	
22		049944	TAMİR TAKIMI	SEAL KIT	1	
23		024211	GRESÖRLÜK	NIPPLE, GREASE	2	M6x1 (45°)

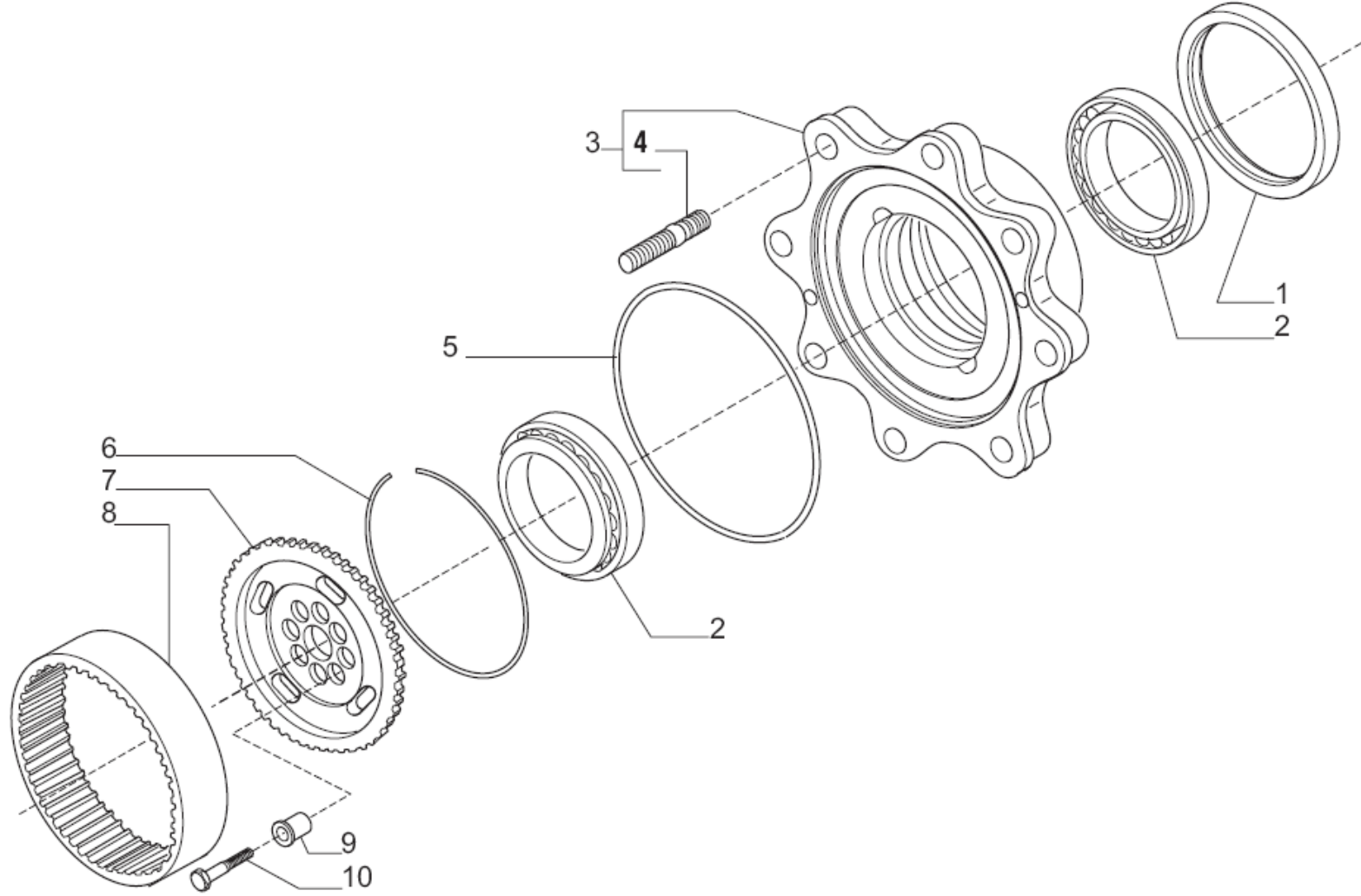


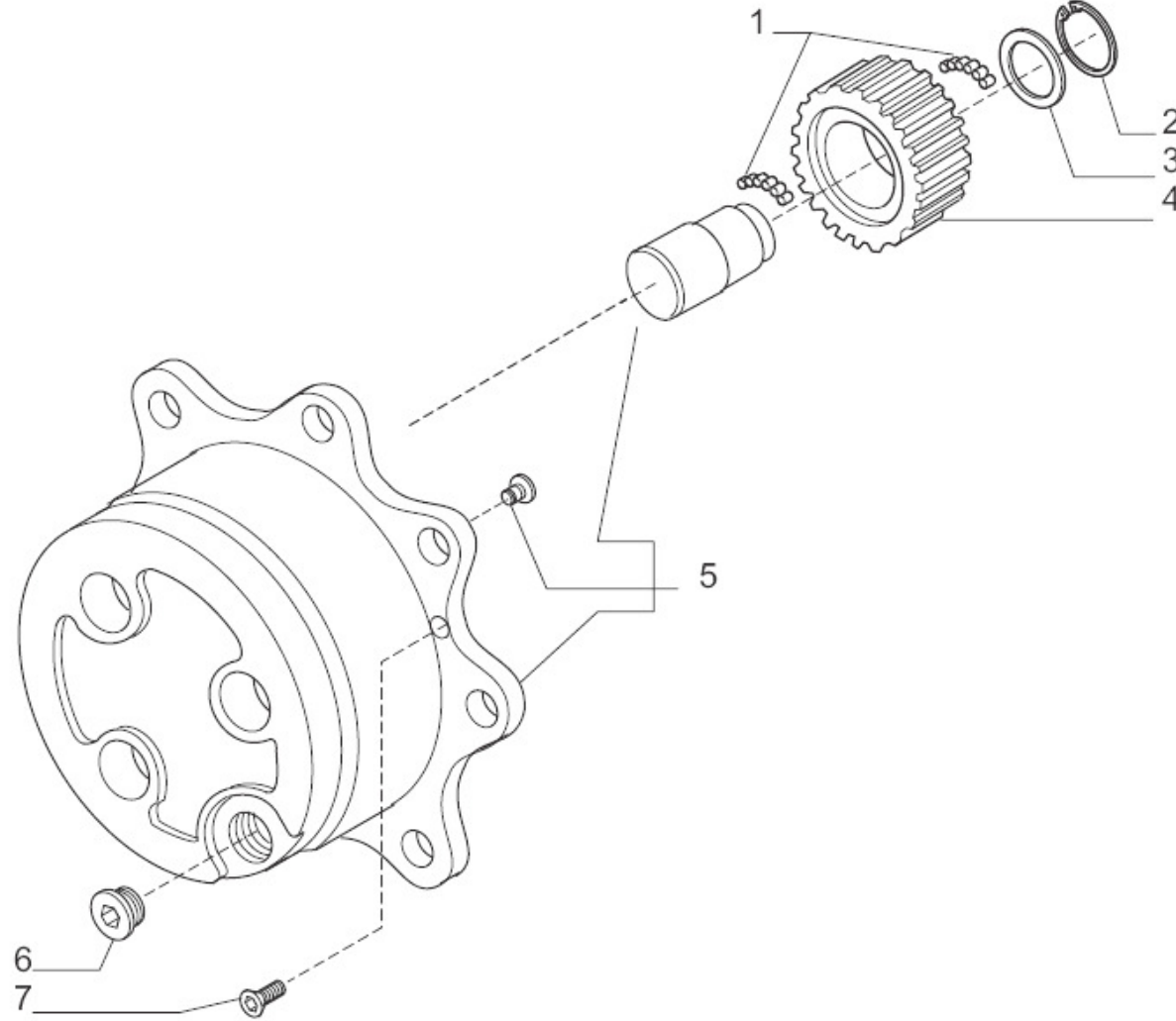
AYNA MAHRUTİ DİŞLİLERİ / BEVEL GEAR SET

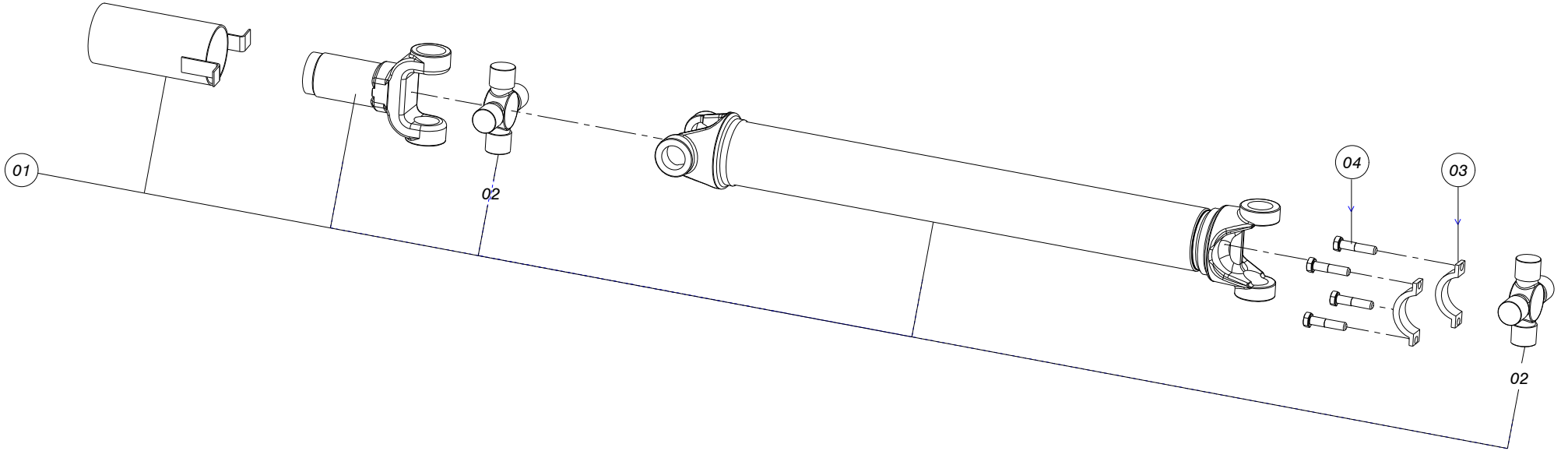
POS	YEDEK PARÇA KODU SPARE PART CODE	REFERANS KODU REFERENCE CODE	PARÇA TANIMI	DESCRIPTION	MİKTAR QTY.	NOT NOTE
1		068215	AYNA & MAHRUTİ DİŞLİ SETİ	BEVEL GEAR SET	1	15/31 M542 makinalarda kullanıldı / Used in M542 machines
1		066072	AYNA & MAHRUTİ DİŞLİ SETİ	BEVEL GEAR SET	1	13/30 M542-20" makinalarda kullanıldı / Used in M542-20" machines
2		132265	ŞİM	SHIM		2.5 mm
2		132266	ŞİM	SHIM		2.6 mm
2		132267	ŞİM	SHIM		2.7 mm
2		132268	ŞİM	SHIM		2.8 mm
2		132269	ŞİM	SHIM		2.9 mm
2		132270	ŞİM	SHIM		3.0 mm
2		132271	ŞİM	SHIM		3.1 mm
2		132272	ŞİM	SHIM		3.2 mm
2		132273	ŞİM	SHIM		3.3 mm
2		132274	ŞİM	SHIM		3.4 mm
3		027350	RULMAN	BEARING	2	
4		125829	PUL	WASHER	2	
5		125806	BİLEZİK, ELASTİK	SPACER, COLLAPSIBLE	1	
6		115054	SOMUN	RING NUT	1	M40x1.5
7		113717	PUL, KİLİTLEME	LOCK WASHER	1	
8		020746	CIVATA	BOLT	6	M6x16
9		136868	FLANŞ	FLANGE	1	
10		134363	KEÇE	OIL SEAL RING	1	

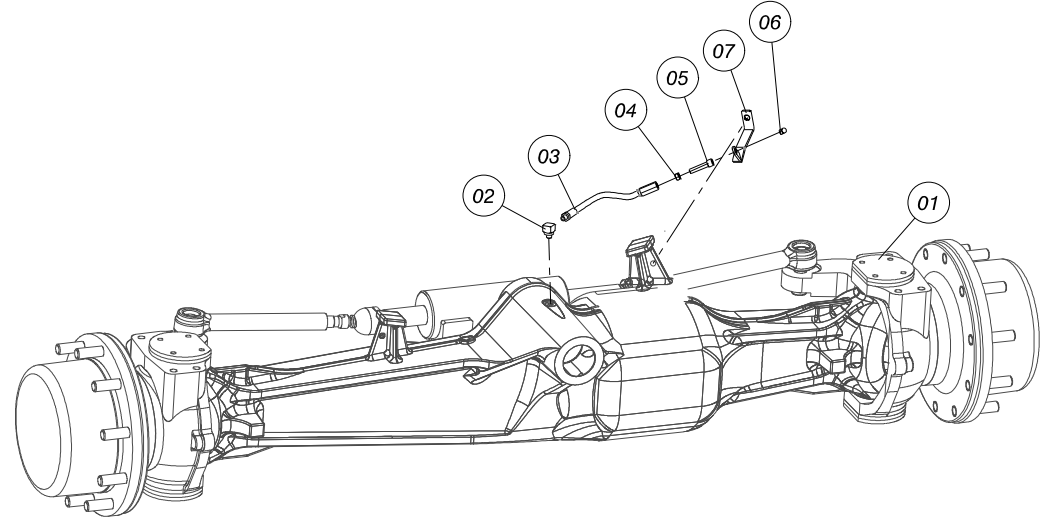
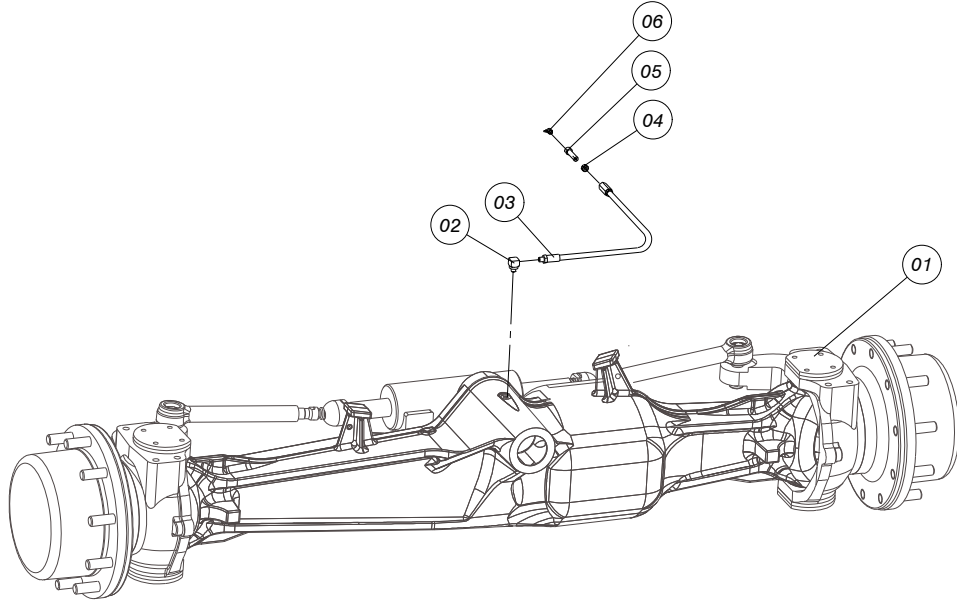


AKS MİLİ / DOUBLE U-JOINT

TEKERLEK GÖBEĐİ / WHEEL HUB





GRESÖRLÜK / GREASE NIPPLE

3 - ÖN DİNGİL / FRONT AXLE (M544)



TANIM / DESCRIPTION

SAYFA NO / PAGE NUMBER

DİNGİL GÖVDESİ / AXLE HOUSING

001 – 002

DİNGİL KAFASI & DİREKSİYON SİLİNDİRİ / SWIVEL HOUSINGS & STEERING CYLINDER

003 – 004

AYNA MAHRUTİ DİŞLİLERİ / BEVEL GEAR SET

005 – 006

DİFERANSİYEL / DIFFERENTIAL

007 – 008

AKS MİLİ / DOUBLE U-JOINT

009 – 010

TEKERLEK GÖBEĞİ / WHEEL HUB

011 – 012

POYRA / PLANETARY CARRIER

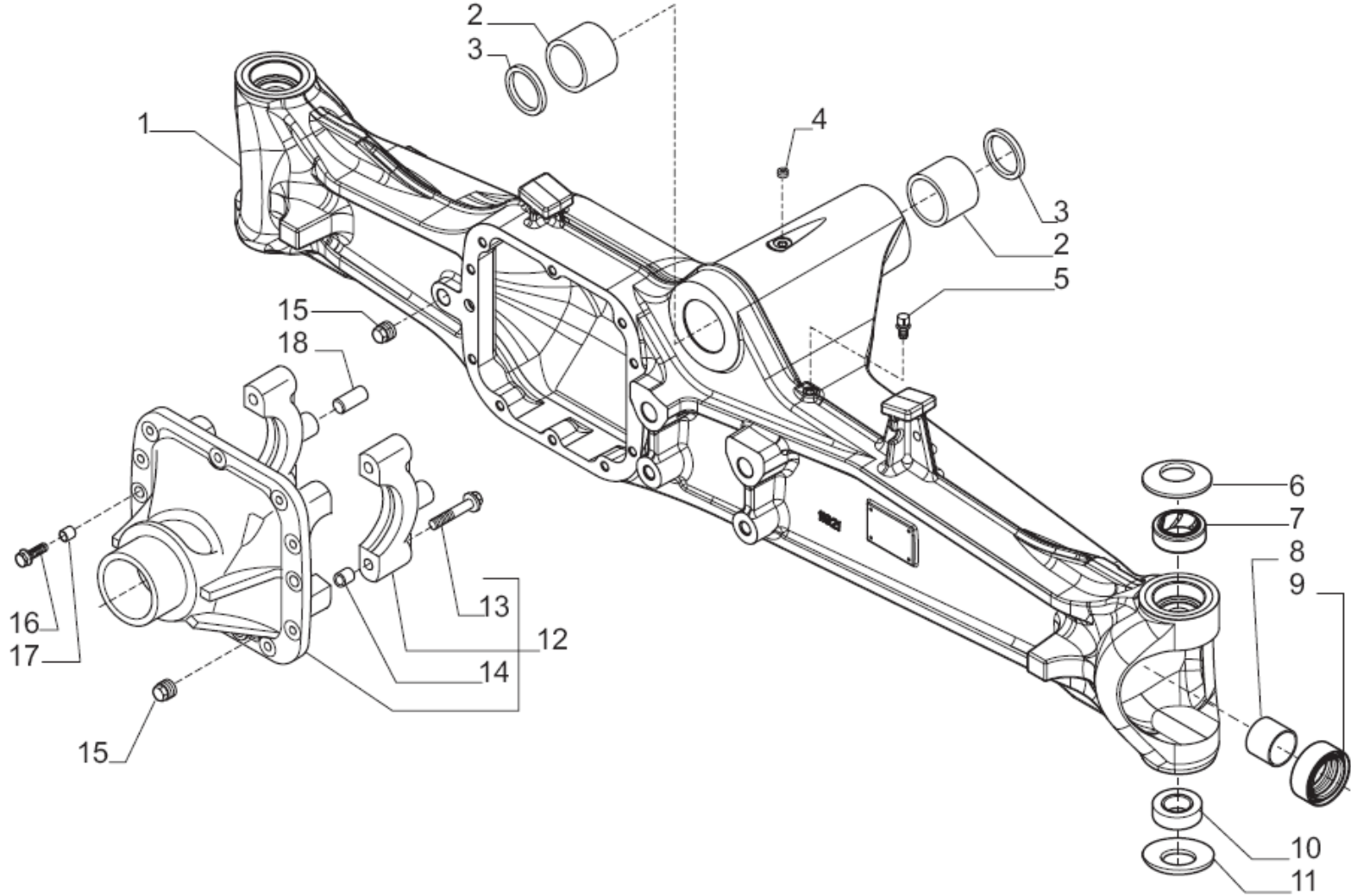
013 – 014

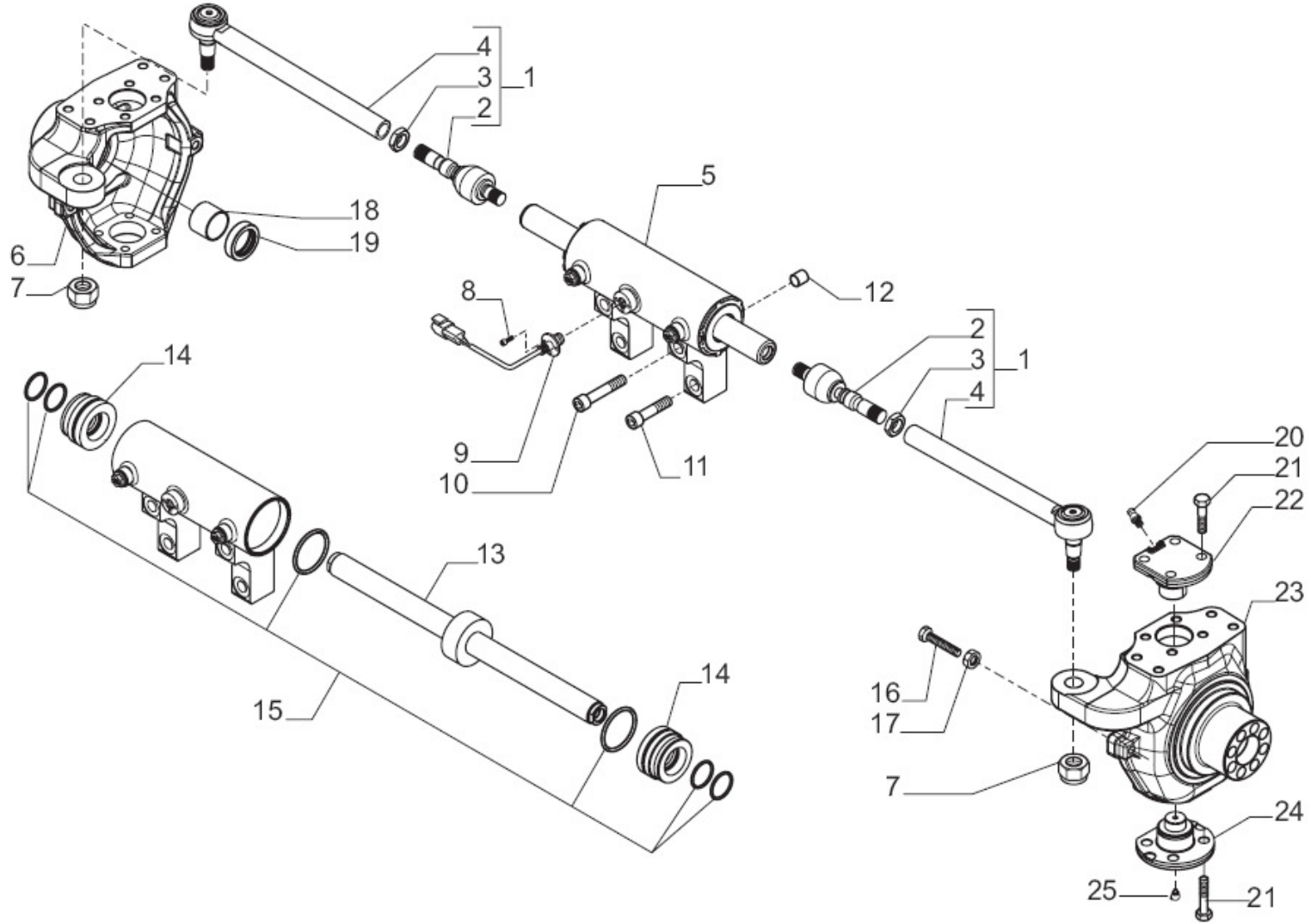
BAĞLANTI ŞAFTI / DRIVESHAFT ASSEMBLY

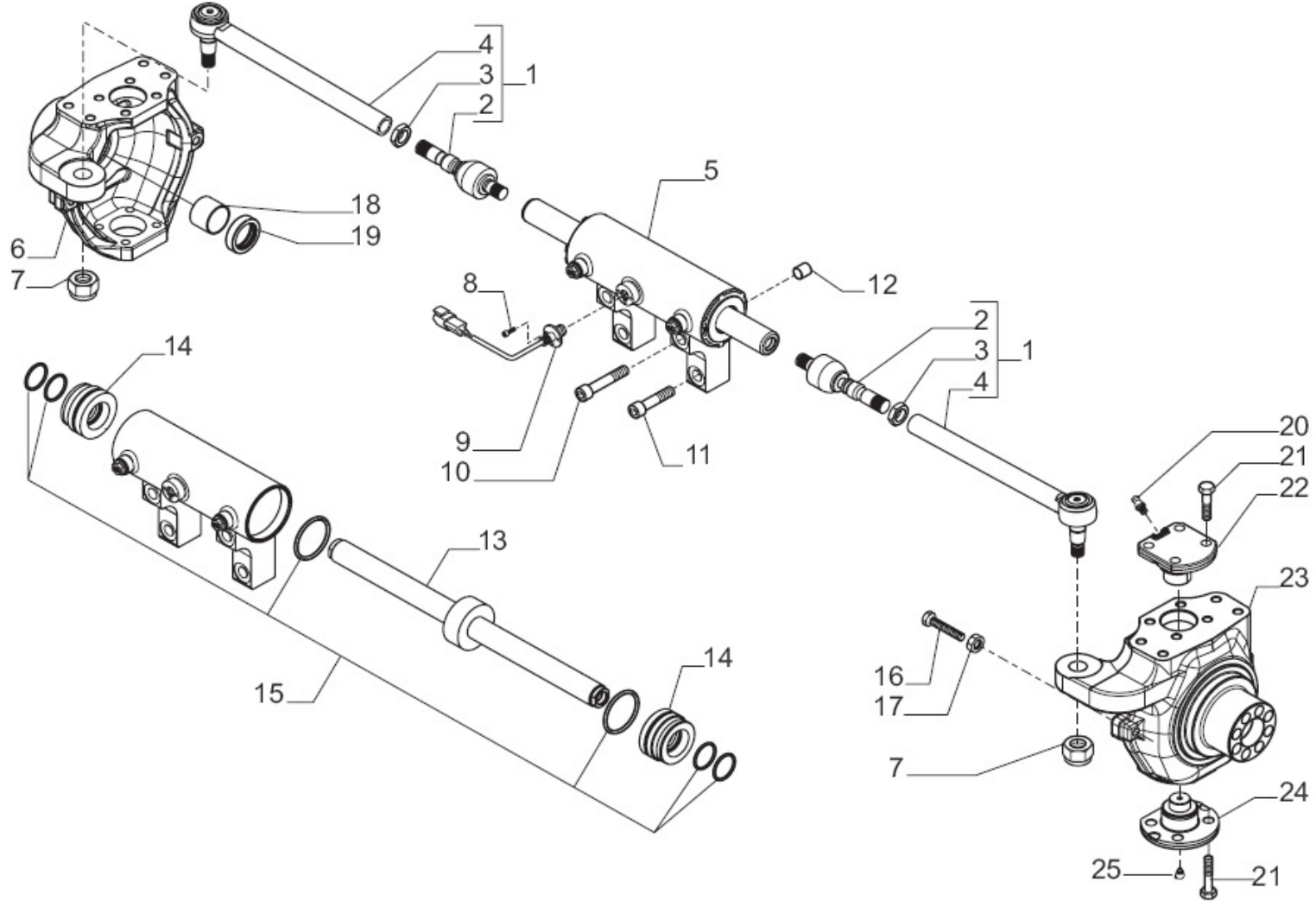
015 – 016

GRESÖRLÜK / GREASE NIPPLE

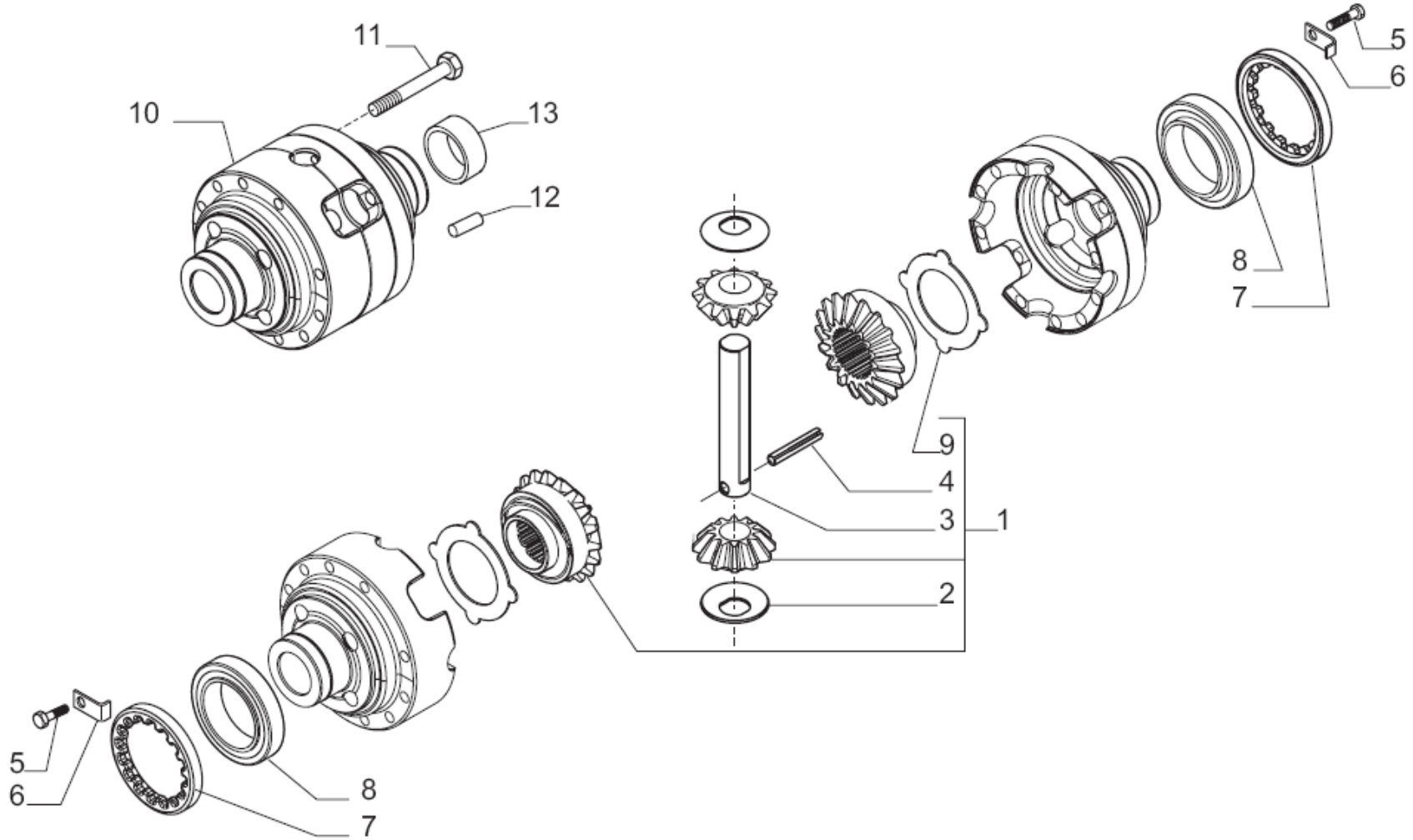
017 – 018

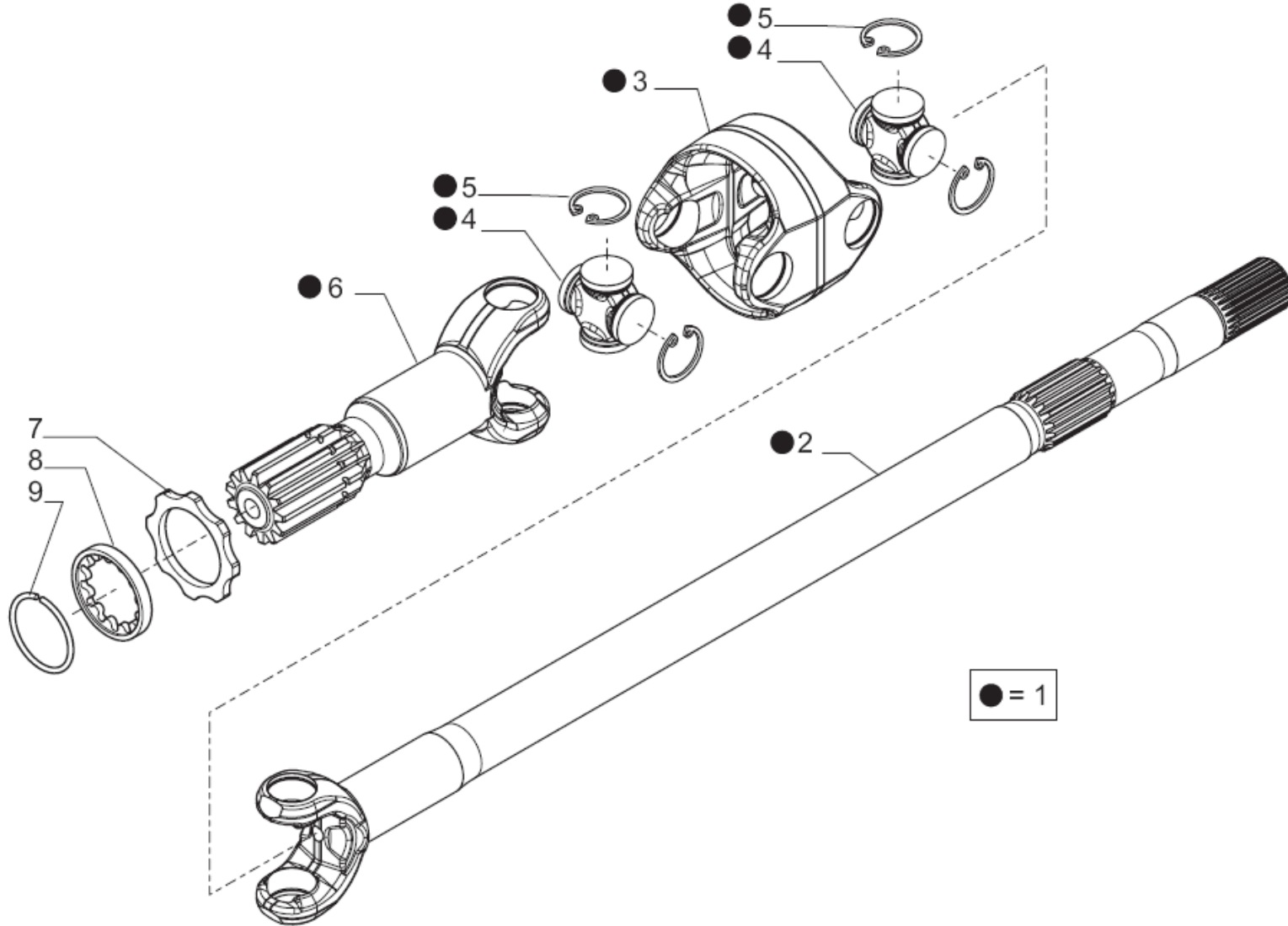
DİNGİL GÖVDESİ / AXLE HOUSING

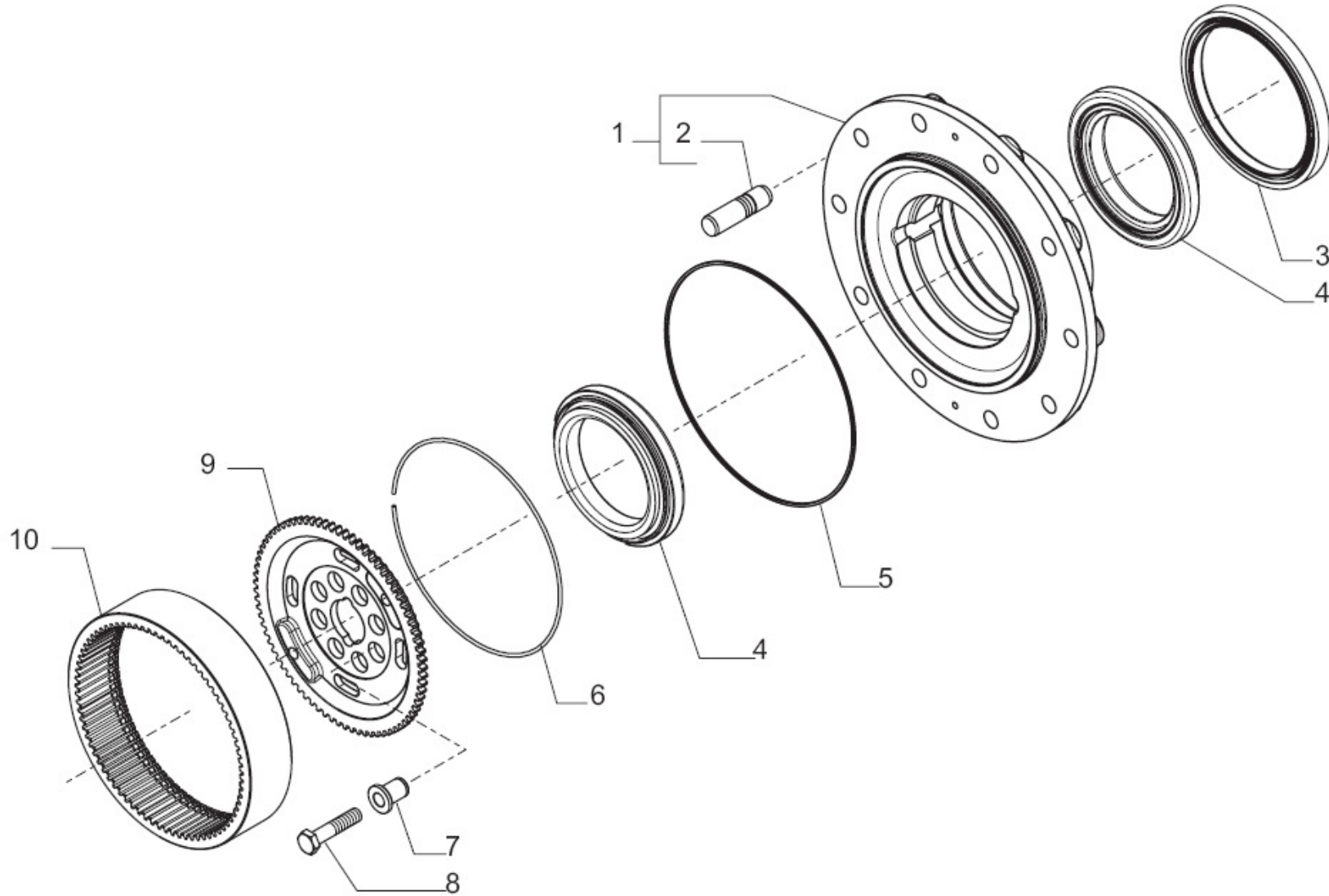


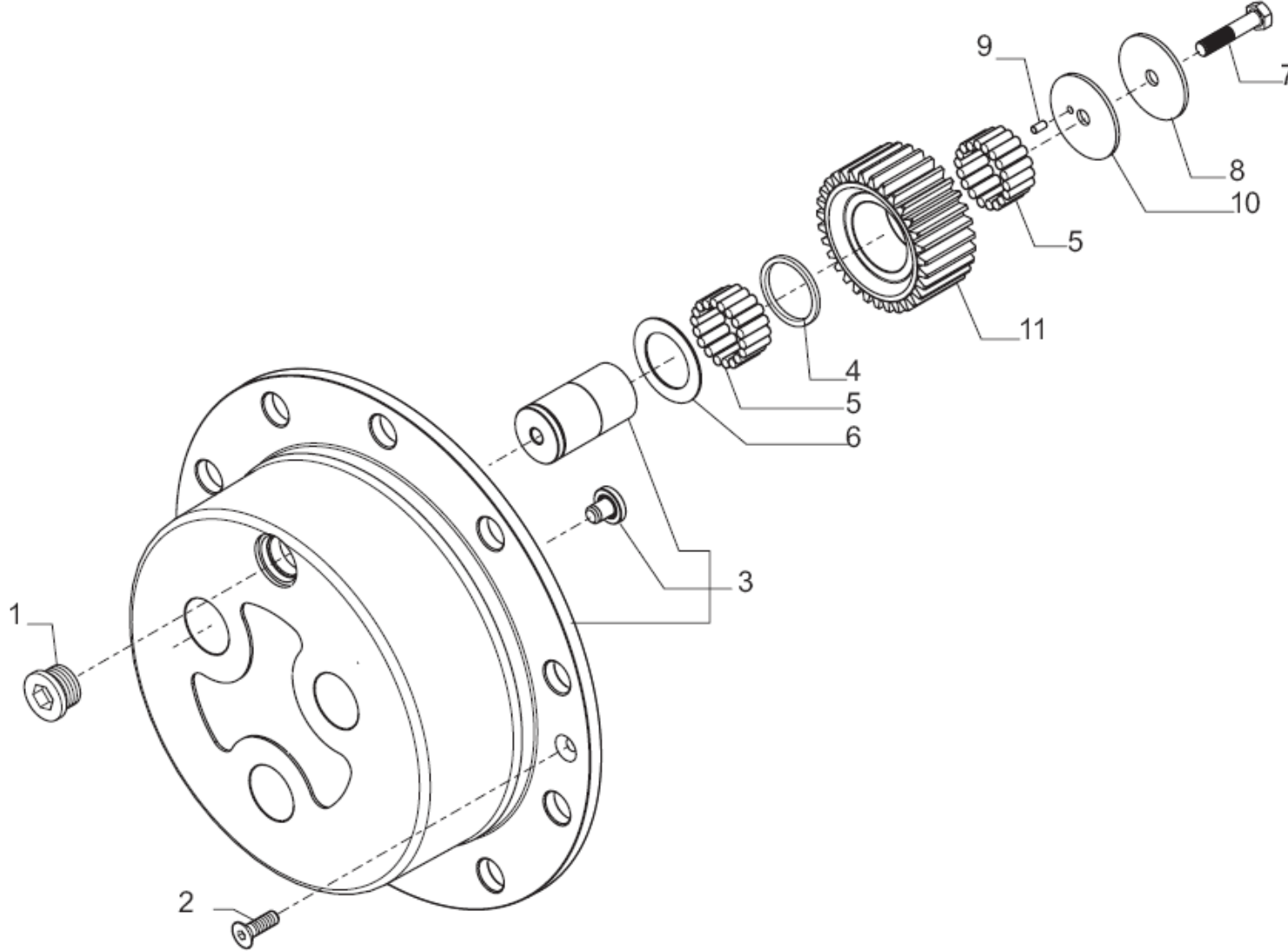
AYNA MAHRUTİ DİŞLİLERİ / BEVEL GEAR SET

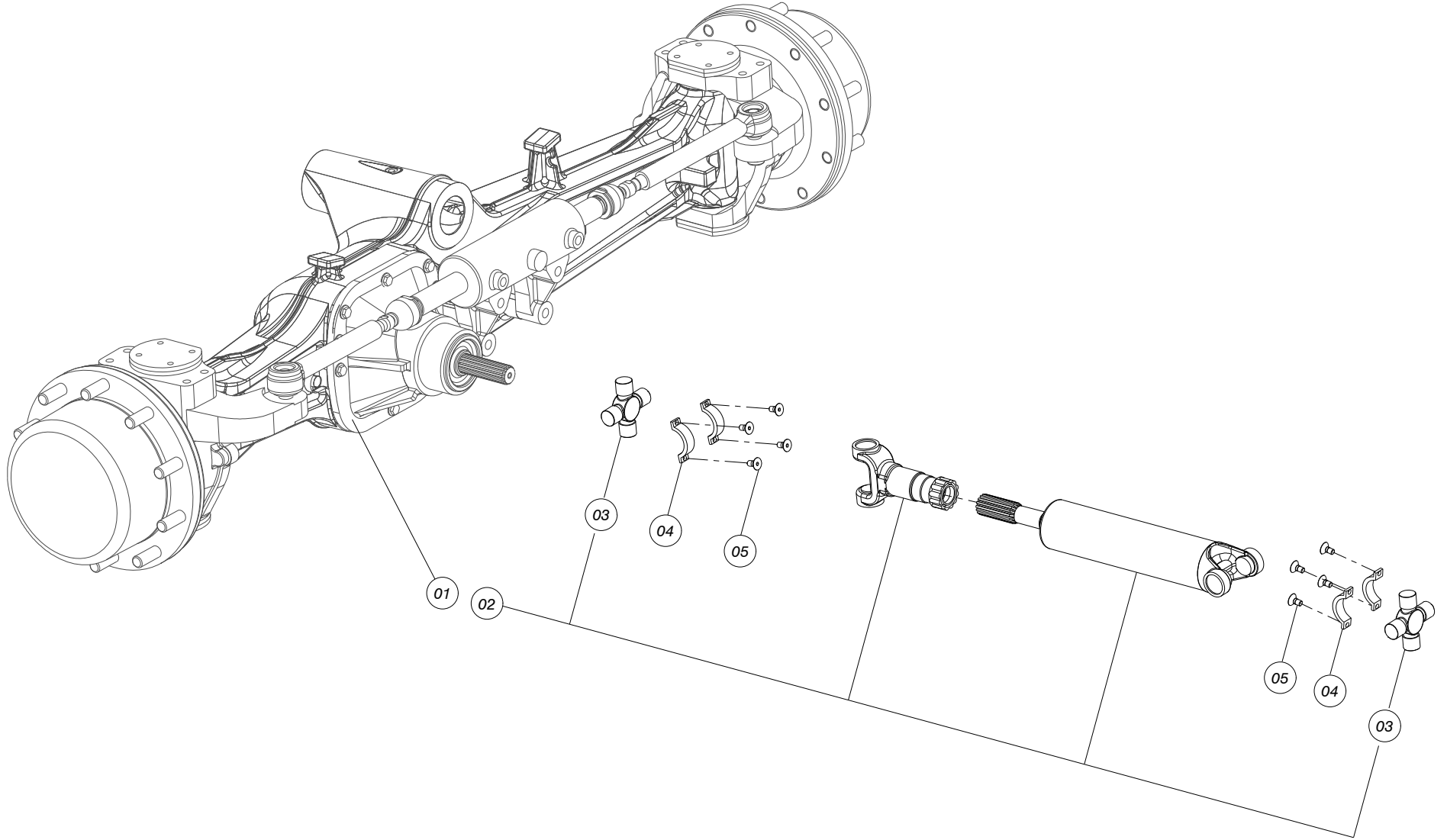
POS	YEDEK PARÇA KODU SPARE PART CODE	REFERANS KODU REFERENCE CODE	PARÇA TANIMI	DESCRIPTION	MİKTAR QTY.	NOT NOTE
1		066941	AYNA & MAHRUTİ DİŐLİ SETİ	BEVEL GEAR SET	1	15/37
2		113717	PUL, KİLİTLEME	WASHER, LOCK	1	
3		115054	SOMUN	NUT, RING	1	M40x1.5
4		125829	PUL	WASHER	2	
5		138692	BİLEZİK, ELASTİK	SPACER, COLLAPSIBLE	1	
6		134186	ŐİM	SHIM		2.50 mm
6		134187	ŐİM	SHIM		2.60 mm
6		134188	ŐİM	SHIM		2.70 mm
6		134189	ŐİM	SHIM		2.80 mm
6		134190	ŐİM	SHIM		2.90 mm
6		134191	ŐİM	SHIM		3.00 mm
6		134192	ŐİM	SHIM		3.10 mm
6		134193	ŐİM	SHIM		3.20 mm
6		134194	ŐİM	SHIM		3.30 mm
6		134195	ŐİM	SHIM		3.40 mm
7		027351	RULMAN	BEARING	1	
8		027350	RULMAN	BEARING	1	
9		123402	PUL	WASHER	1	
10		028532	O-ŐİNG	O-RING	1	
11		145050	KEŐE	SEAL RING	1	
12		144332	FLANŐ	FLANGE	1	
13		024789	SEGMAN	CIRCLIP	1	

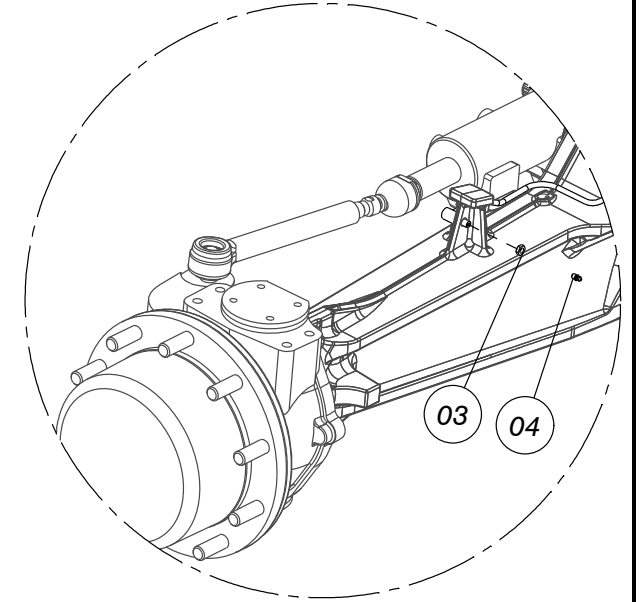
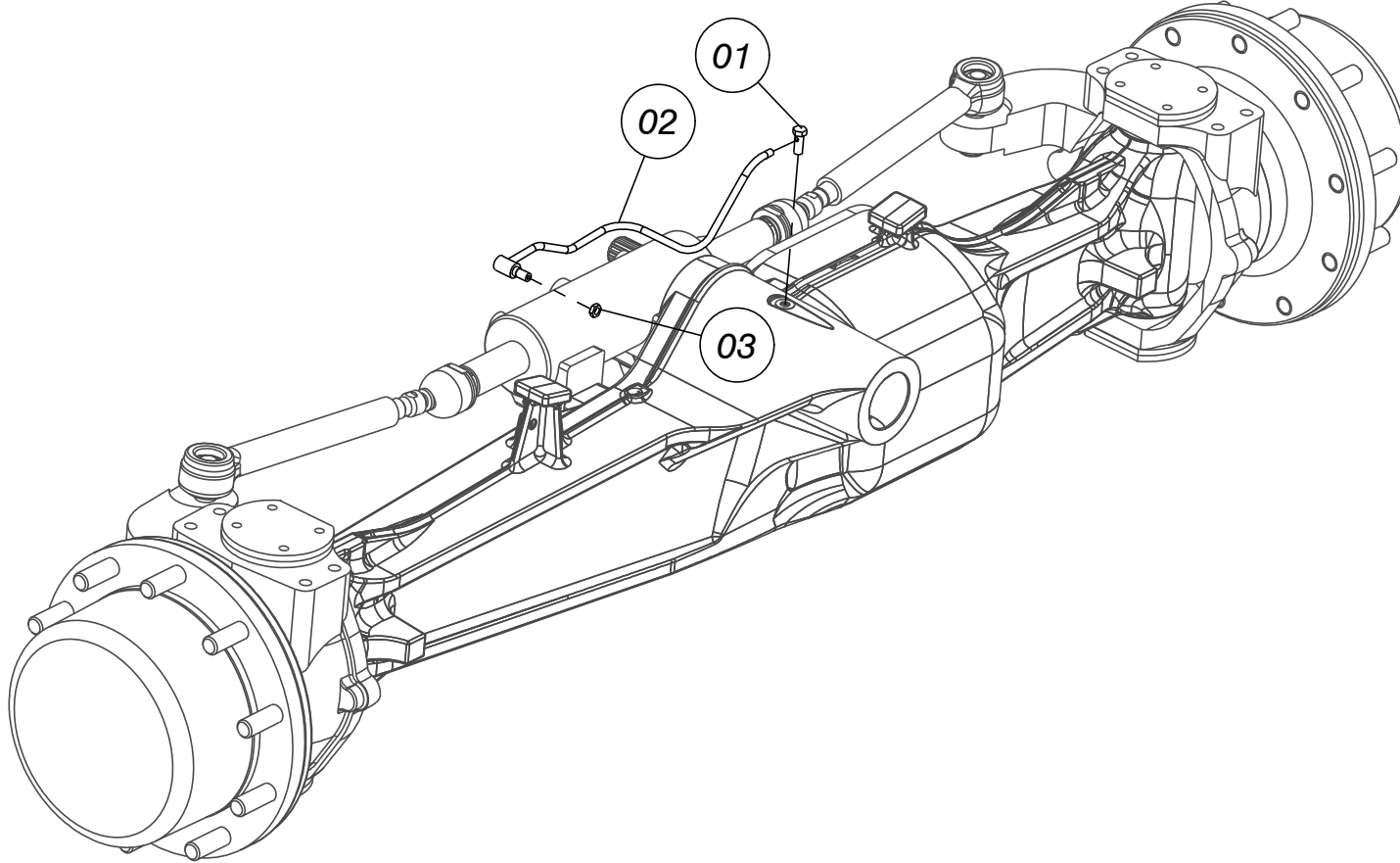


AKS MİLİ / DOUBLE U-JOINT

TEKERLEK GÖBEĐİ / WHEEL HUB







4 – ARKA DİNGİL / REAR AXLE (M542)



TANIM / DESCRIPTION

SAYFA NO / PAGE NUMBER

DİNGİL GÖVDESİ / AXLE HOUSING

001 – 002

AYNA MAHRUTİ DİŞLİ SETİ / BEVEL GEAR SET

003 – 004

DİFERANSİYEL / DIFFERENTIAL

005 – 006

AKS MİLİ / SHAFTS

007 – 008

FREN SİSTEMİ / BRAKE SYSTEM

009 – 010

TEKERLEK GÖBEĞİ / WHEEL HUB

011 – 012

POYRA / PLANETARY CARRIER

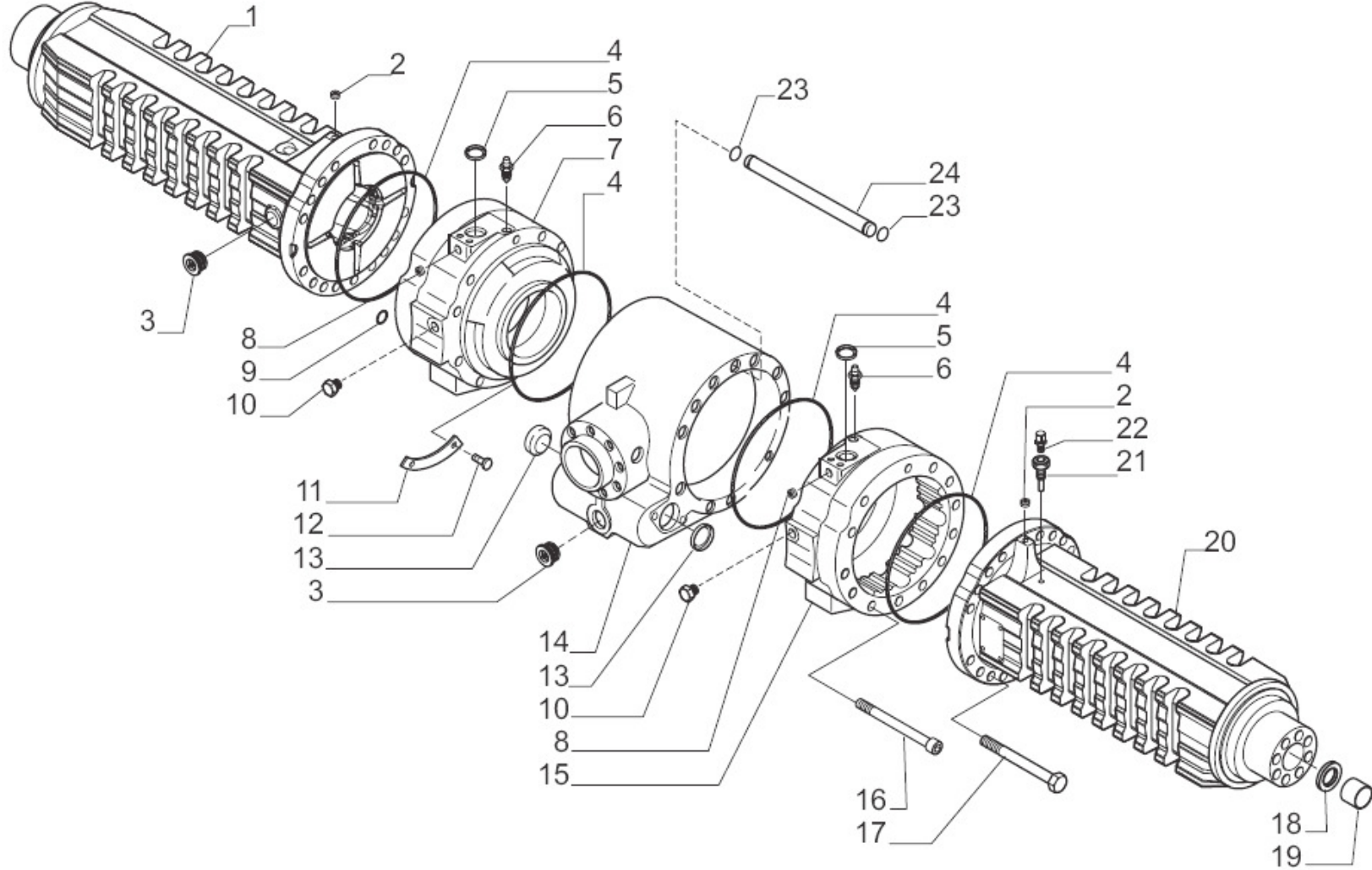
013 – 014

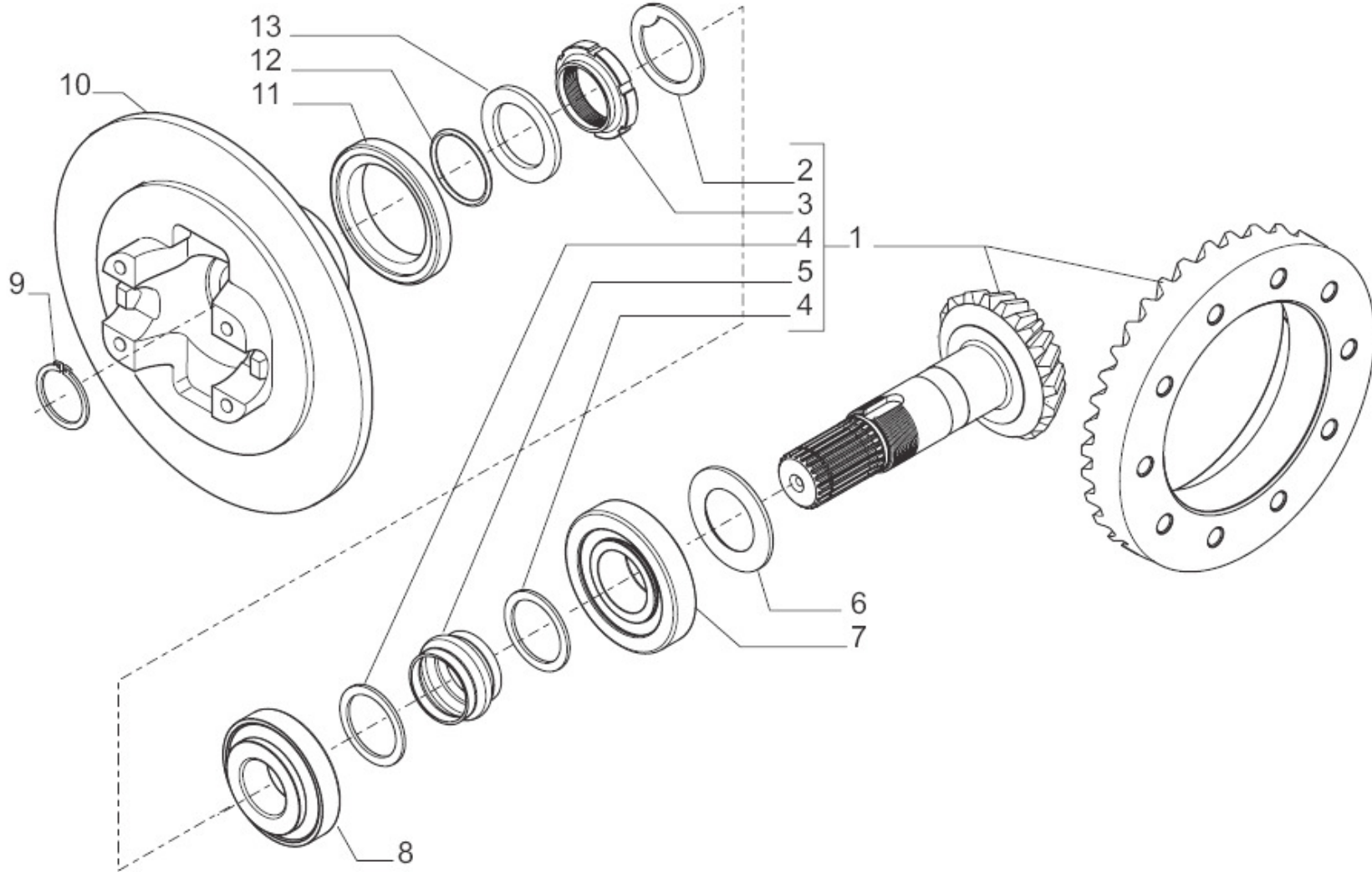
PARK FREN KALİPERİ / PARK BRAKE CALIPER

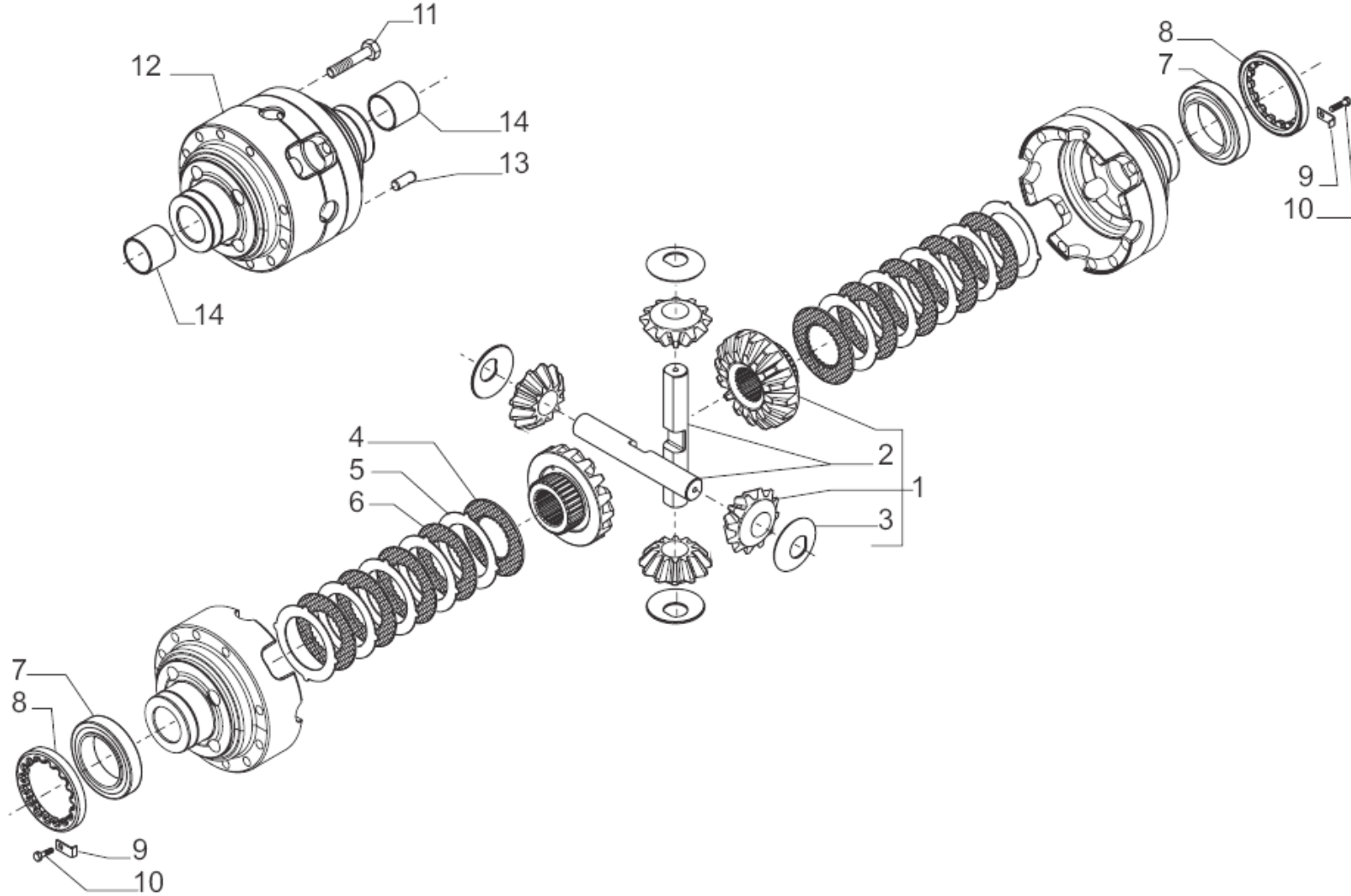
015 – 016

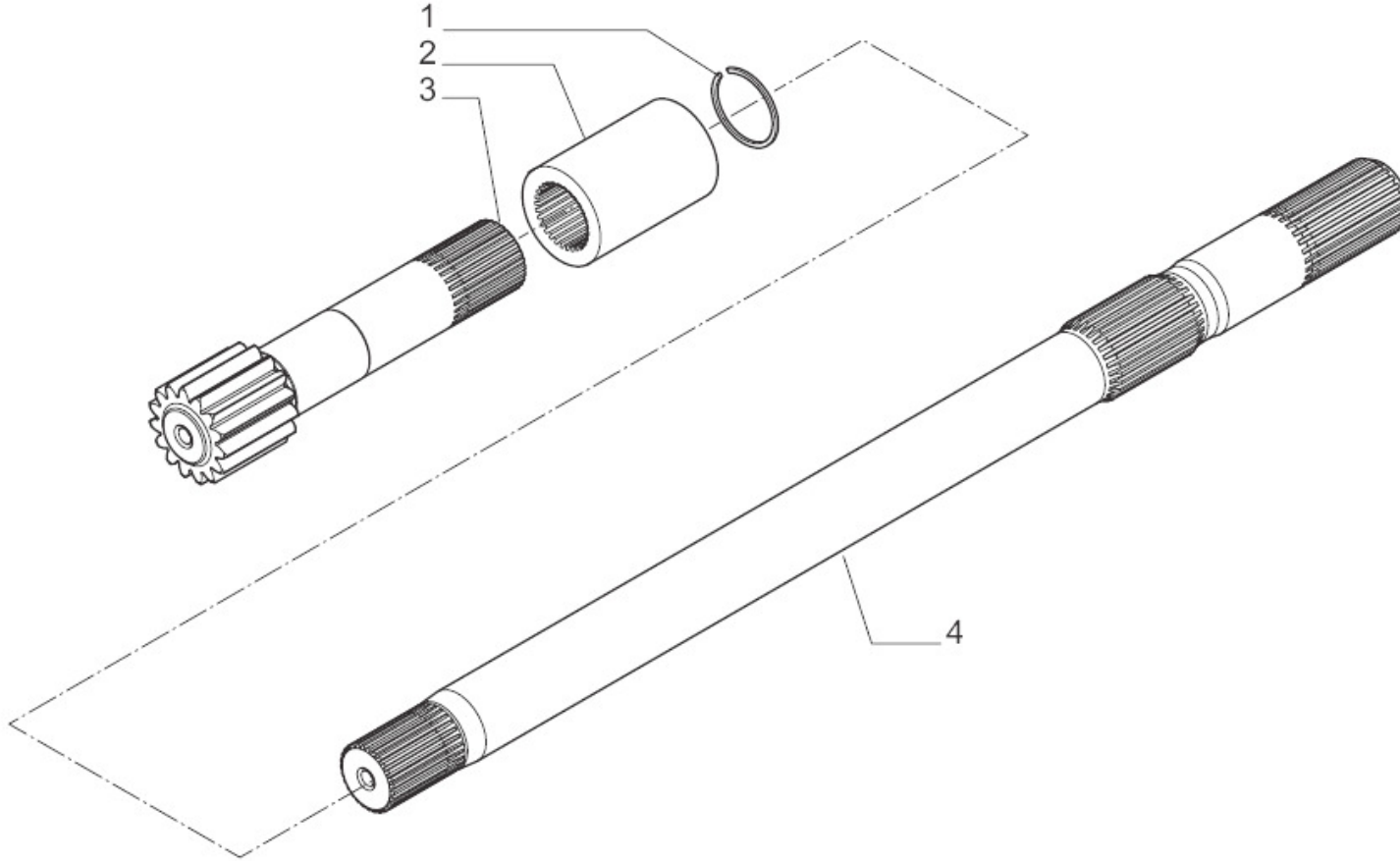
BAĞLANTI ŞAFTI / DRIVESHAFT ASSEMBLY

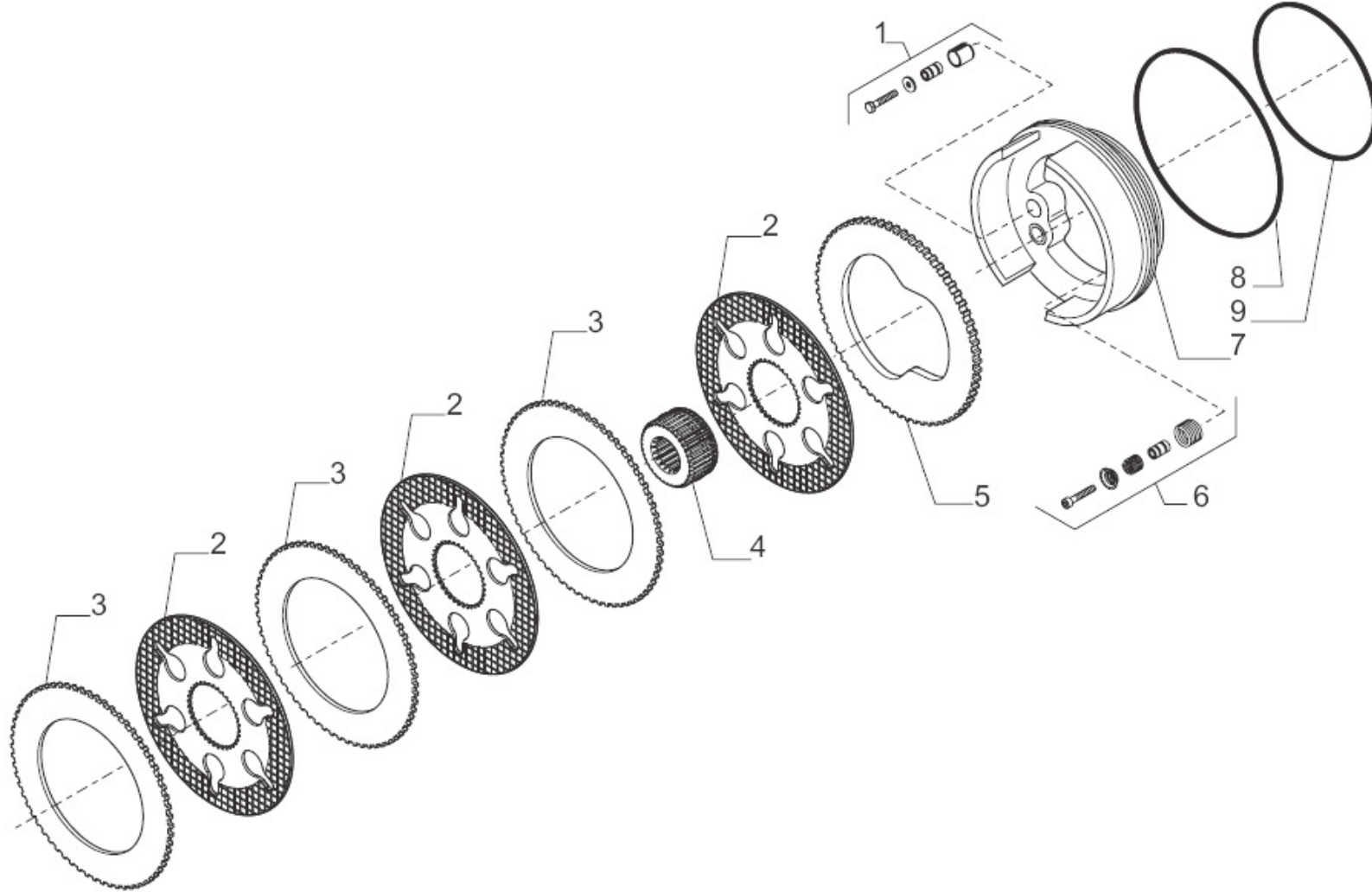
017 – 018

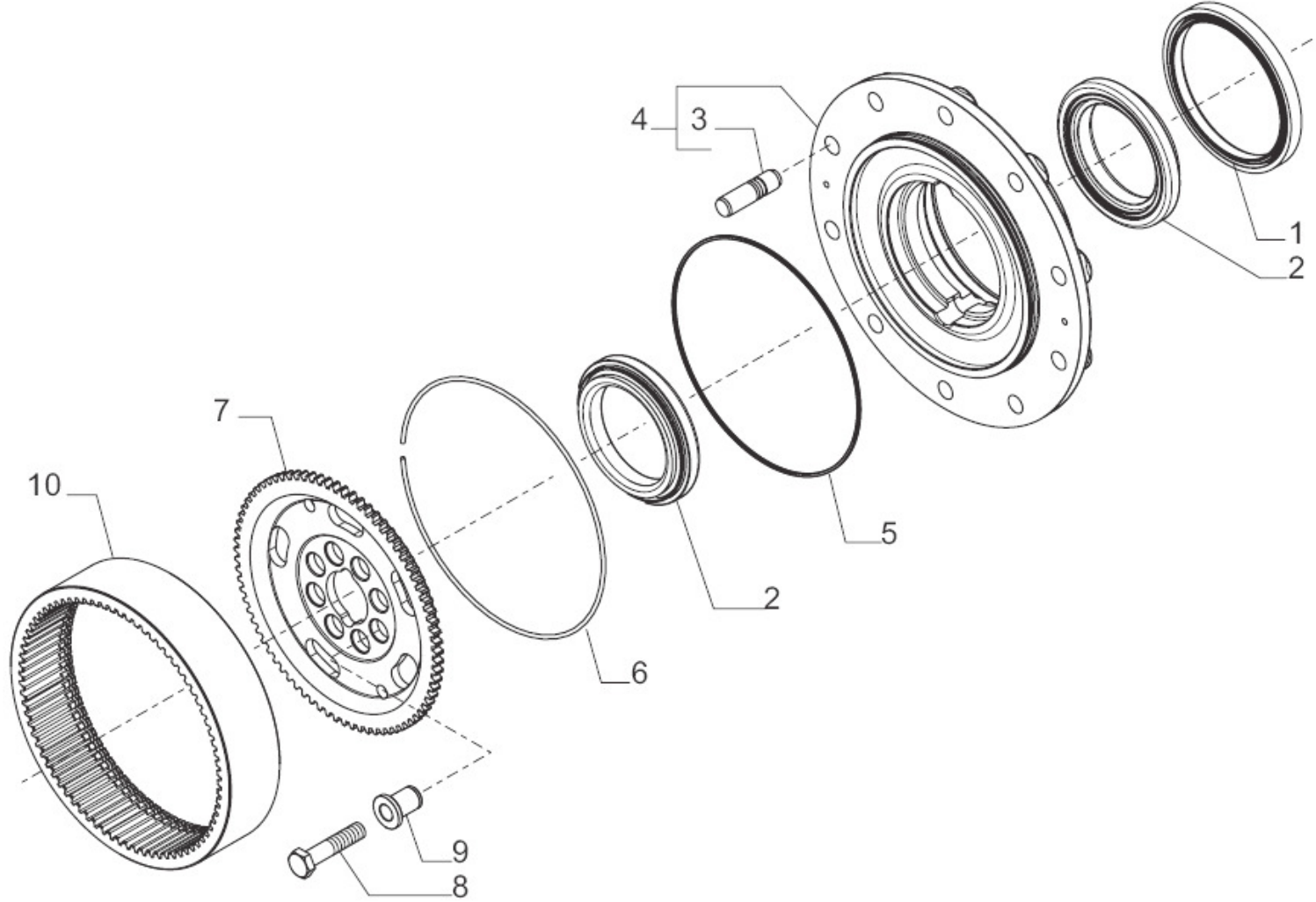
DİNGİL GÖVDESİ / AXLE HOUSING

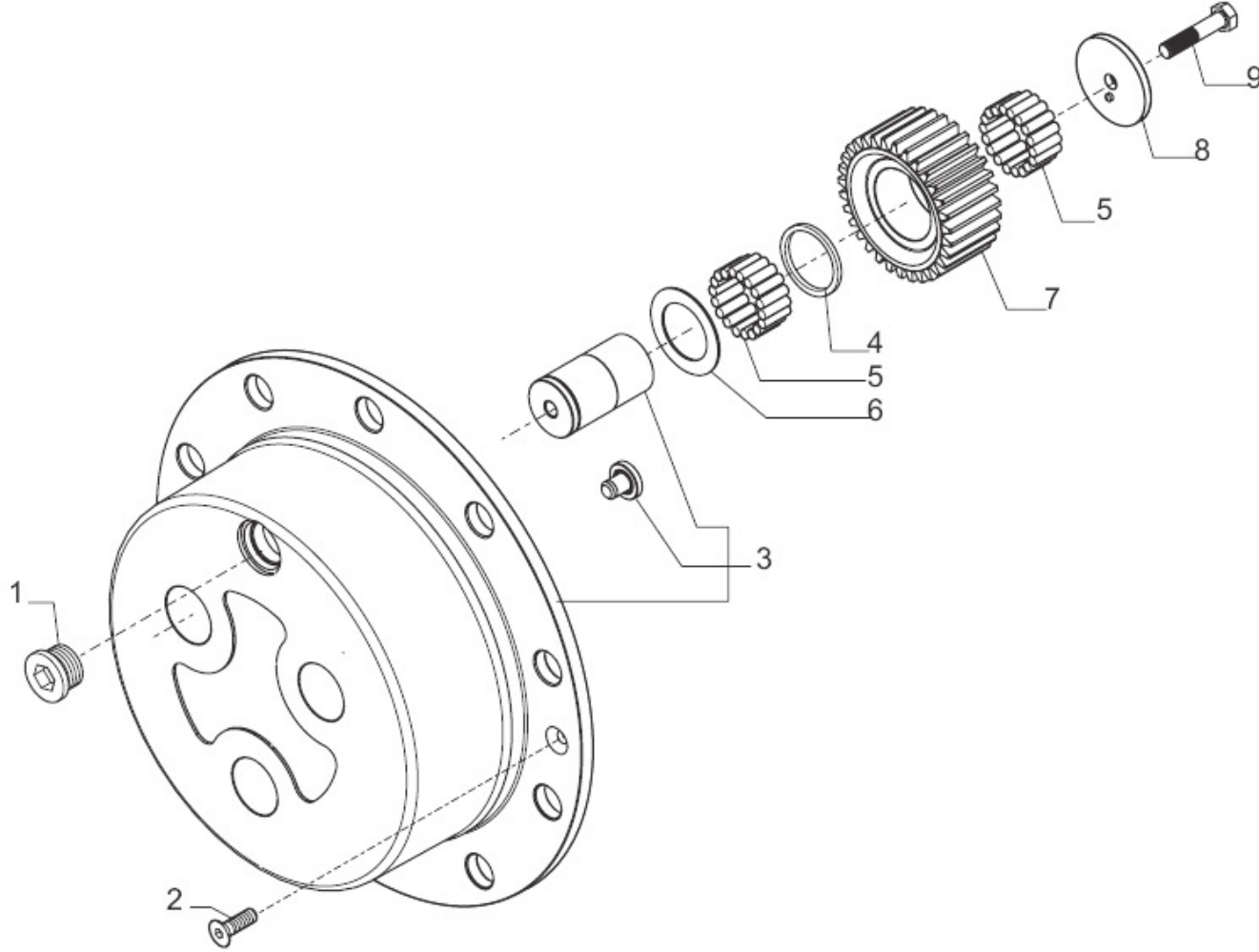
AYNA MAHRUTİ DİŐLİ SETİ / BEVEL GEAR SET

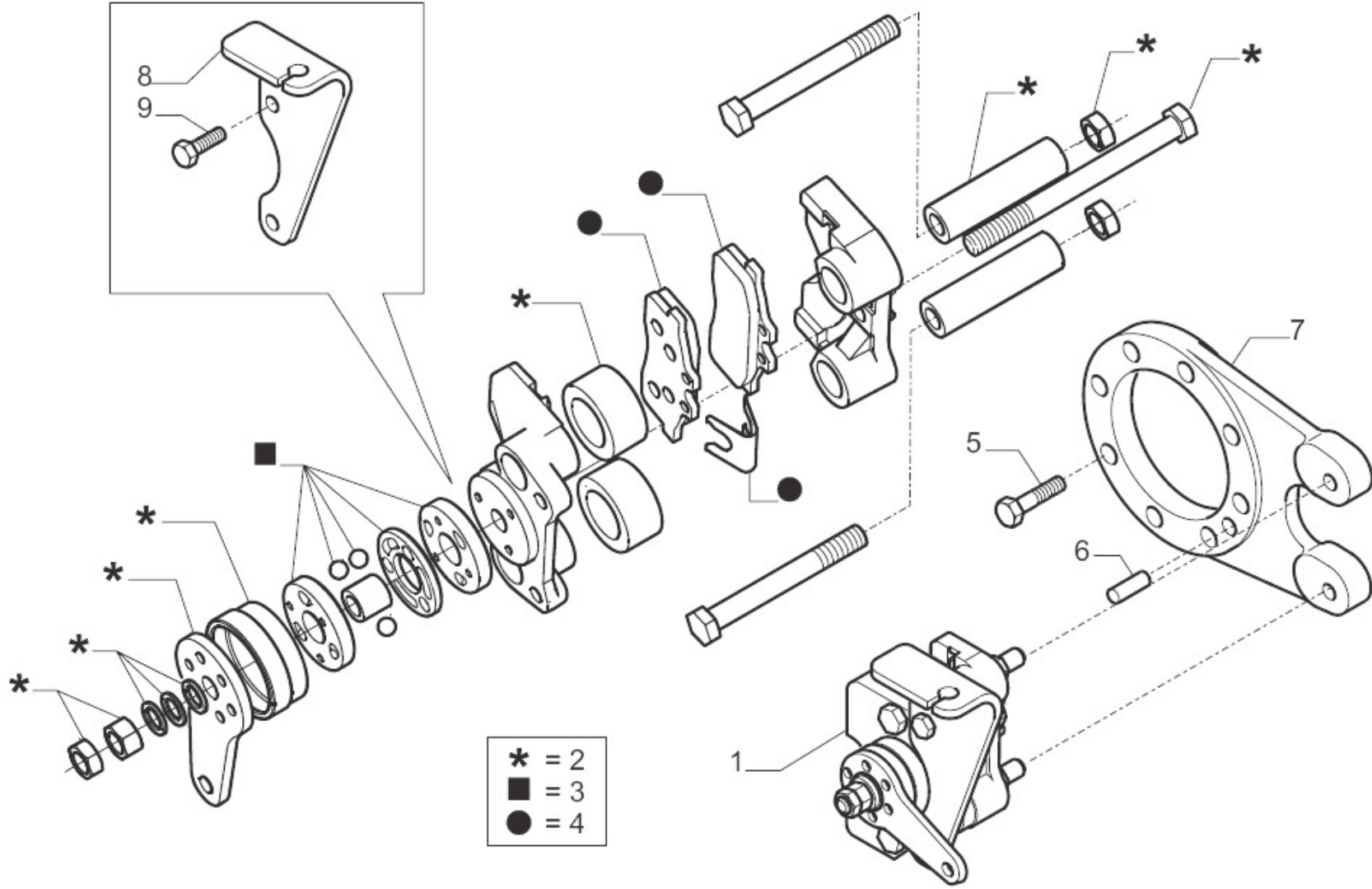
DİFERANSİYEL / DIFFERENTIAL

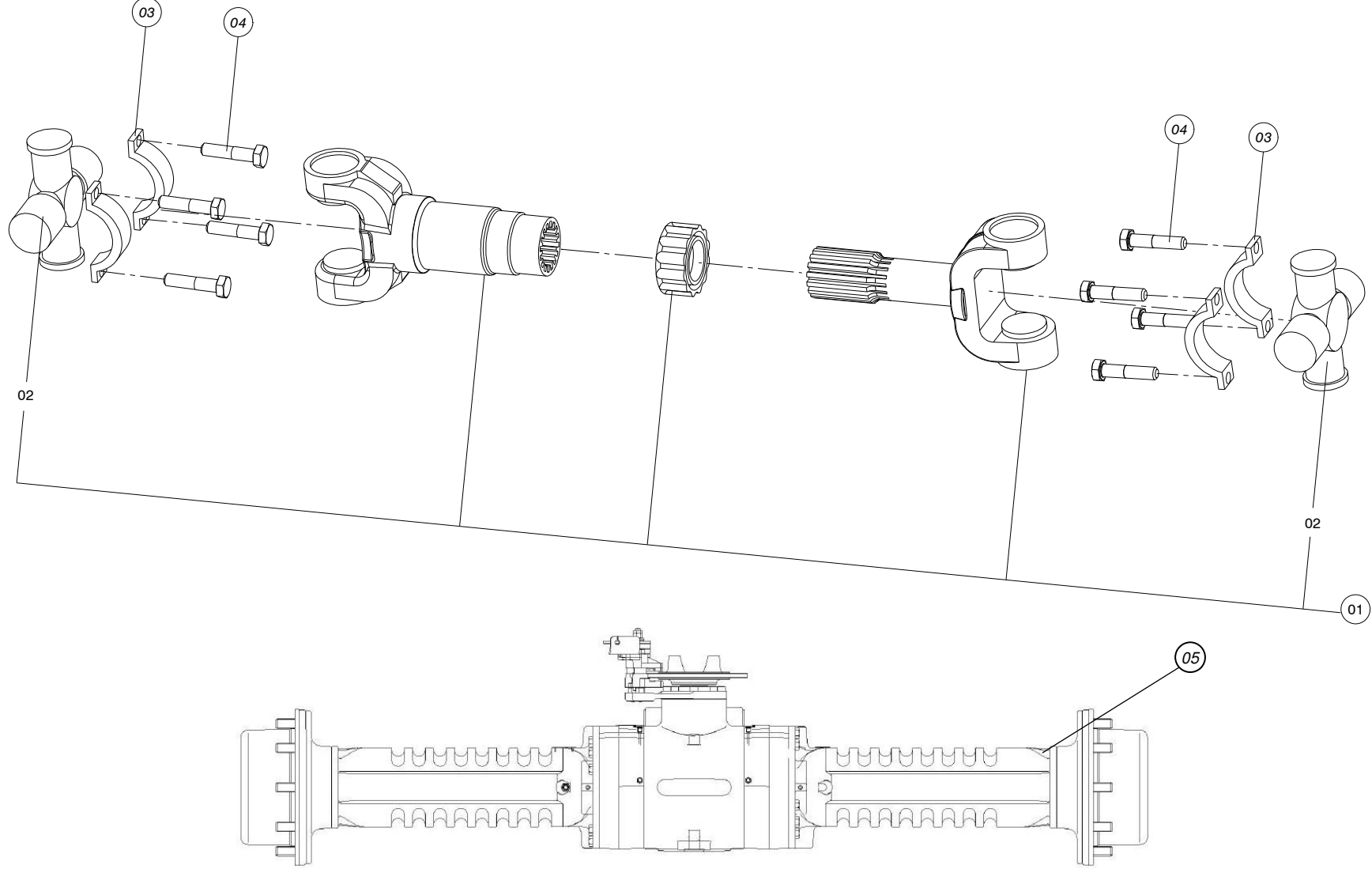


FREN SİSTEMİ / BRAKE SYSTEM

TEKERLEK GÖBEĐİ / WHEEL HUB



PARK FREN KALİPERİ / PARK BRAKE CALIPER



4 - ARKA DİNGİL / REAR AXLE (M544)



TANIM / DESCRIPTION

SAYFA NO / PAGE NUMBER

DİNGİL GÖVDESİ / AXLE HOUSING

001 – 002

AYNA MAHRUTİ DİŞLİ SETİ / BEVEL GEAR SET

003 – 004

DİFERANSİYEL / DIFFERENTIAL

005 – 006

AKS MİLİ / SHAFTS

007 – 008

FREN SİSTEMİ / BRAKE SYSTEM

009 – 010

TEKERLEK GÖBEĞİ / WHEEL HUB

011 – 012

POYRA / PLANETARY CARRIER

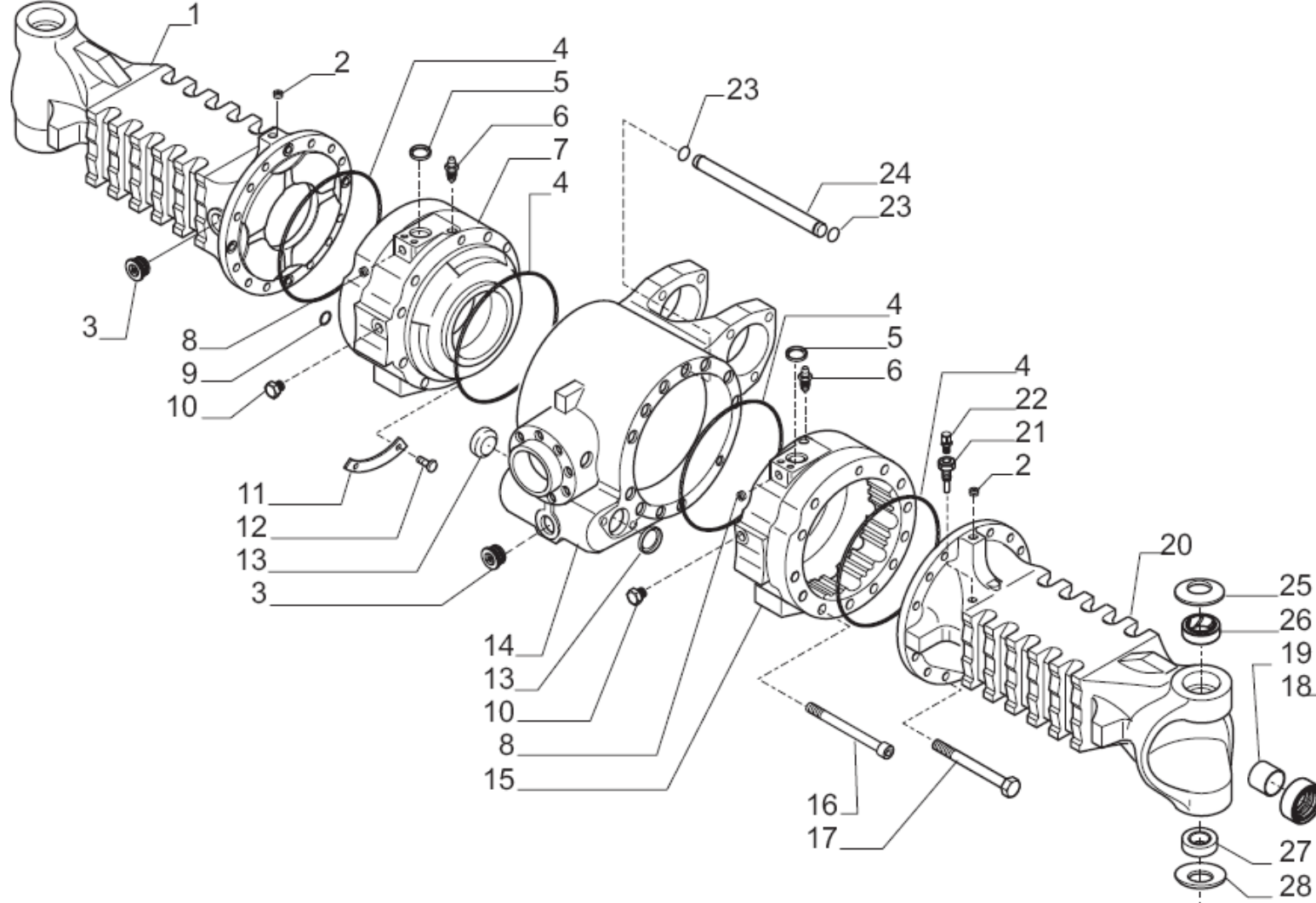
013 – 014

PARK FREN KALİPERİ / PARK BRAKE CALIPER

015 – 016

BAĞLANTI ŞAFTI / DRIVESHAFT ASSEMBLY

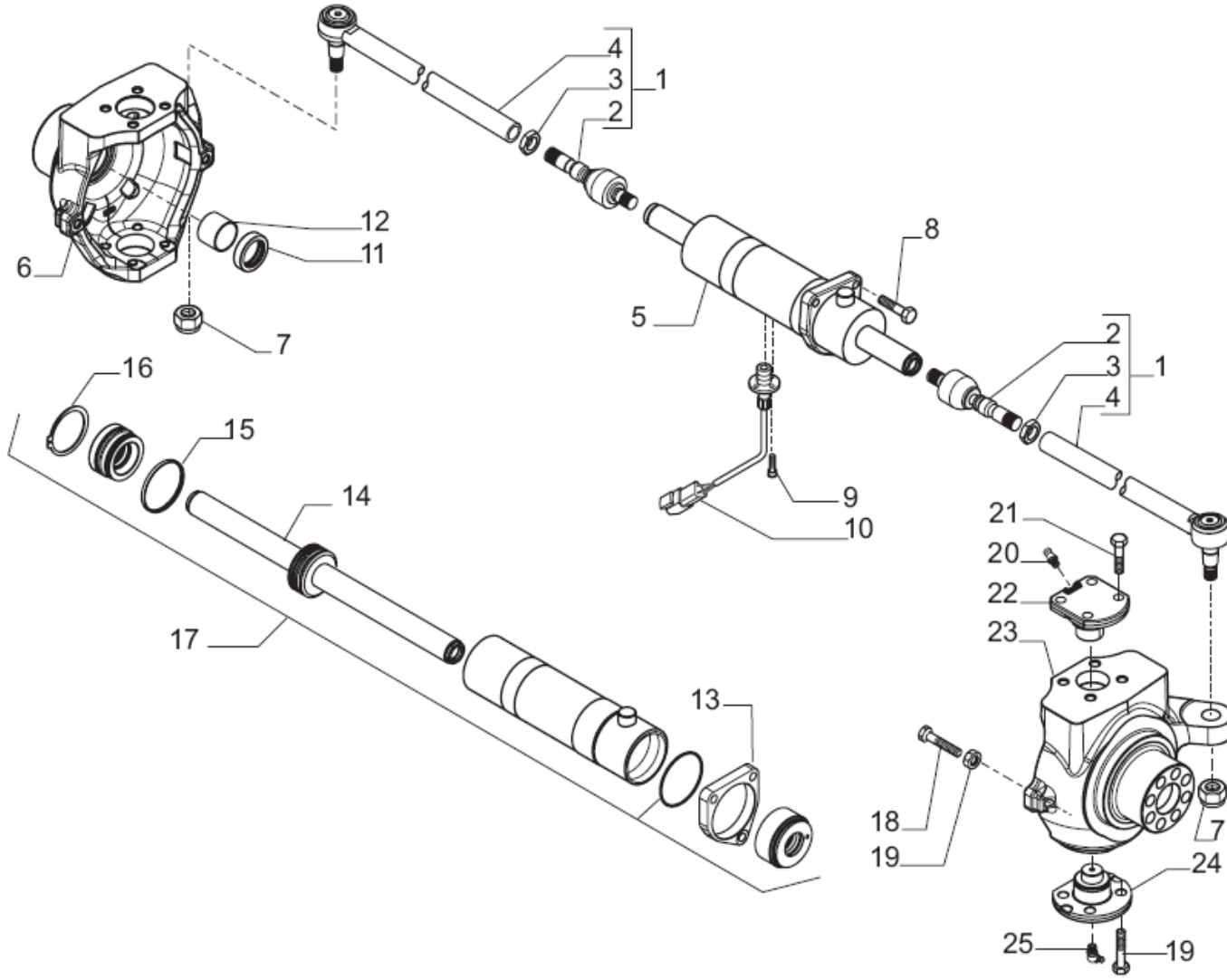
017 – 018

DİNGİL GÖVDESİ / AXLE HOUSING

DİNGİL GÖVDESİ / AXLE HOUSING

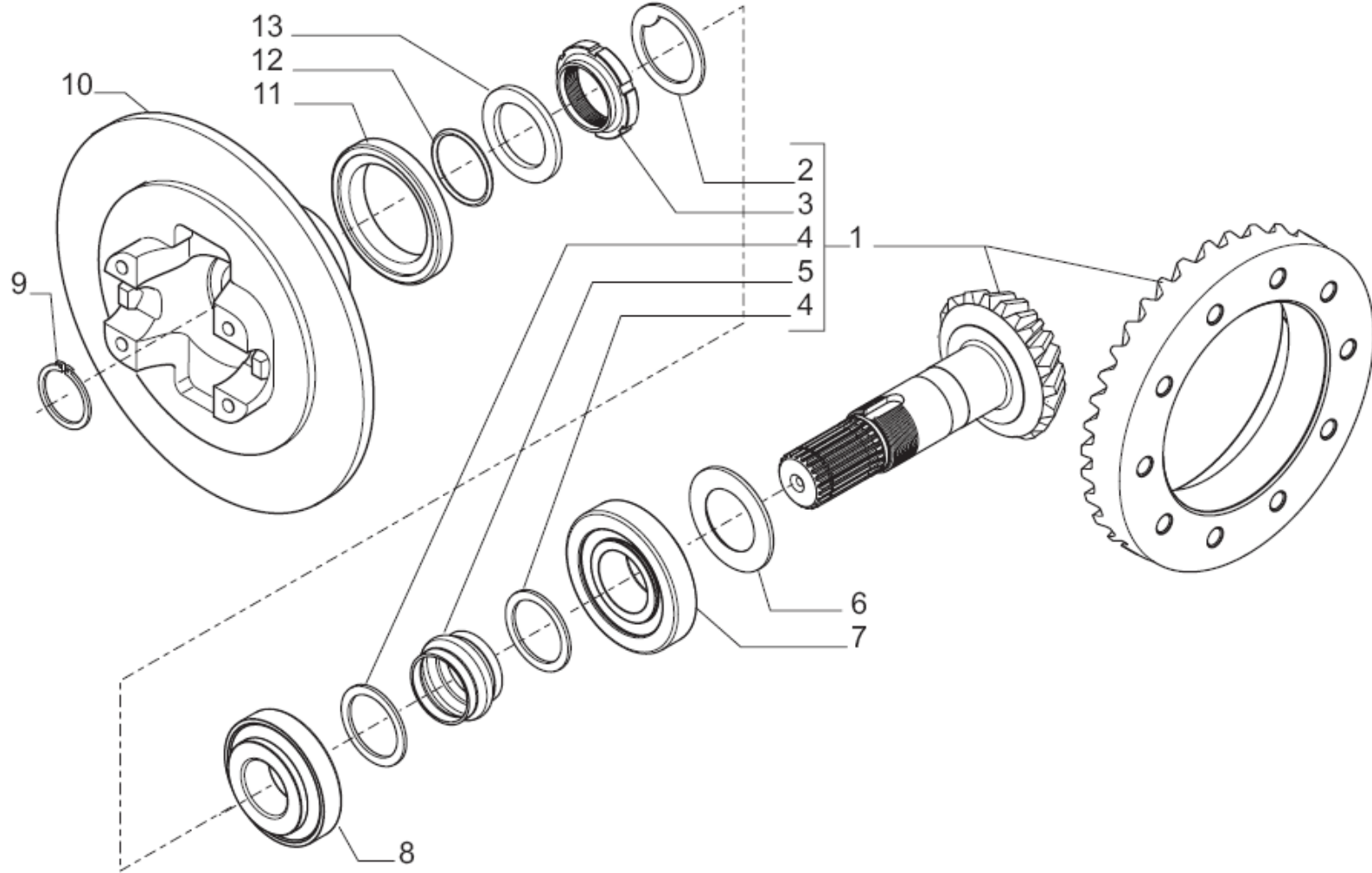
POS	YEDEK PARÇA KODU SPARE PART CODE	REFERANS KODU REFERENCE CODE	PARÇA TANIMI	DESCRIPTION	MİKTAR QTY.	NOT NOTE
1		146359	DİNGİL GÖVDESİ	BEAM TRUMPET	1	SOL / LEFT
2		021558	TAPA	PLUG	2	M10x1
3		125280	TAPA	PLUG	2	M30x2
4		028562	O-RİNG	O-RING	4	
5		134522	TAPA	PLUG	2	D26
6		116792	HAVALANDIRMA	BREATHER	2	M10x1
7		141012	FREN SİLİNDİRİ	BRAKE CYLINDER	1	SOL / LEFT
8		021580	TAPA	PLUG	2	M8x1
9		028500	O-RİNG	O-RING	8	
10		145263	TAPA	PLUG	2	
11		140647	PLAKA	PLATE	2	
12		023838	PERÇİN	RIVET	4	4.8x6
13		130667	TAPA	PLUG	2	D42
14		149406	GÖVDE, MERKEZ	CENTRAL BODY	1	
15		141013	FREN SİLİNDİRİ	BRAKE CYLINDER	1	SAĞ / RIGHT
16		021314	CIVATA	BOLT	2	M12 x 130
17		020993	CIVATA	BOLT	22	M14 x 140
18		126403	KEÇE	SEAL RING	2	
19		116962	BURÇ	BUSH	2	
20		144350	DİNGİL GÖVDESİ	BEAM TRUMPET	1	SAĞ / RIGHT
21		121618	HAVALANDIRMA BORUSU	BREATHER PIPE	1	
22		104988	HAVALANDIRMA	BREATHER	1	M10x1
23		028526	O-RİNG	O-RING	2	
24		140132	BORU	PIPE	1	
25		128632	PUL, EMNİYET	WASHER, BELLEVILLE	2	
26		144558	BURÇ	BUSH	2	
27		027693	RULMAN	BEARING	2	KÜRESEL / SPHERICAL
28		128631	PUL, EMNİYET	WASHER, BELLEVILLE	2	

**DİNGİL KAFASI & DİREKSİYON SİLİNDİRİ /
SWIVEL HOUSINGS & STEERING CYLINDER**

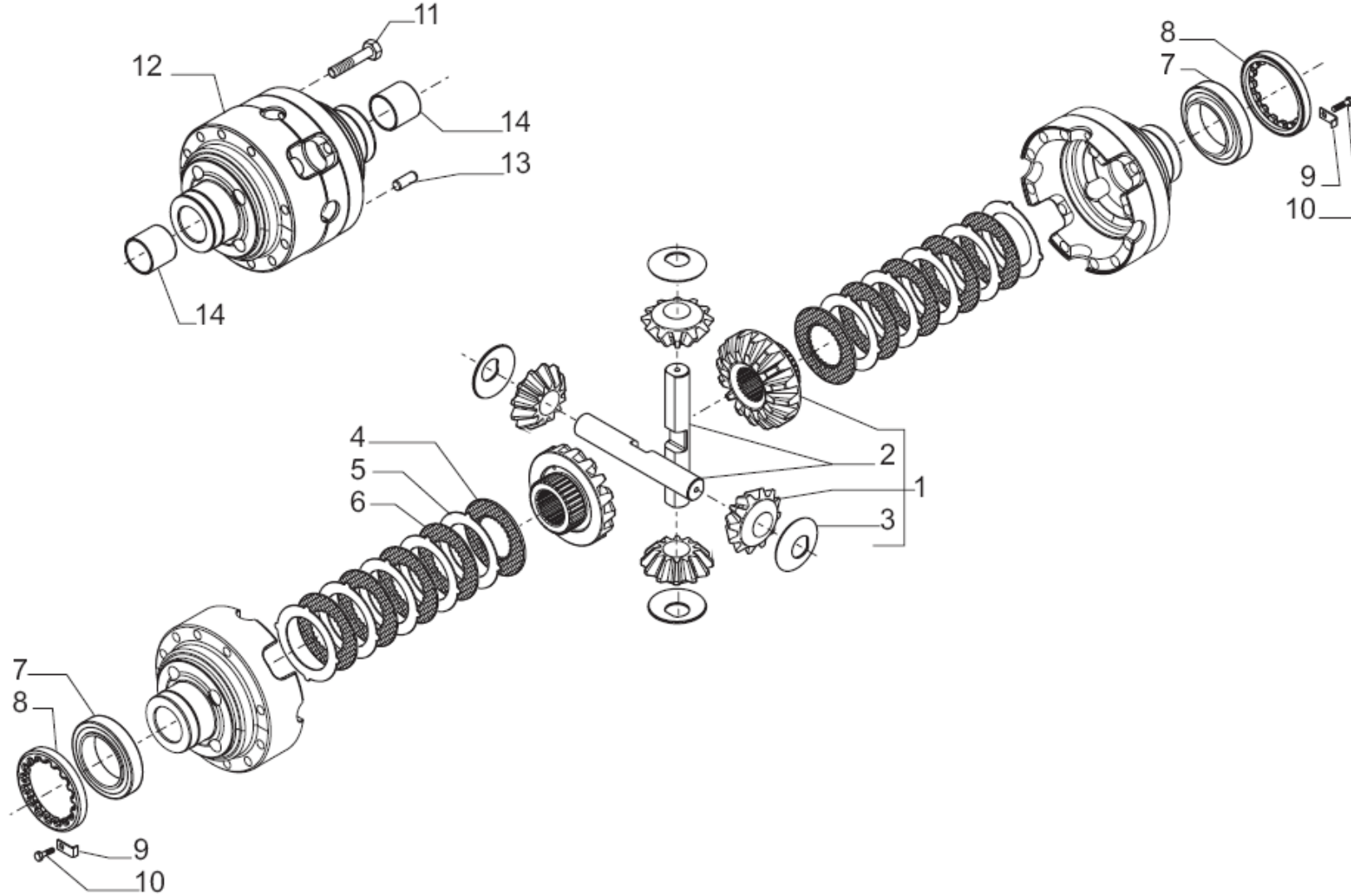


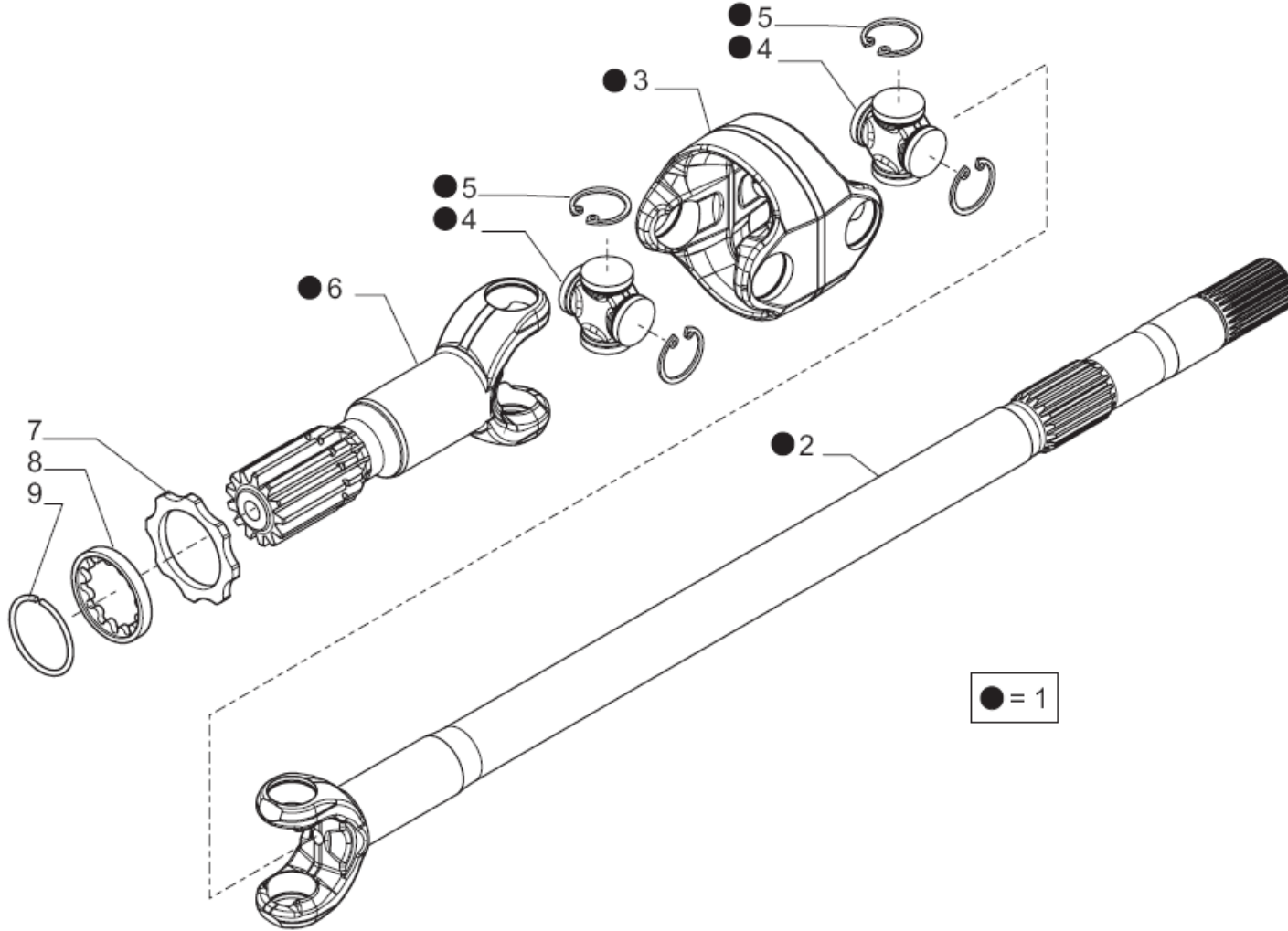
**DİNGİL KAFASI & DİREKSİYON SİLİNDİRİ /
SWIVEL HOUSINGS & STEERING CYLINDER**

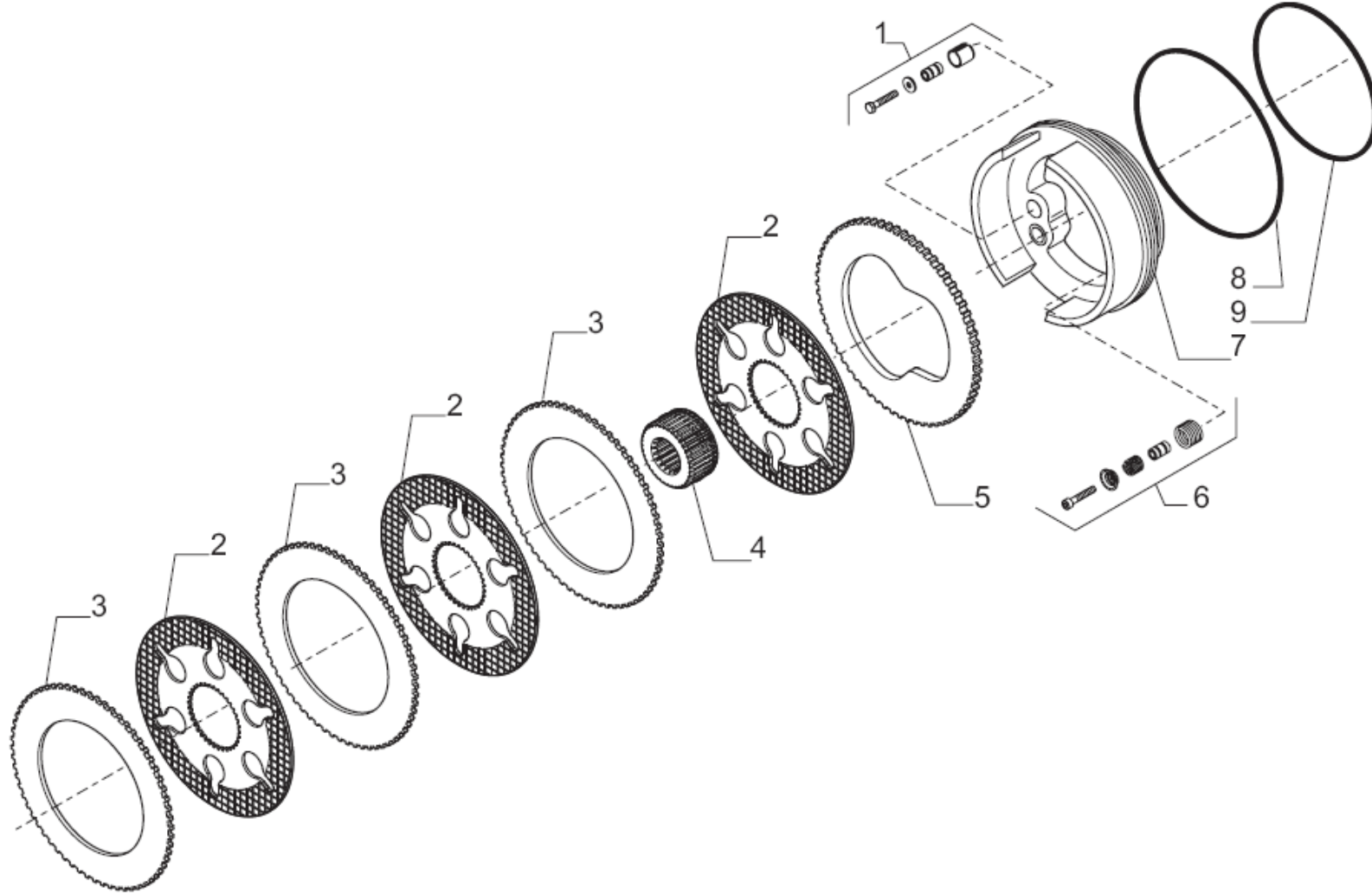
POS	YEDEK PARÇA KODU SPARE PART CODE	REFERANS KODU REFERENCE CODE	PARÇA TANIMI	DESCRIPTION	MİKTAR QTY.	NOT NOTE
1		149437	ROTİL KOMPLESİ	STEERING ARM ASSY	2	
2		351504	ROTİL	BALL JOINT	2	SET / KIT : 149437
3		070787	SOMUN	NUT	2	SET / KIT : 149437 M24x1.5
4		352565	ROT BAĞLANTISI	TIE ROD	2	SET / KIT : 149437
5		137177	DİREKSİYON SİLİNDİRİ	STEERING CYLINDER	1	
6		140363	DİNGİL KAFASI	SWIVEL HOUSING	1	SOL / LEFT
7		022446	SOMUN	NUT	2	M24x1.5
8		128534	CIVATA	BOLT	3	M12 x 45
9		021357	CIVATA	BOLT	3	M5 x 10
10		149929	SENSÖR	SENSOR	1	
11		140224	KEÇE	SEAL RING	2	
12		125161	BURÇ	BUSH	2	
13		049138	DİNGİL KAFASI	CYLINDER HEAD	1	SET / KIT : 137177
14		049074	SİLİNDİR MİLİ	ROD	1	SET / KIT : 137177
15		049314	HALKA, MANYETİK	MAGNETIC RING	1	SET / KIT : 137177
16		049333	SEGMAN	CIRCLIP	1	SET / KIT : 137177
17		049226	TAMİR TAKIMI	SEAL KIT	1	SET / KIT : 137177
18		124748	CIVATA	BOLT	4	M16 x 75
19		022128	SOMUN	NUT	4	M16
20		024210	GRESÖRLÜK	GREASER NIPPLE	2	M6x1
21		126923	CIVATA	BOLT	16	M16 x 38
22		130631	MUYLU	TRUNNION	2	
23		140364	DİNGİL KAFASI	SWIVEL HOUSING	1	SAĞ / RIGHT
24		130632	MUYLU	TRUNNION	2	
25		024211	GRESÖRLÜK	GREASER NIPPLE	2	M6x1 45°

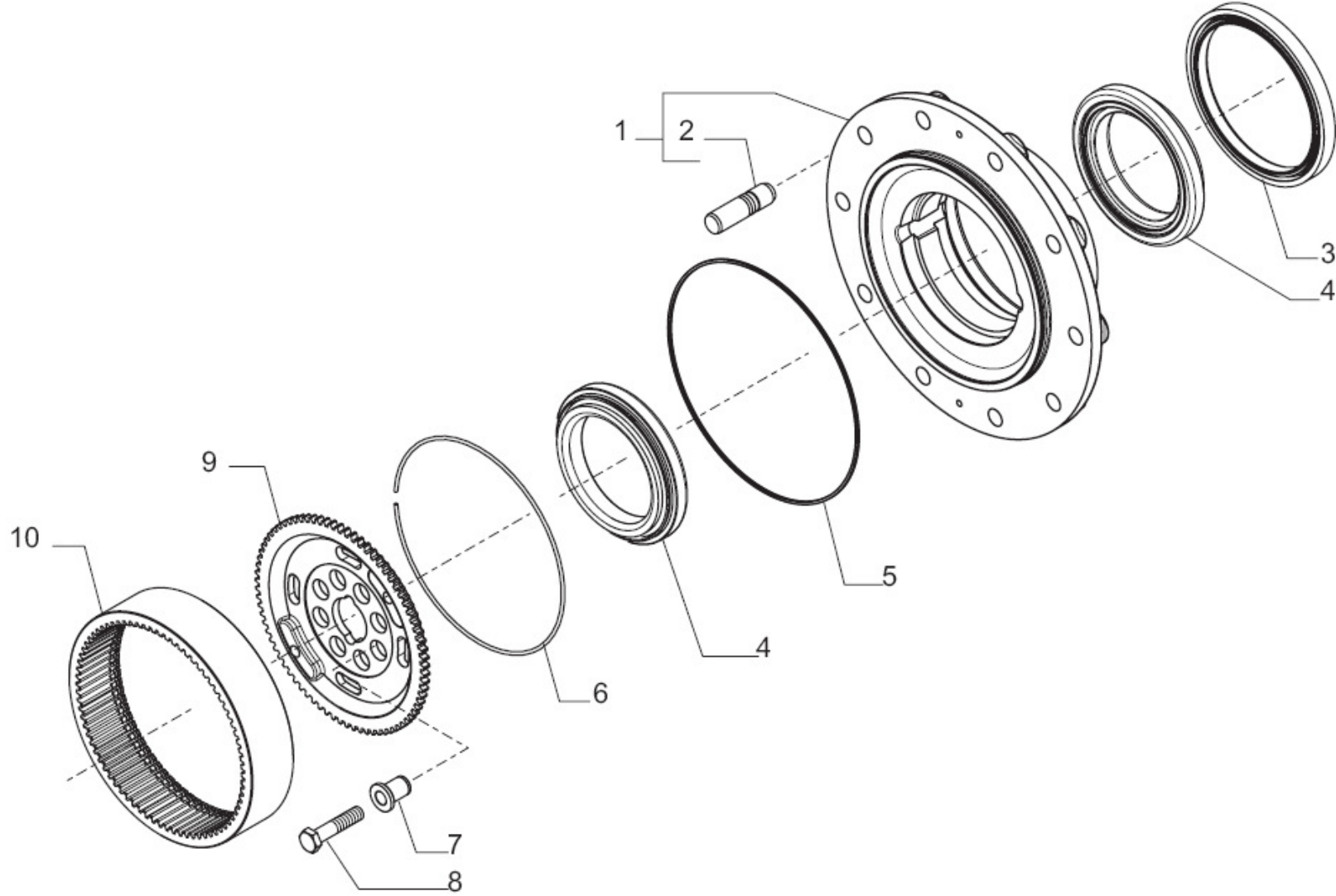


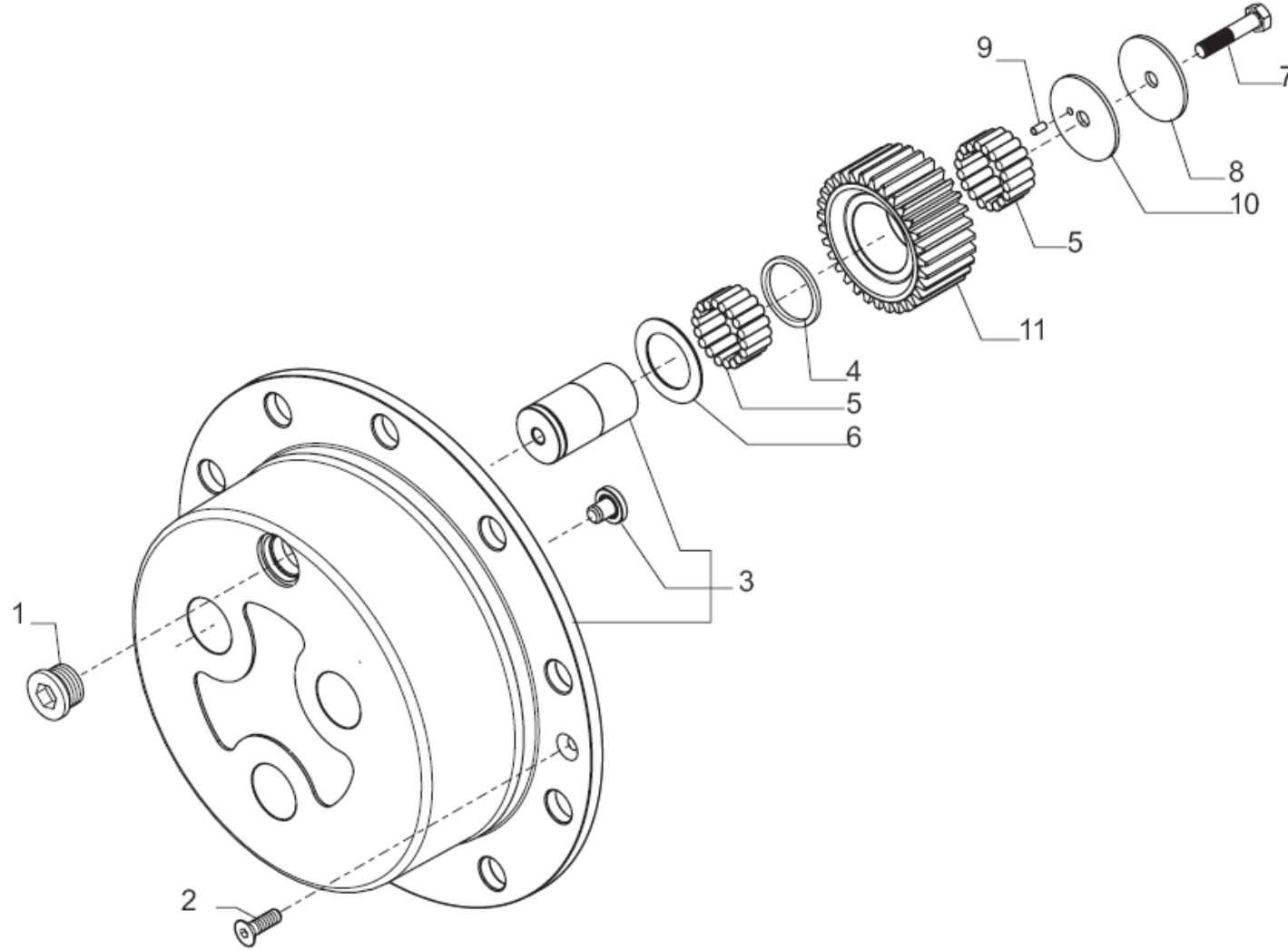
POS	YEDEK PARÇA KODU SPARE PART CODE	REFERANS KODU REFERENCE CODE	PARÇA TANIMI	DESCRIPTION	MİKTAR QTY.	NOT NOTE
1		066941	AYNA MAHRUTİ DİŞLİ SETİ	BEVELGEAR / PINION SET	1	Z=15/37
2		113717	RONDELA, KİLİTLEME	LOCKWASHER	1	SET / KIT : 066941
3		115054	SOMUN	RING NUT	1	SET / KIT : 066941 M40x1.5
4		125829	PUL	WASHER	2	SET / KIT : 066941
5		138692	BİLEZİK, ELASTİK	COLLAPSIBLE SPACER	1	SET / KIT : 066941
6		134186	ŞİM	SHIM	-	2.50 mm
6		134187	ŞİM	SHIM	-	2.60 mm
6		134188	ŞİM	SHIM	-	2.70 mm
6		134189	ŞİM	SHIM	-	2.80 mm
6		134190	ŞİM	SHIM	-	2.90 mm
6		134191	ŞİM	SHIM	-	3.00 mm
6		134192	ŞİM	SHIM	-	3.10 mm
6		134193	ŞİM	SHIM	-	3.20 mm
6		134194	ŞİM	SHIM	-	3.30 mm
6		134195	ŞİM	SHIM	-	3.40 mm
7		027351	RULMAN	BEARING	1	
8		027350	RULMAN	BEARING	1	
9		024789	SEGMAN	CIRCLIP	1	D34
10		146048	FREN DİSKİ & FLANŞ	BRAKE DISC + FLANGE	1	
11		145050	KEÇE	SEAL RING	1	
12		028532	O-RİNG	O-RING	1	
13		123402	PUL	WASHER	1	

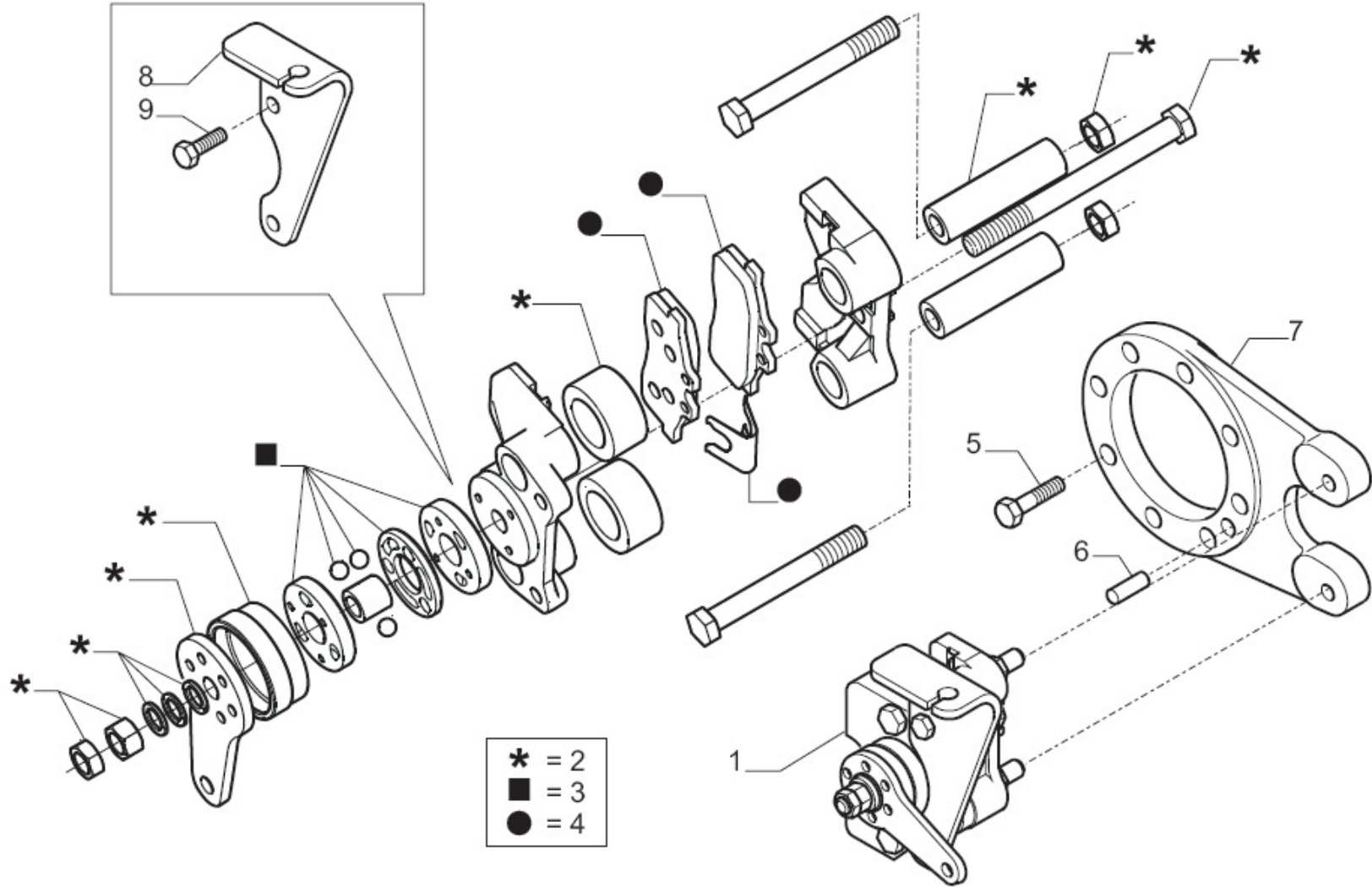
DİFERANSİYEL / DIFFERENTIAL

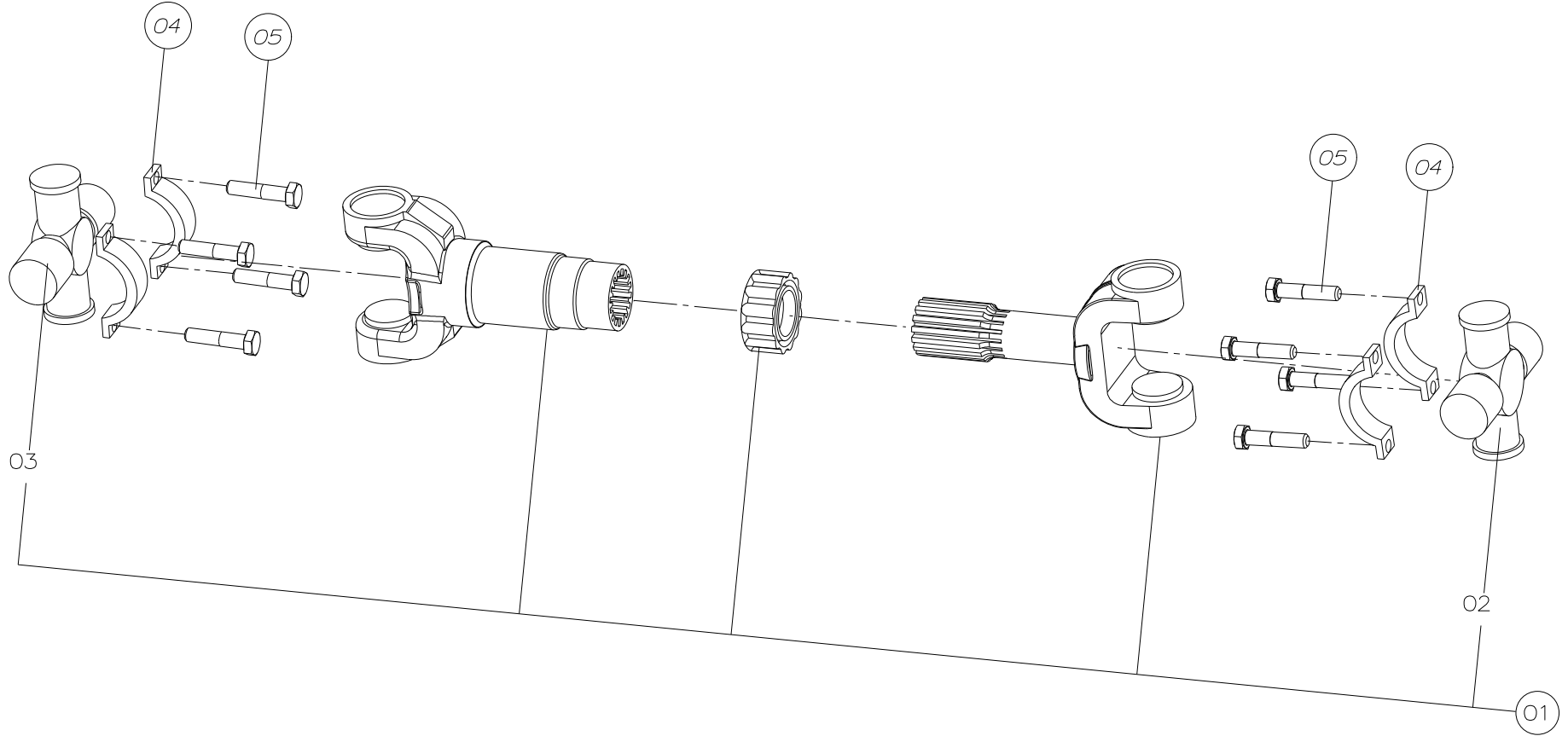




TEKERLEK GÖBEĐİ / WHEEL HUB



PARK FREN KALİPERİ / PARK BRAKE CALIPER



5 – YÜKLEYİCİ / *LOADER*



TANIM / *DESCRIPTION*

SAYFA NO / *PAGE NUMBER*

AÇILIR KEPÇE ÖN GÖVDESİ / *SHOVEL CLAM BODY ASSEMBLY – FRONT*

001 – 002

AÇILIR KEPÇE ARKA GÖVDESİ / *SHOVEL CLAM BODY ASSEMBLY – REAR*

003 – 004

YÜKLEYİCİ KOL VE BURÇLARI / *LOADER ARM & BUSHES*

005 – 006

YÜKLEYİCİ KOL MANİVELA – 1 & MANİVELA – 2 / *LOADER ARM LEVER – 1 & LEVER – 2*

007 – 008

YÜKLEYİCİ KOL MANİVELA – 3 & MANİVELA – 4 / *LOADER ARM LEVER – 3 & LEVER – 4*

009 – 010

YÜKLEYİCİ KOL – AYAK BAĞLANTI / *LOADER ARM – STABILISER CONNECTION*

011 – 012

EMNİYET DAYAMASI / *SAFETY STRUT, LOADER ARM*

013 – 014

FORKLİFT ATAŞMANI / *FORKLIFT ATTACHMENT*

015 – 016

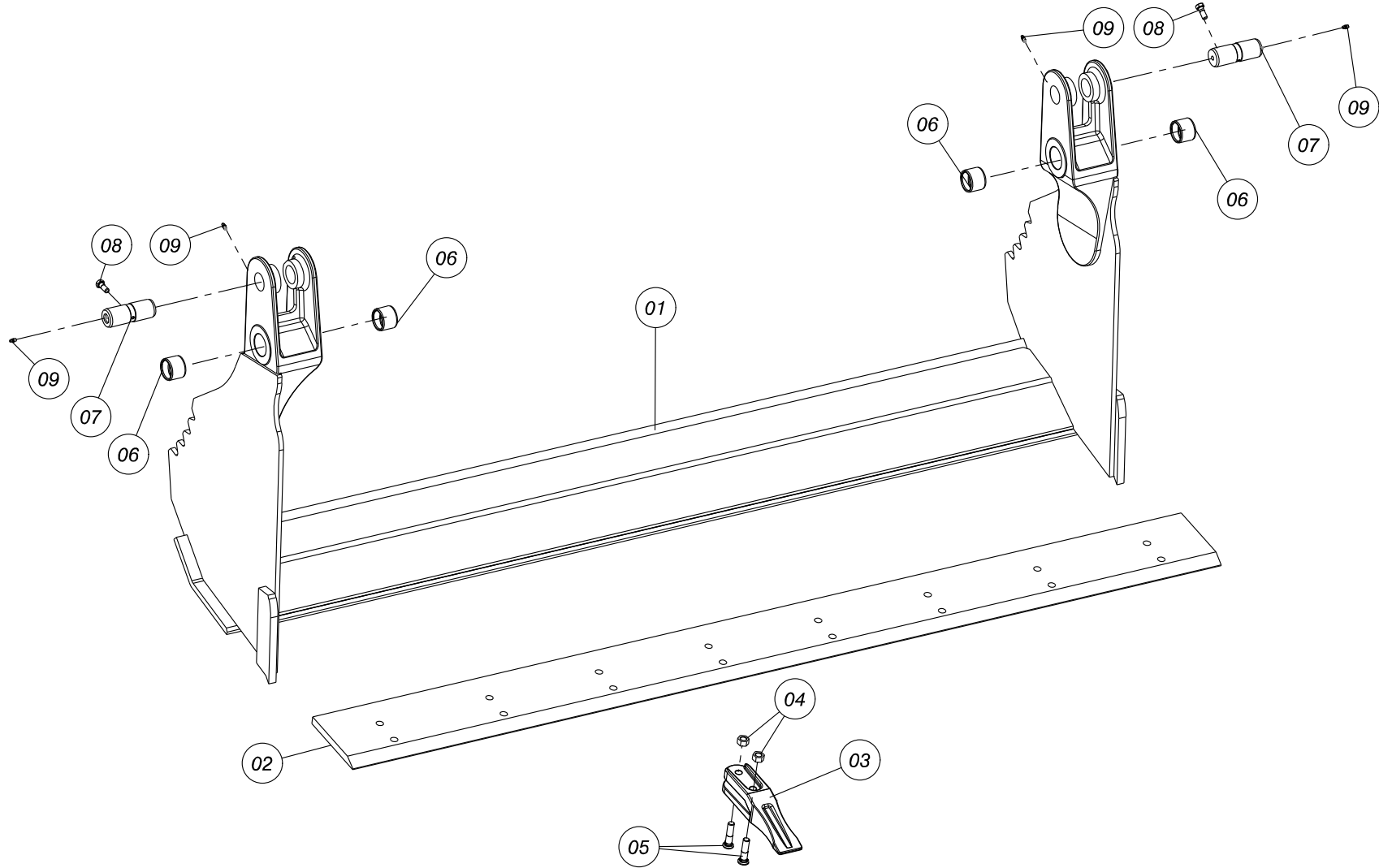
TESVİYE KÜREGİ / *LEVELLING SHOVE*

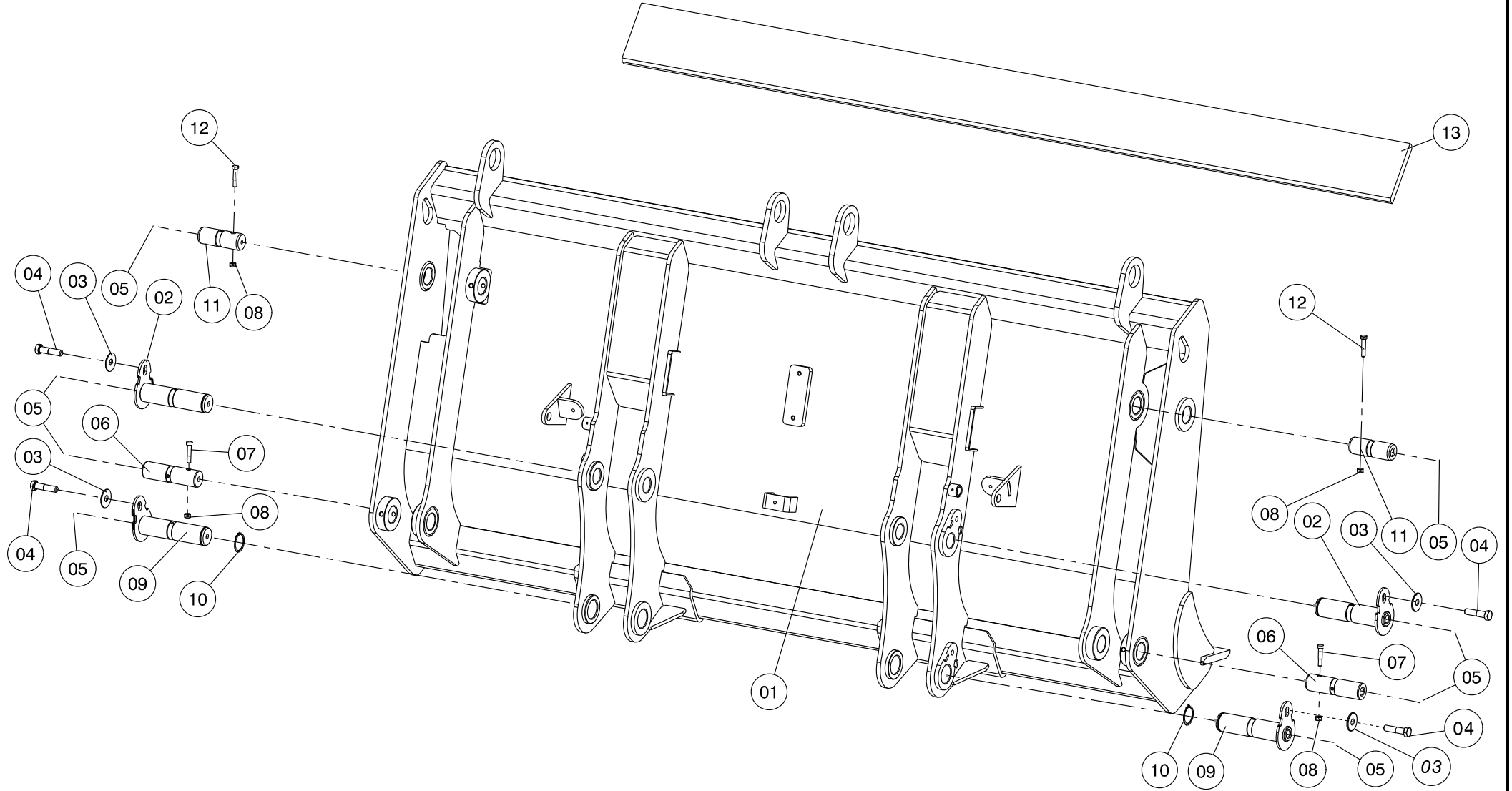
017 – 018

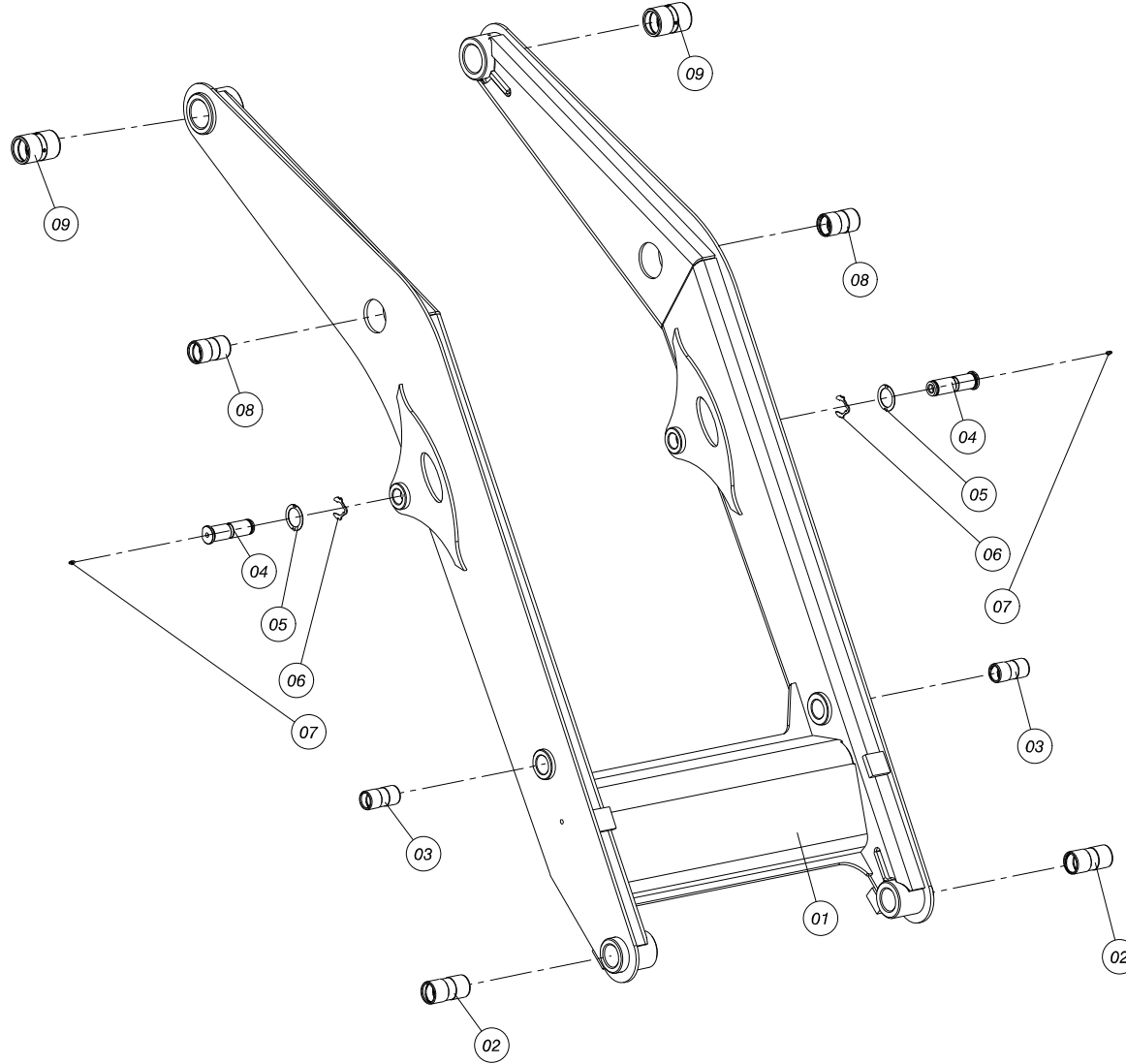
TOMRUK ATAŞMANI / *LOG ATTACHMENT*

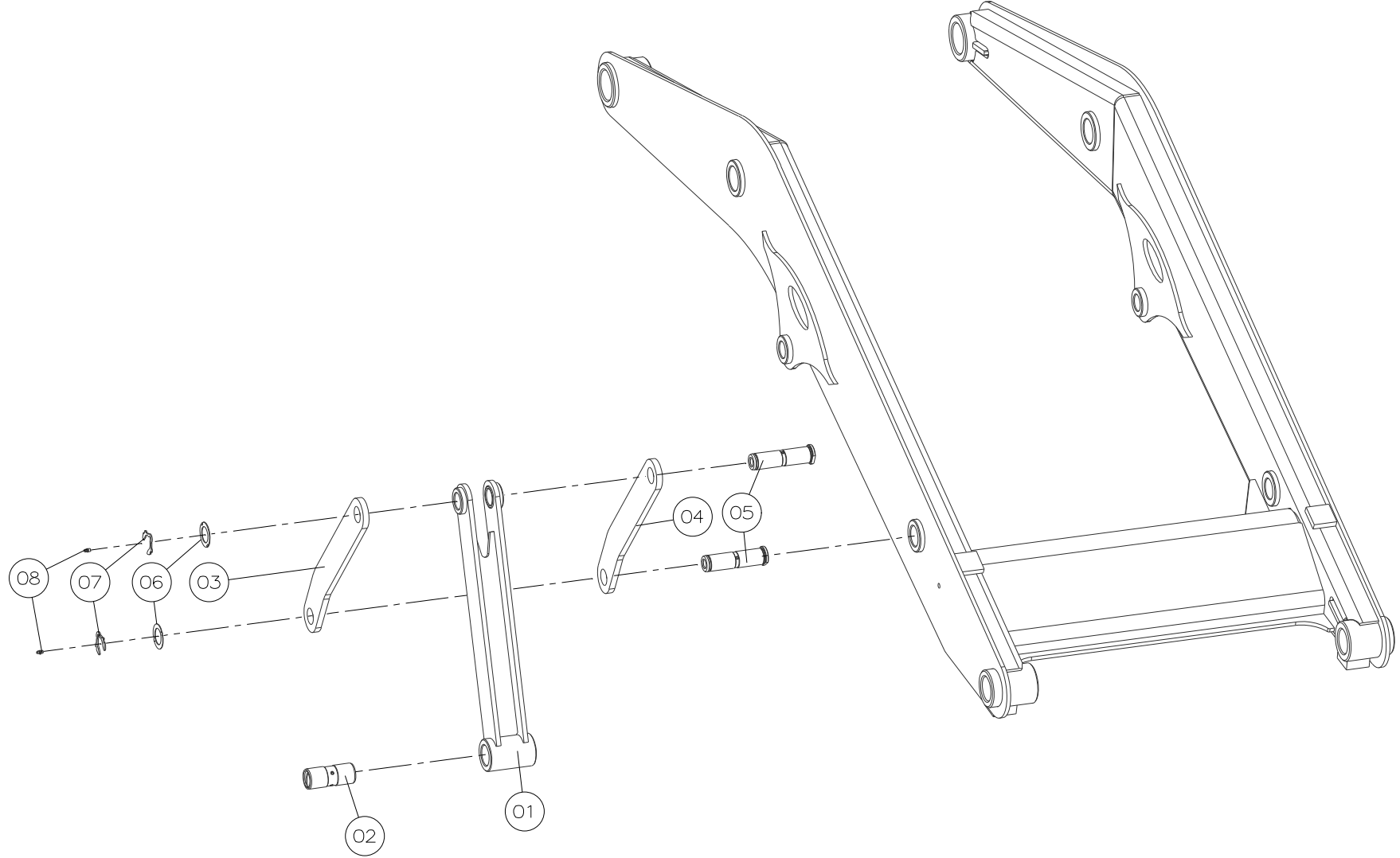
019 – 020

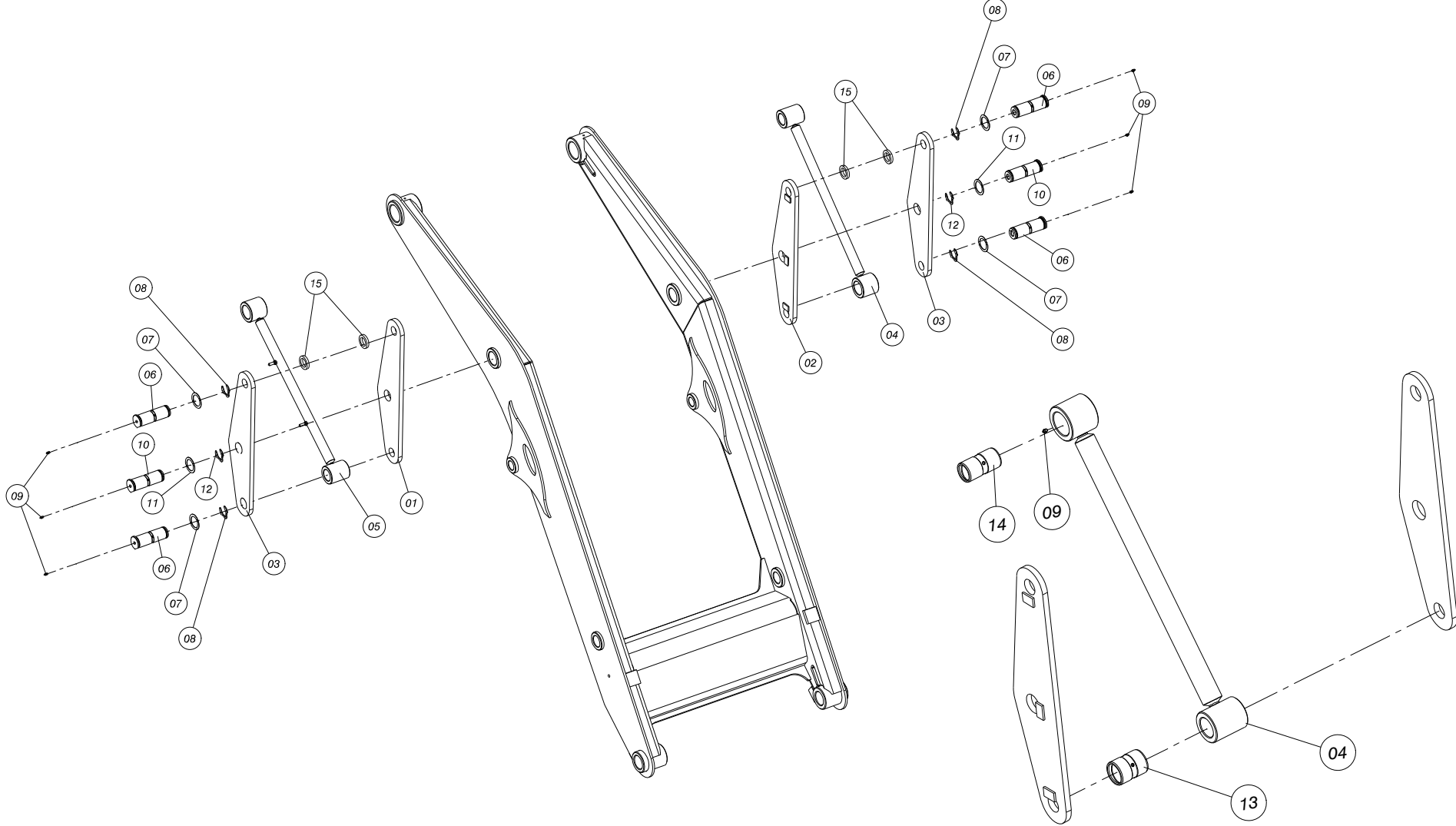
AÇILIR KEPÇE ÖN GÖVDESİ / SHOVEL CLAM BODY ASSY., FRONT





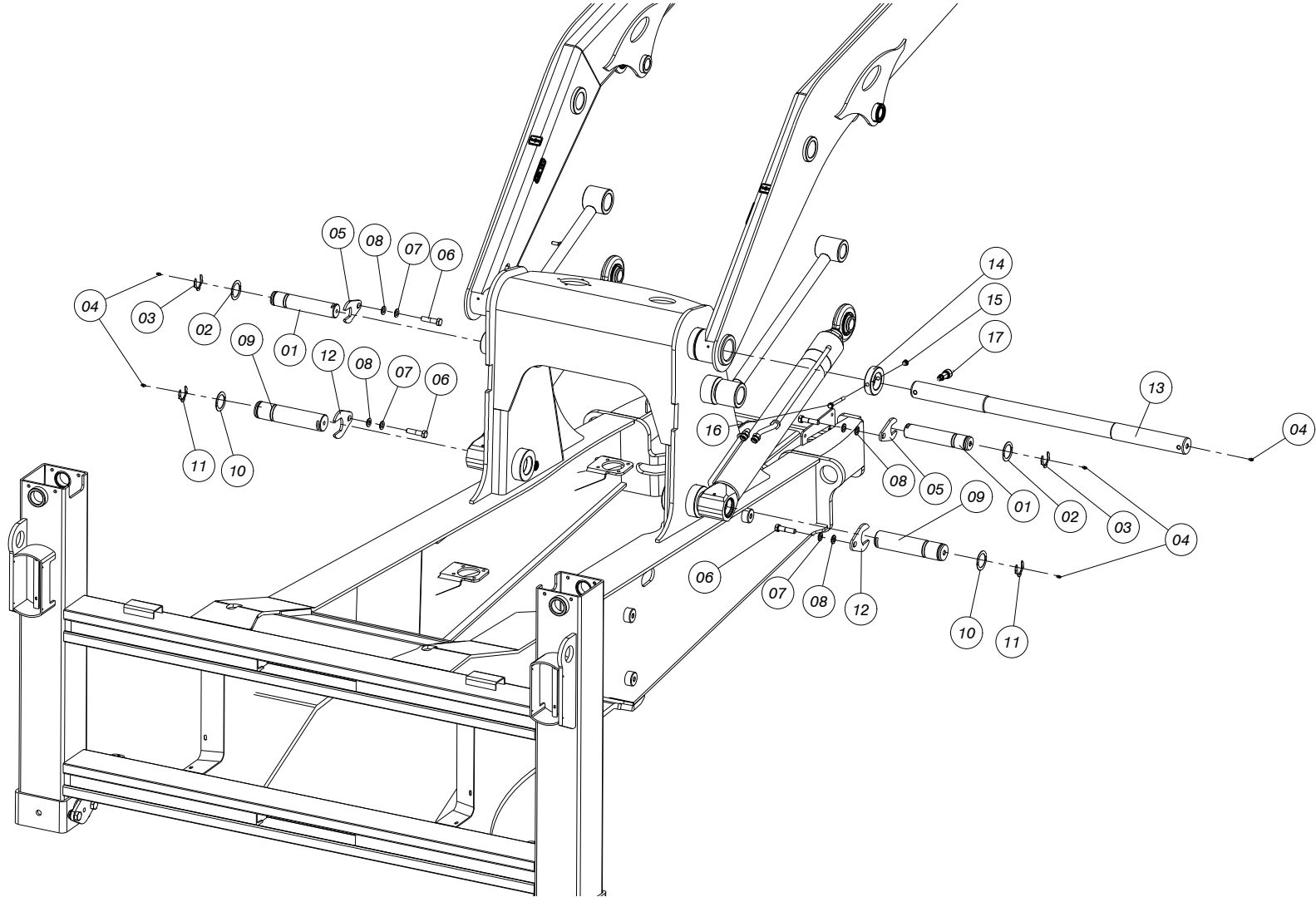






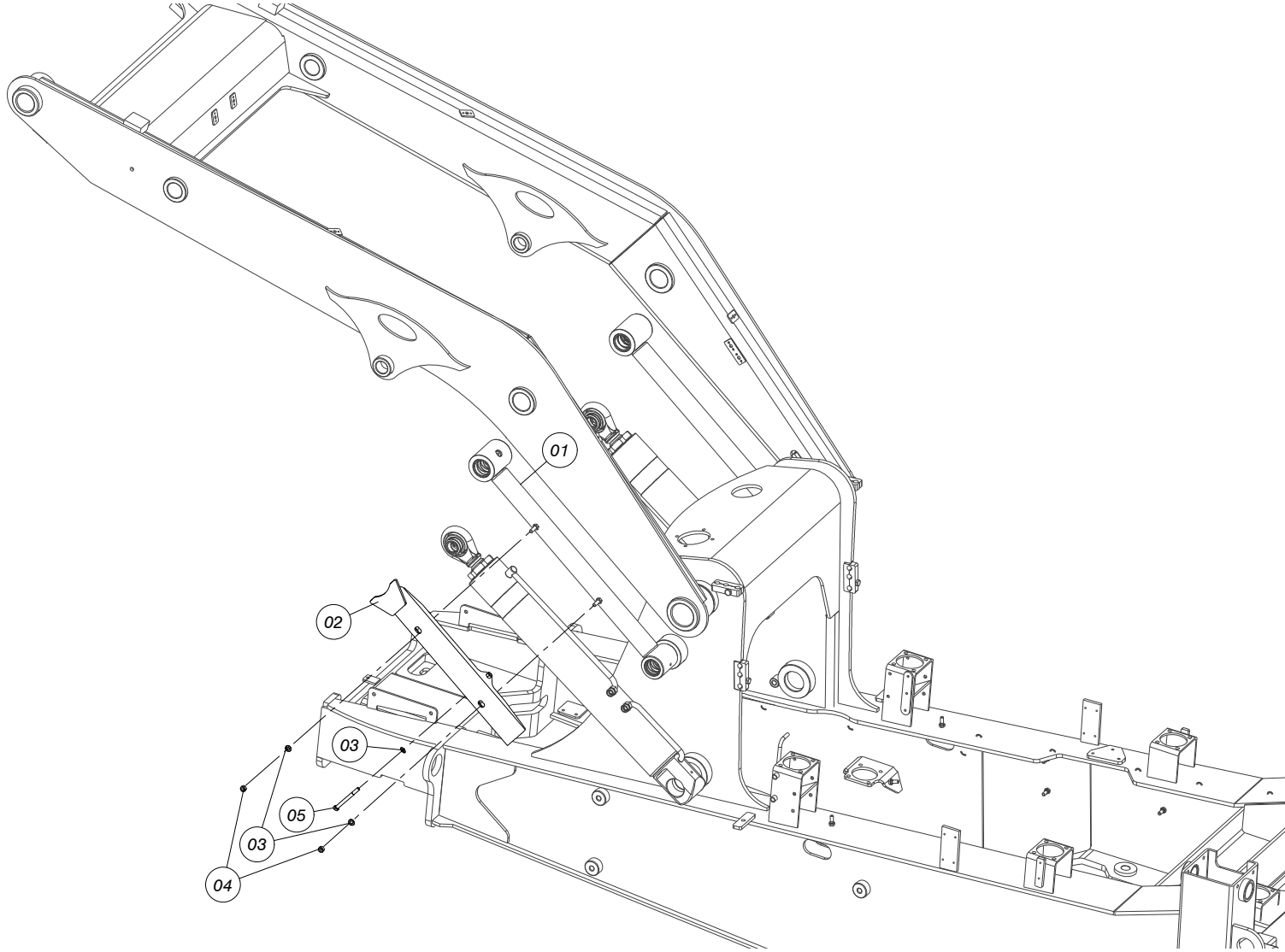
YÜKLEYİCİ KOL MANİVELA 3 - 4 / *LOADER ARM LEVER 3 - 4*

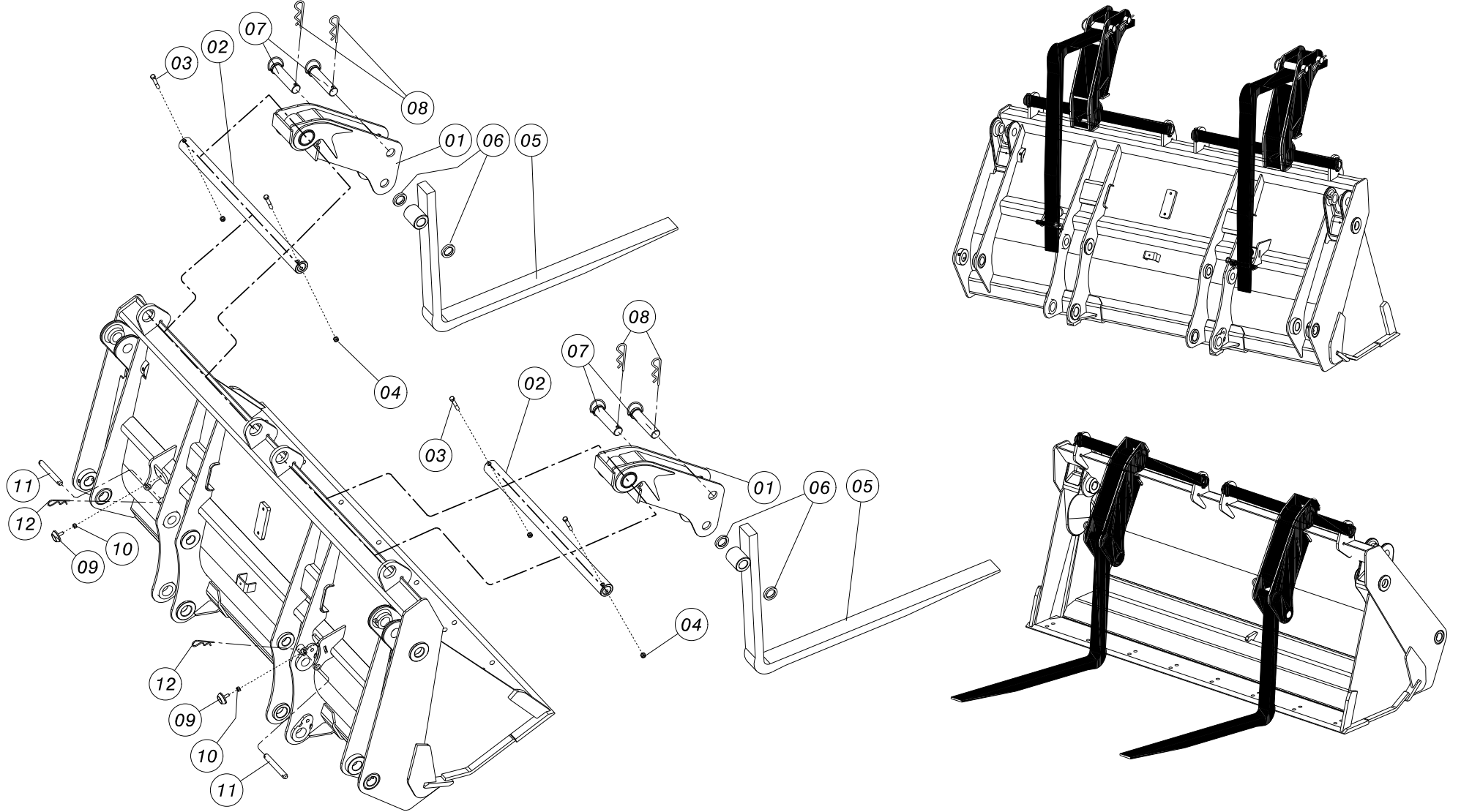
POS	YEDEK PARÇA KODU SPARE PART CODE	REFERANS KODU REFERENCE CODE	PARÇA TANIMI	DESCRIPTION	MİKTAR QTY.	NOT NOTE
1	5421650-A		MANİVELA – III KOMPLE	LEVER – III ASSY.	1	İÇ, SAĞ / INNER, RIGHT
2	5421650-B		MANİVELA – III KOMPLE	LEVER – III ASSY.	1	İÇ, SOL / INNER, LEFT
3	5421603		MANİVELA – III GÖVDE PLAKASI	LEVER – III	2	
4	5421652		MANİVELA – IV KOMPLE	LEVER – IV ASSY.	1	SOL / LEFT, CIVATA KAYNAKLI
5	5421654		MANİVELA – IV KOMPLE	LEVER – IV ASSY.	1	SAĞ / RIGHT
6	5420542		PİM	PIN	4	Ø40 x 150 , SEGMAN KANALLI, GRESÖRLÜKLÜ
7	5420546		ŞİM	WASHER	4	Ø40.6 x Ø62 x 1.5
8	5420545		SEGMAN	CIRCLIP	4	3 mm
9	5420415		GRESÖRLÜK	GREASE NIPPLE	8	⁵ / ₁₆ " UNF
10	5420544		PİM	PIN	2	Ø50 x 150, SEGMAN KANALLI, GRESÖRLÜKLÜ
11	5421666		ŞİM	WASHER	2	Ø50 x 1,5 TIRNAKLI
12	5421670		SEGMAN	CIRCLIP	2	Ø50
13	5421669		BURÇ, ÇAKMA	BUSH	2	Ø40 x Ø50 x 96
14	5421668		BURÇ, ÇAKMA	BUSH	2	Ø50 x Ø60 x 80
15	5422119		BURÇ, DELRİN	BUSH, FIBER	4	Ø40 x Ø60 x 10

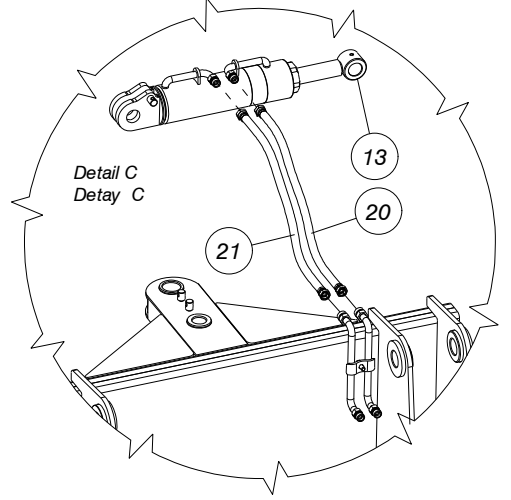
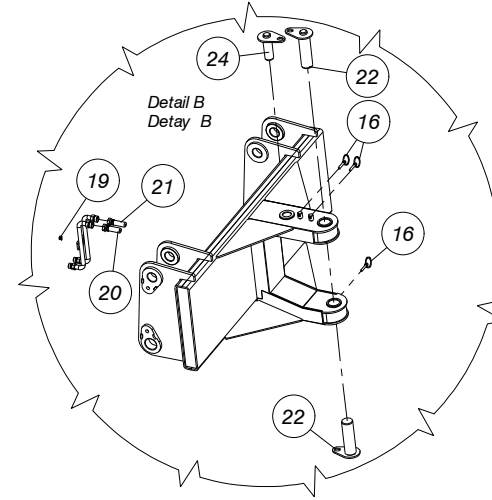
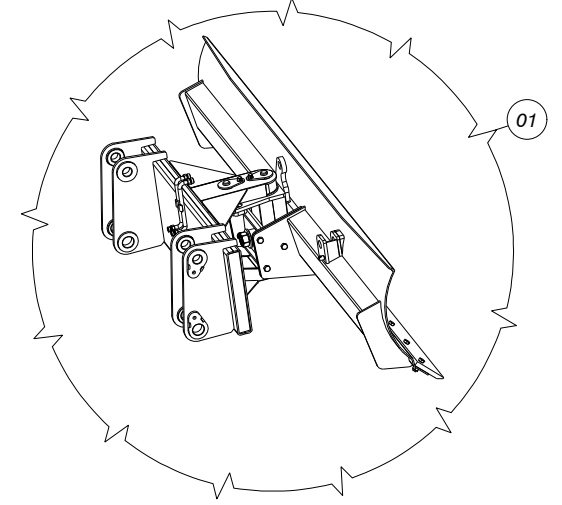
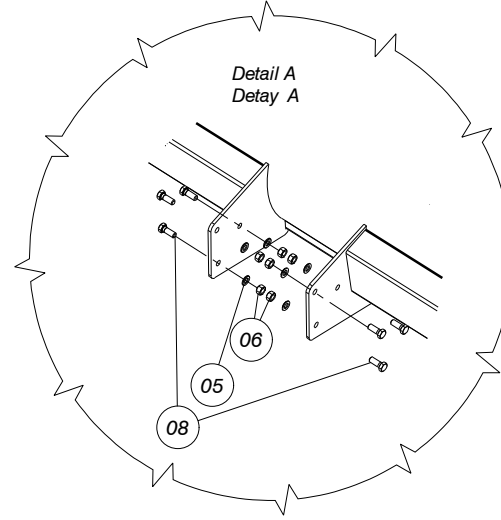
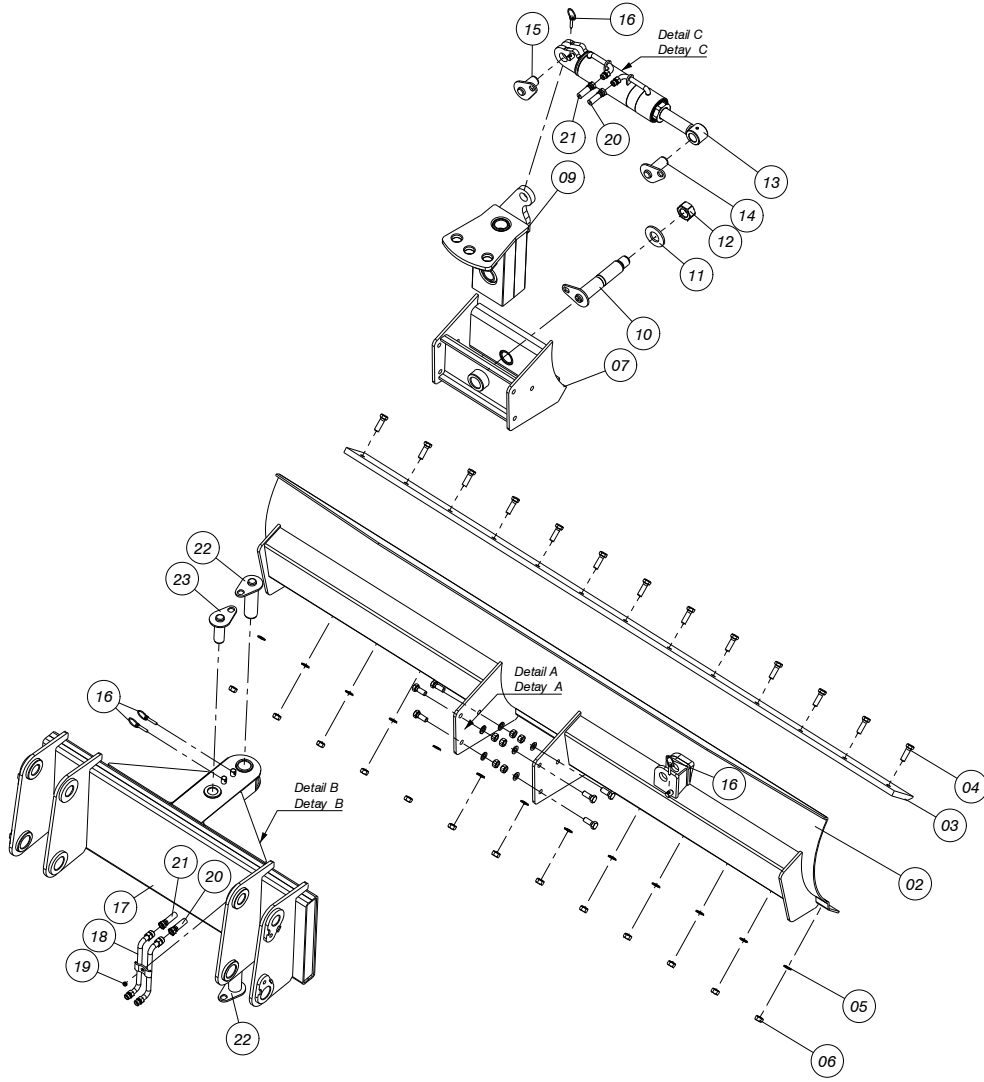


AYAK BAĞLANTISI / LOADER ARM BASE

POS	YEDEK PARÇA KODU SPARE PART CODE	REFERANS KODU REFERENCE CODE	PARÇA TANIMI	DESCRIPTION	MİKTAR QTY.	NOT NOTE
1	5420671		PİM	PIN	2	Ø50 x 255, SEGMAN KANALLI
2	54206123		ŞİM	WASHER	2	Ø50.6 x 80x3
3	5420661		SEGMAN	CIRCILIP	2	Ø50
4	5420415		GRESÖRLÜK	GREASE NIPPLE	5	5/16" UNF
5	54206114		PİM BAŞLIĞI	CAP, PIN	2	Ø50 x 8
6	54201237		CIVATA	BOLT	4	M16x2x30
7	5420905		RONDELA	WASHER	4	5/8" DÜZ
8	5420906		RONDELA	WASHER	4	5/8" YAYLI
9	5420669		PİM	PIN	2	Ø60 x 267, SEGMAN KANALLI
10	54206119		ŞİM	WASHER	2	Ø60 x Ø90 x 1.5
11	5420663		SEGMAN	CIRCILIP	2	Ø60
12	54206113		PİM BAŞLIĞI	CAP, PIN	2	Ø60
13	5420668		PİM	PIN	1	Ø60 x 1100
14	54206112		BURÇ	BUSH	2	Ø61 x Ø101 x 26, DELİKLİ
15	5420603		SOMUN	NUT	2	M12 FİBERLİ
16	54206122		CIVATA	BOLT	2	M12 x 110
17	54206111		CIVATA	BOLT	1	M20x2.5 x 50 AA15 10.9 DIN912



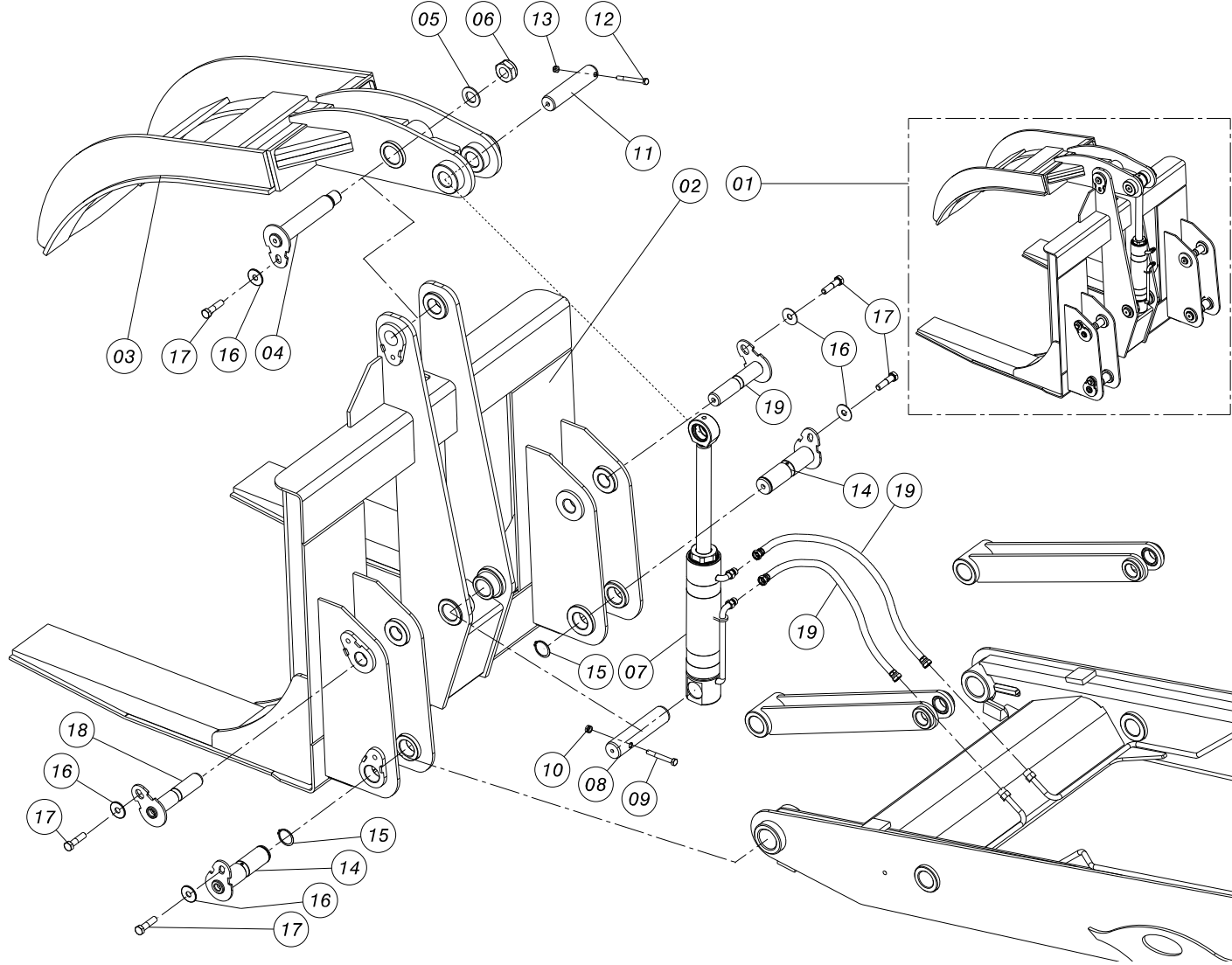




TESVİYE KÜREĞİ / LEVELLING SHOVEL

POS	YEDEK PARÇA KODU SPARE PART CODE	REFERANS KODU REFERENCE CODE	PARÇA TANIMI	DESCRIPTION	MİKTAR QTY.	NOT NOTE
1	5424800		TESVİYE KÜREĞİ KOMPLE	LEVELLING SHOVEL ASSY.	1	
2	5424850		TESVİYE KÜREĞİ ÖN GÖVDE	FRONT BODY	1	
3	5424802		BIÇAK	BLADE	1	
4	54209129		CIVATA	BOLT	13	M16x2 x 50
5	5421463		PUL	WASHER	19	M16
6	5420120		SOMUN	NUT	19	M16 FİBERLİ
7	5424851		ARA BAĞLANTI GÖVDESİ	BODY	1	
8	54201125		CIVATA	BOLT	6	M16x2 x 40
9	5424852		DÖNÜŞ GÖVDESİ	BODY	1	
10	5424840		PİM	PIN	1	Ø45 x 260 ARMUTLU, SOMUNLU
11	5422813		PUL	WASHER	1	Ø40.5 x Ø83 x 6
12	5420921		SOMUN	NUT	1	M36x2 x 33, FİBERLİ
13	5424853		SİLİNDİR KOMPLESİ	RAM ASSEMBLY	1	
14	5424838		PİM	PIN	1	Ø35 x 80 ARMUTLU
15	5424837		PİM	PIN	1	Ø35 x 95 ARMUTLU
16	5420417		PİM, YAYLI	PIN	5	Ø7
17	5424854		YÜKLEYİCİ KOL BAĞLANTI GÖVDESİ	CONNECTION BODY	1	
18	5424856		TESİSAT BORUSU	PIPE	2	M20 – M24
19	5420424		SOMUN	NUT	1	M10
20	54270129		HORTUM	HOSE	1	2SC 1/2" x 630, M24x1.5 90° - M20x1.5 DÜZ (Mil Ucu)
21	54270124		HORTUM	HOSE	1	2SC 1/2" x 550, M24x1.5 90° - M20x1.5 DÜZ (Boru Ardi)
22	5424839		PİM	PIN	2	Ø45 x 165 ARMUTLU
23	5424848		PİM	PIN	1	Ø35 x 115 ARMUTLU

TOMRUK ATAŞMANI / LOG ATTACHMENT



6 – KAZICI / BACKHOE



TANIM / DESCRIPTION

SAYFA NO / PAGE NUMBER

GEZER KIZAK & DENGİ AYAK / SIDESHIFT FRAME & STABILIZER

001 – 002

DÖNÜŞ I, DÖNÜŞ II / KINGPOST I, KINGPOST II

003 – 004

KAZICI BOM / BACKHOE BOOM

005 – 006

STANDART KAZICI KOL / STANDARD BACKHOE ARM

007 – 008

TELESKOBİK KAZICI KOL, DIŞ - İÇ KUTU / EXTENDING BACKHOE DIPPER, OUTER - INNER

009 – 010

MANİVELA 5 – MANİVELA 6 / LEVER 5 – LEVER 6

011 – 012

KAZICI KEPÇE GÖVDESİ / BACKHOE BUCKET BODY

013 – 014

BURGU ATAŞMANI / EARTH DRILL ATTACHMENT

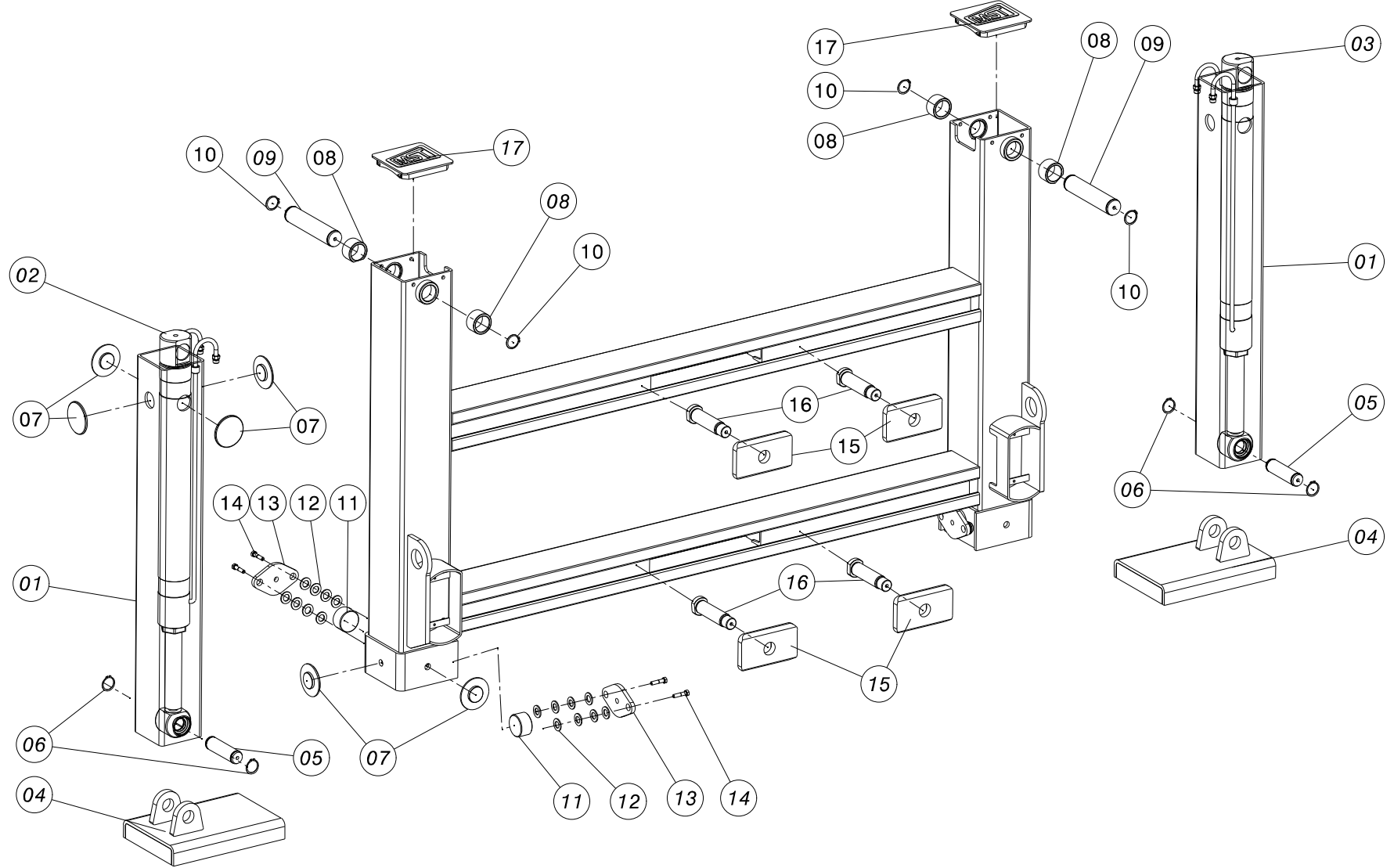
015 – 016

TRAPEZ KEPÇE / TRAPEZOIDAL BUCKET

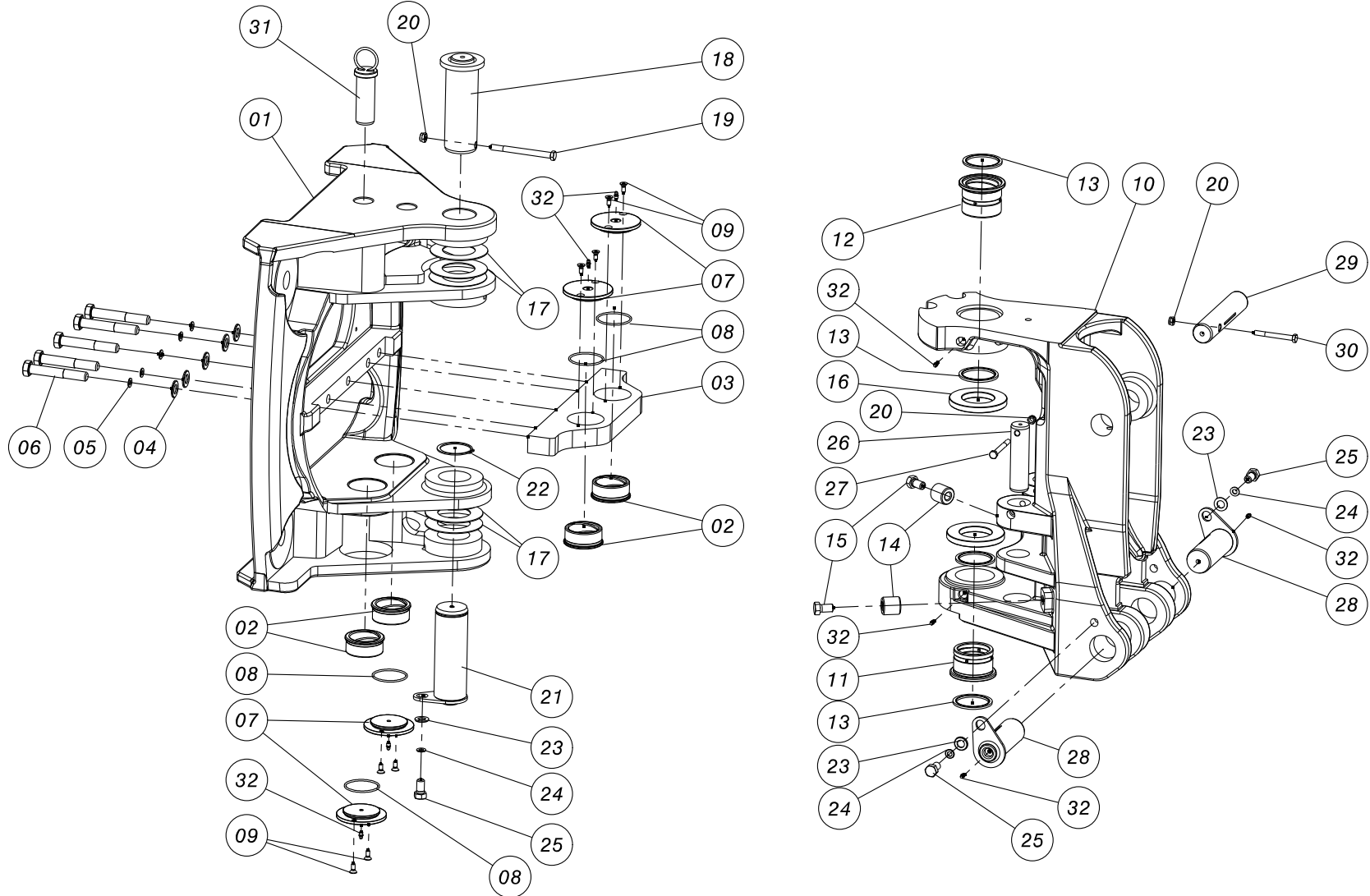
017 – 018

RİPER / RIPPER

019 – 020



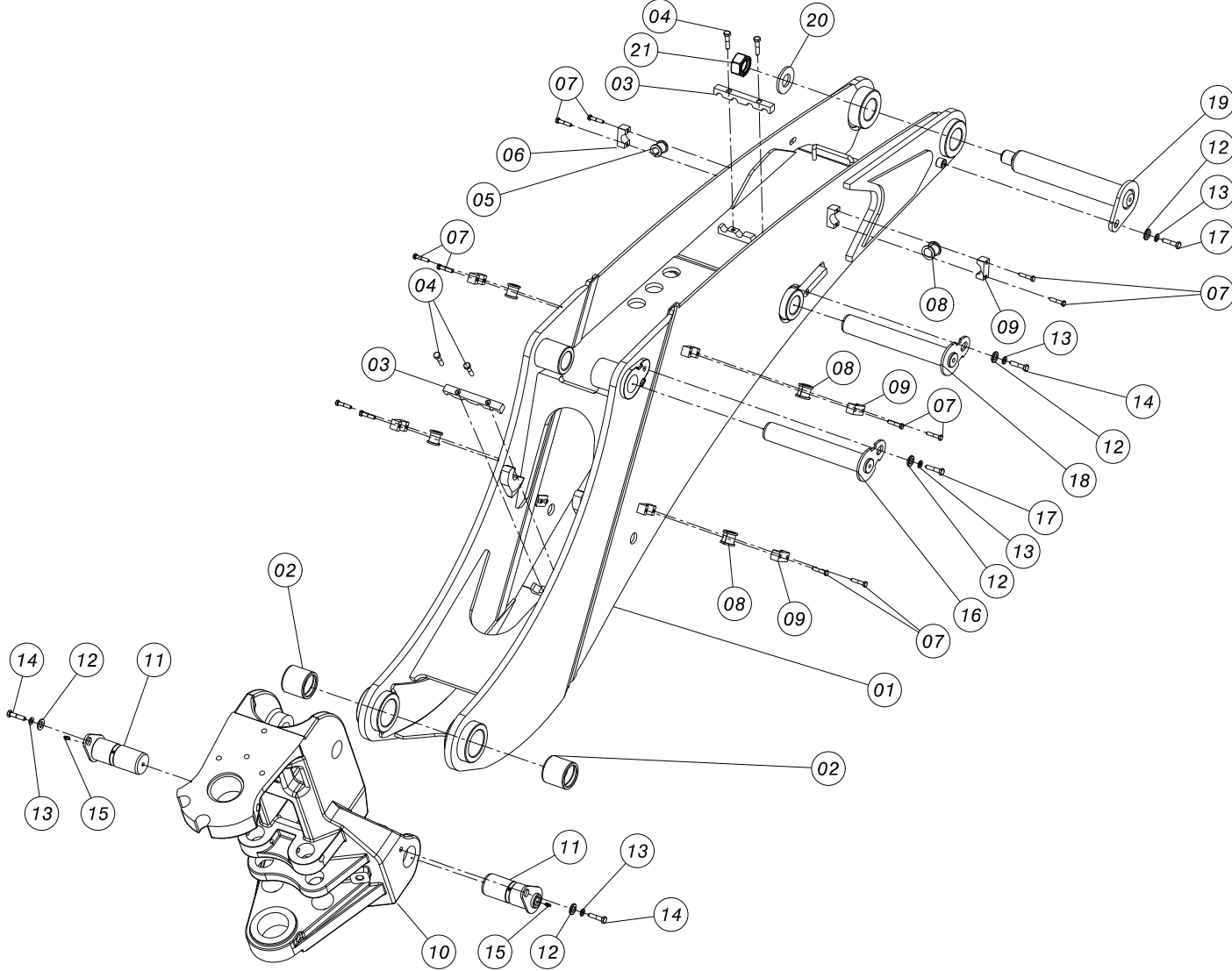
POS	YEDEK PARÇA KODU SPARE PART CODE	REFERANS KODU REFERENCE CODE	PARÇA TANIMI	DESCRIPTION	MİKTAR QTY.	NOT NOTE
1	5420788		İÇ AYAK KOMPLESİ	STABILISER BODY ASSY., INNER	2	150 x 150 x 1210
2	5422400-B		SİLİNDİR KOMPLESİ, DENGE AYAĞI	RAM ASSEMBLY, STABILIZER	1	SOL / LEFT
3	5422400-A		SİLİNDİR KOMPLESİ, DENGE AYAĞI	RAM ASSEMBLY, STABILIZER	1	SAĞ / RIGHT
4	5420716		DENGE AYAK ALT PABUÇ AYAK KOMPLESİ	STABILISER SHOE	2	
5	5420754		PİM	PIN	2	Ø40 x 147, İKİ TARAFI SEGMAN KANALLI Denge Ayak İç Kutu - Ayak Silindiri Mil Ucu Bağlantı
6	5420719		SEGMAN	CIRCLIP	4	DIN 471/40
7	5420769		FİBER	FIBER	12	DENGE AYAK AŞINMA FİBERİ, Ø50 x Ø100 x 13
8	5422402		BURÇ	BUSH	2	DELİRİN Ø50 x Ø65 x 41
9	5420708		PİM	PIN	2	Ø50 x 238 SEGMAN KANALLI Denge Ayak Dış Kutu - Ayak Silindiri Boru Ardı Bağlantı
10	5420478		SEGMAN	CIRCLIP	4	471/50
11	5420781		FİBER	FIBER	4	Ø68 x 40
12	5420784		PUL	WASHER	16	M20 DÜZ
12	5420790		PUL	WASHER	16	t = 1.5 mm
13	5420782		FLANŞ, DENGE AYAK BOŞLUK ALMA	FLANGE	4	t = 12 mm SAC
14	5420789		CIVATA	BOLT	8	M20x2.5 x 40
15	5420763		SIKTIRMA LAMASI	LOCKING STRIP IRON	4	97 x 200 x 20
16	5422801		PİM, SIKTIRMA	PIN	4	Ø56 x 180
17	5420747		KAPAK	COVER	2	PLASTİK / PLASTIC



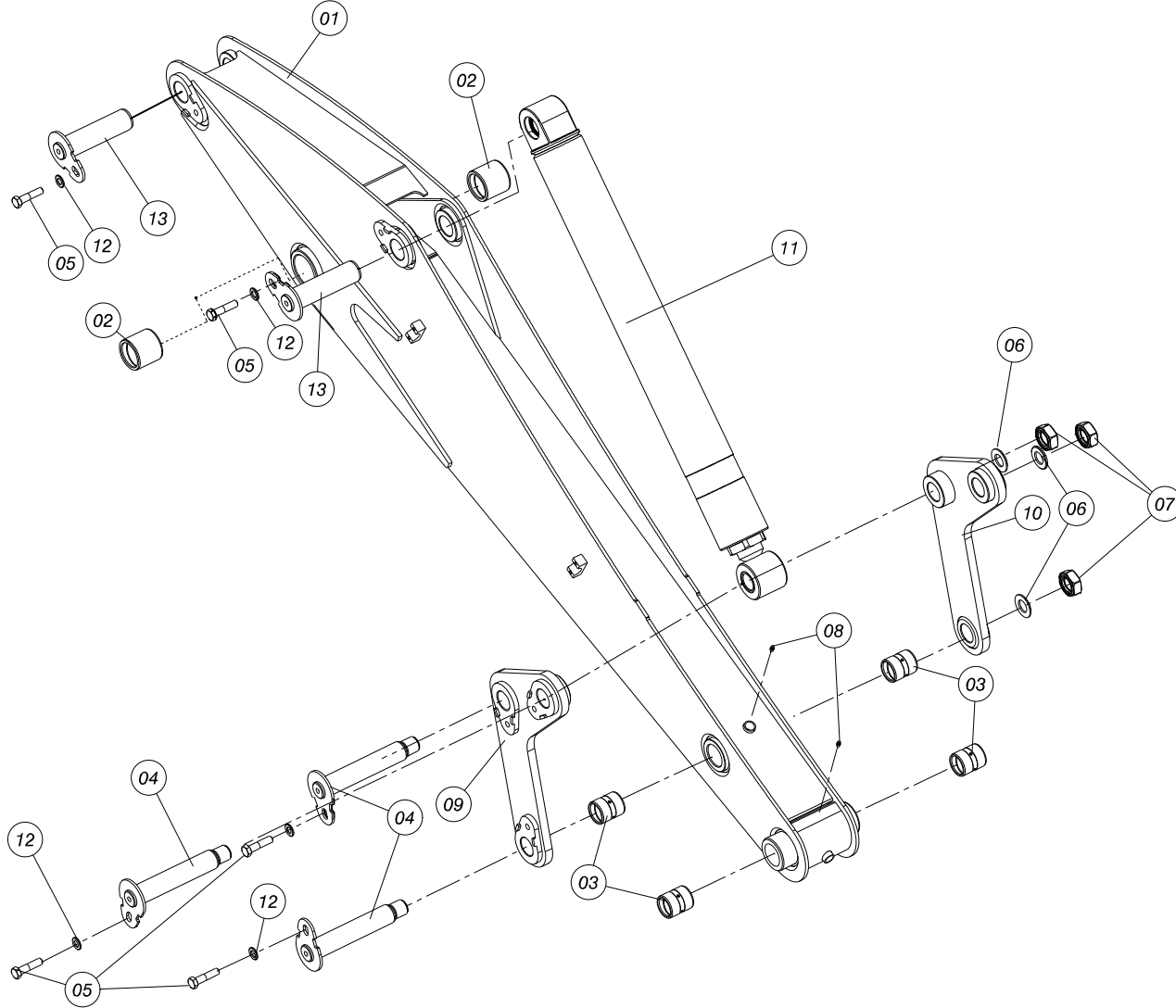
DÖNÜŞ-I, DÖNÜŞ-II / KINGPOST-I, KINGPOST-II

POS	YEDEK PARÇA KODU SPARE PART CODE	REFERANS KODU REFERENCE CODE	PARÇA TANIMI	DESCRIPTION	MİKTAR QTY.	NOT NOTE
1	5440801		DÖNÜŞ-I GÖVDESİ	KINGPOST-I BODY	1	DÖKÜM
2	5420803		BURÇ, ÇAKMA	BUSH	4	Ø65 x Ø85 x 35 x 30 x Ø80
3	5440802		PLAKA, DÖNÜŞ SİLİNDİRİ ÜST BAĞLANTI	PLATE, KINGPOST RAM	1	t = 50 mm
4	5420872		PUL	WASHER	5	¾" DÜZ, KALIN
5	5420806		PUL	WASHER	5	¾" YAYLI
6	5420805		CIVATA	BOLT	5	¾" x 5" UNC
7	5420821		KAPAK, YAĞ, DÖNÜŞ	COVER	4	Ø108 x Ø80 x 17
8	5420880		O-RİNG	O'RING	4	Ø73.03 x Ø3.53
9	5420877		CIVATA	BOLT	8	M8 x 20, İNBUS, HAVŞA BAŞLI
10	5440807		DÖNÜŞ-II GÖVDESİ	KINGPOST-II BODY	1	DÖKÜM
11	5420858		BURÇ, ÇAKMA	BUSH	1	Ø70 x Ø100 x 58 x 51 x Ø85
12	5420868		BURÇ, ÇAKMA	BUSH	1	Ø70 x Ø100 x 68 x 61 x Ø85
13	5420844		KEÇE, TOZ	SEAL	4	Ø70 x Ø85 x 4
14	54208100		BURÇ	BUSH	2	Ø16 x Ø30 x 22
15	54209129		CIVATA	BOLT	2	M16x2 x 50
16	5420811		FİBER	FIBERBOARD, WASHER	2	Ø70 x Ø125 x 12
17	5420869		ŞİM	WASHER	4	Ø71 x Ø125 x 2
18	5420815		PİM	PIN	1	Ø70 x 211 DELİKLİ (Dönüş I - Dönüş II Üst Bağlantı)
19	5420816		CIVATA	BOLT	1	M12 x 140
20	5420603		SOMUN	NUT	4	M12, FİBERLİ
21	5420812		PİM	PIN	1	Ø70 x 220 ARMUTLU, SEGMAN KANALLI (Dönüş I - Dönüş II Alt Bağlantı)
22	5420814		SEGMAN	CIRCLIP	1	DIN 471/70
23	5420905		PUL	WASHER	3	DÜZ, KALIN, 5/8" (3 mm)
24	5420906		PUL	WASHER	3	YAYLI, 5/8"
25	54201237		CIVATA	BOLT	3	M16x2 x 30
26	5420818		PİM	PIN	2	Ø50 x 150 Dönüş Silindiri Mil Ucu Bağlantı
27	5420876		CIVATA	BOLT	2	M12 x 110, İNBUS
28	5420826		PİM	PIN	2	Ø60 x 160, ARMUTLU, GRESÖRLÜKLÜ Dönüş II Gövdesi - Bom Gövdesi Bağlantı
29	5420823		PİM	PIN	1	Ø50 x 230 Dönüş-II Gövdesi - Bom Silindiri Boru Ardı Bağlantı
30	5420845		CIVATA	BOLT	1	M12 x 90, İNBUS
31	5420828		PİM	PIN	1	Ø40 x 120
32	5420415		GRESÖRLÜK	GREASE NIPPLE	8	5/16" UNF

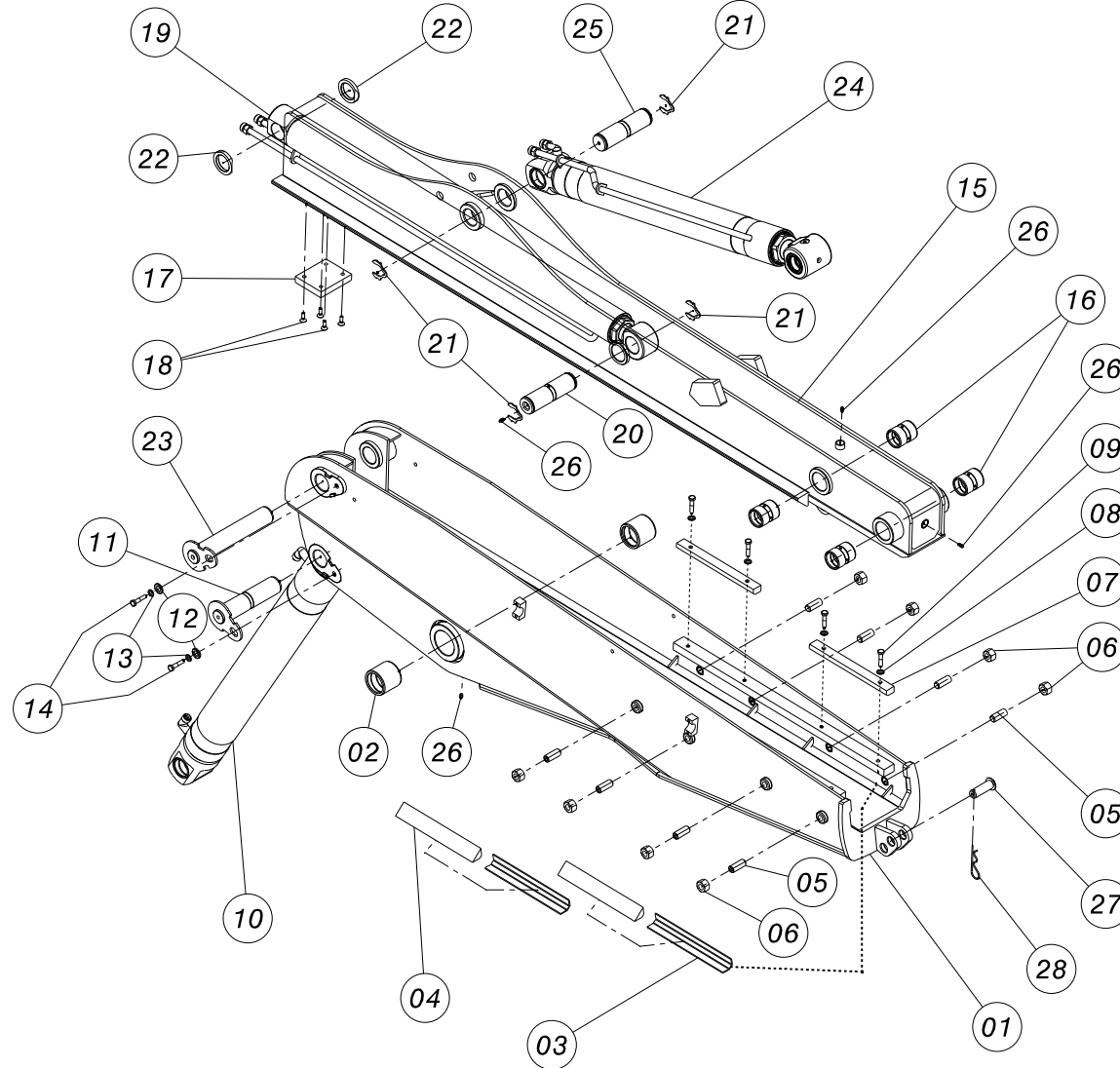
KAZICI BOM / BACKHOE BOOM



STANDART KAZICI KOL / STANDARD BACKHOE ARM

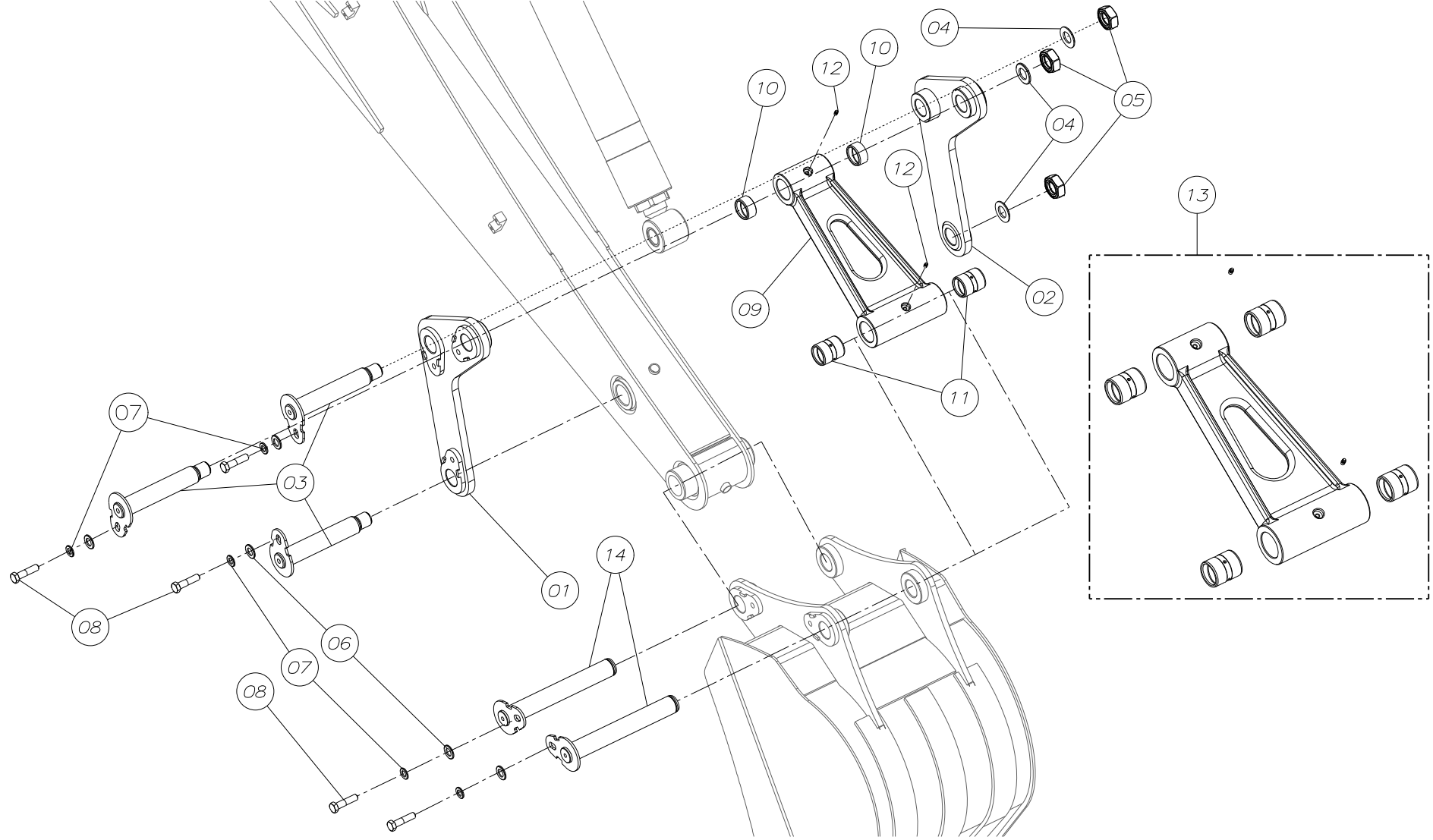


TELESKOBİK KAZICI KOL / *EXTENDING DIPPER*



TELESKOBİK KAZICI KOL / EXTENDING DIPPER

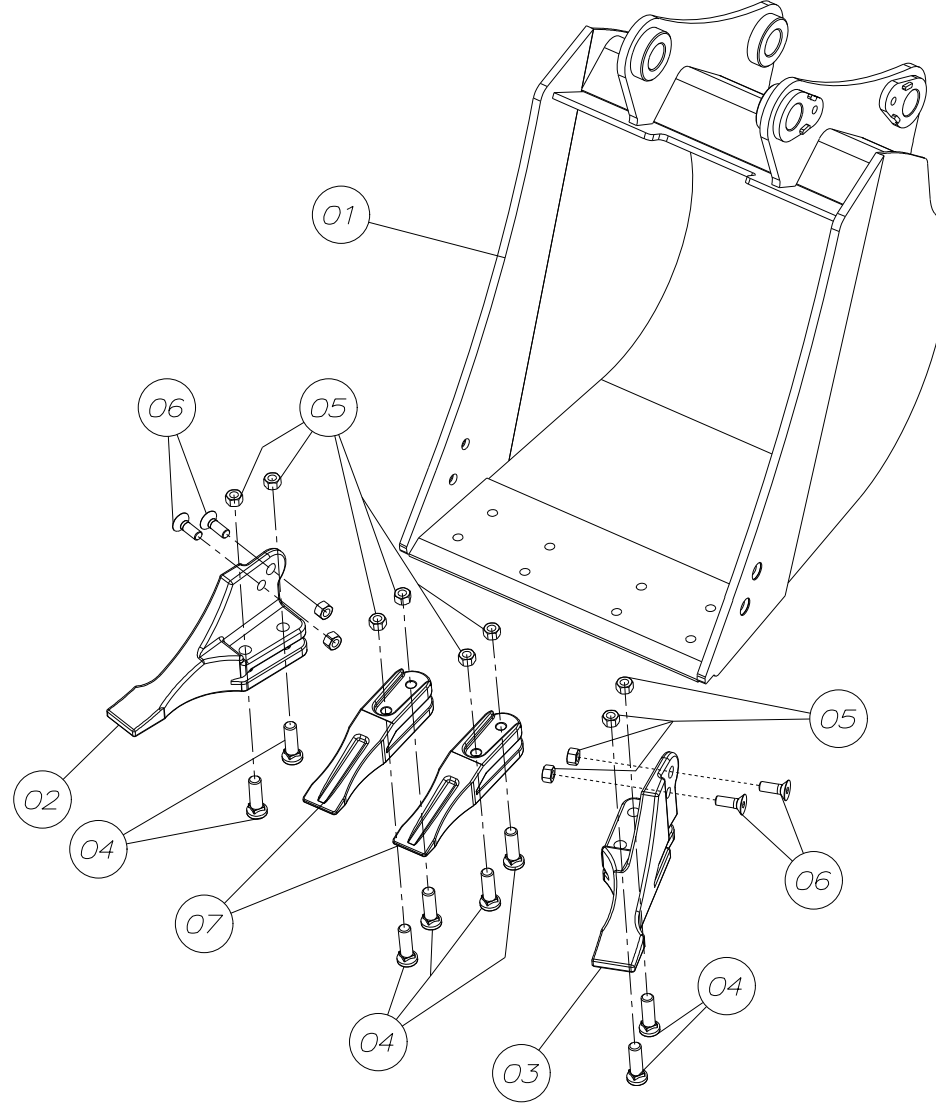
POS	YEDEK PARÇA KODU SPARE PART CODE	REFERANS KODU REFERENCE CODE	PARÇA TANIMI	DESCRIPTION	MİKTAR QTY.	NOT NOTE
1	5421701		TELESKOBİK KOL DIŞ KUTU GÖVDESİ	EXTENDING DIPPER BODY, OUTER	1	
2	5420955		BURÇ, ÇAKMA	BUSH	2	Ø60 x Ø75 x 68
3	5421731		SAC, ALT FİBER BAĞLANTI	BRACKET	4	
4	5421732		FİBER	FIBER	4	300 x 45 x 20, KIZAK ALT
5	5421710		CIVATA	BOLT	8	M20x2.5 AA10x50, SETÜSKÜR
6	54217107		SOMUN	NUT	8	M20x2.5
7	5421713		FİBER	FIBER	4	300 x 30 x 20, KIZAK ÜST
8	5423403		PUL	WASHER	8	3/8" DÜZ, KALIN
9	5421429		CIVATA	BOLT	8	M10 x 40
10	5422600		KAZICI KOL SİLİNDİRİ	BACKHOE ARM RAM ASSEMBLY	1	
11	54217105		PİM	PIN	1	Ø50 x 225, ARMUTLU Teleskobik Kol Dış Kutu Gövdesi - Kazıcı Kol Silindiri Mil Ucu Bağlantı
12	5420905		PUL	WASHER	2	DÜZ, KALIN, 5/8" (3 mm)
13	5420906		PUL	WASHER	2	YAYLI, 5/8"
14	5420477		CIVATA	BOLT	2	M16x2 x 20
15	5421702		TELESKOBİK KOL İÇ KUTU GÖVDESİ	EXTENDING DIPPER BODY, INNER	1	
16	5421719		BURÇ, ÇAKMA	BUSH	4	Ø45 x Ø55 x 68
17	5421723		FİBER	FIBER	1	120 x 100 x 20
18	5421724		CIVATA	BOLT	4	M8 x 25, İNBUS, HAVŞA BAŞLI
19	5422900		TELESKOBİK KOL SİLİNDİRİ	EXTENDING DIPPER RAM ASSEMBLY	1	
20	5421795		PİM	PIN	1	Ø50 x 175, İKİ TARAFI SEGMAN KANALLI Teleskobik Kol İç Kutu Gövdesi - Teleskobik Kol Silindiri Mil Ucu Bağlantı
21	5420478		SEGMAN	CIRCLIP	4	DIN 471/50
22	5422902		FİBER	FİBER	2	Ø50 x Ø70 x 10
23	5421708		PİM	PIN	1	Ø50 x 293, ARMUTLU Teleskobik Kol Dış Kutu Gövdesi - Teleskobik Kol Silindiri Boru Ardı Bağlantı
24	5422700T		KAZICI KEPÇE SİLİNDİRİ	BACKHOE BUCKET RAM ASSEMBLY	1	Teleskobik Kol monteli makinalarda kullanıldı / Used in extending dipper assembled machines.
25	5421798		PİM	PIN	1	Ø50 x 185, İKİ TARAFI SEGMAN KANALLI Teleskobik Kol İç Kutu Gövdesi - Kazıcı Kepçe Silindiri Boru Ardı Bağlantı
26	5420415		GRESÖRLÜK	GREASE NIPPLE	2	5/16" UNF
27	5421737		PİM	PIN	1	Ø24.5 x 89
28	5421799		KİLİTLEME PİMİ	PIN, LOCK	1	3 mm FİRKETE

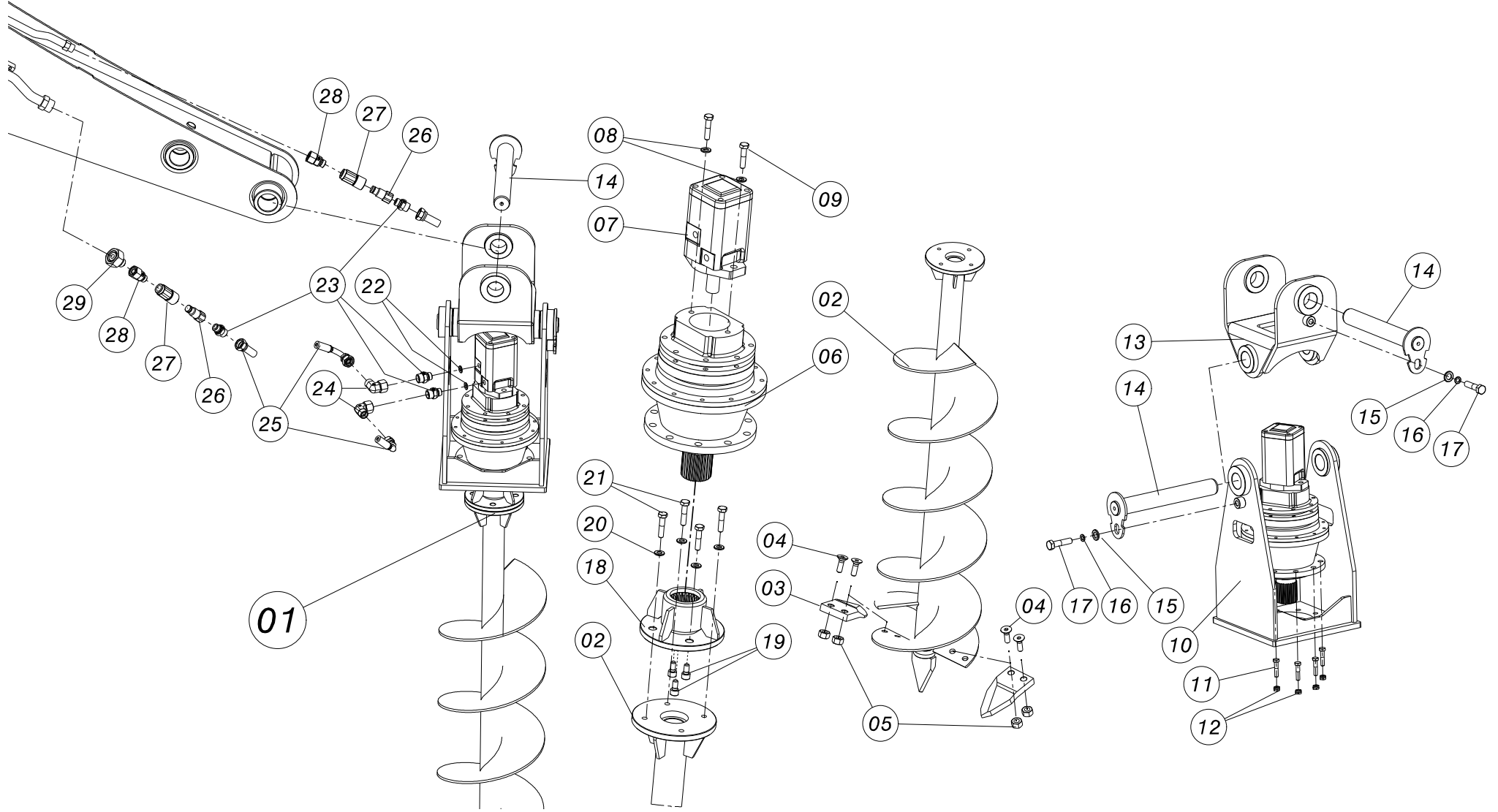


MANİVELA 5 – MANİVELA 6 MONTAJI / LEVER 5 – LEVER 6 MOUNTING

POS	YEDEK PARÇA KODU SPARE PART CODE	REFERANS KODU REFERENCE CODE	PARÇA TANIMI	DESCRIPTION	MİKTAR QTY.	NOT NOTE
1	5421623		MANİVELA – V KOMPLE	LEVER – V ASSY.	1	ARMUT TİP BURÇ KAYNAKLI
2	5421622		MANİVELA – V KOMPLE	LEVER – V ASSY.	1	BURÇ KAYNAKLI
3	5421013		PİM	PIN	3	Ø45 x 279, ARMUTLU, SOMUNLU
4	5421655		PUL	WASHER	3	Ø36.5 x Ø75 x 4
5	5421637		SOMUN	NUT	3	M36x27, FİBERLİ
6	5420905		PUL	WASHER	5	DÜZ, KALIN, 5/8" (3 mm)
7	5420906		PUL	WASHER	5	YAYLI, 5/8"
8	5420477		CIVATA	BOLT	5	M16x2 x 20
9	5421606		MANİVELA – VI	LEVER – VI	1	DÖKÜM
10	5420472		BURÇ, ÇAKMA	BUSH	2	Ø45 x Ø55 x 45
11	5421719		BURÇ, ÇAKMA	BUSH	2	Ø45 x Ø55 x 68
12	5420415		GRESÖRLÜK	GREASE NIPPLE	2	5/16" UNF
13	5421624		MANİVELA – VI KOMPLE	LEVER – VI ASSY.	1	KOMPLE BURÇLU (DÖKÜM TİP)
14	5421105		PİM	PIN	2	Ø45 x 340, ARMUTLU

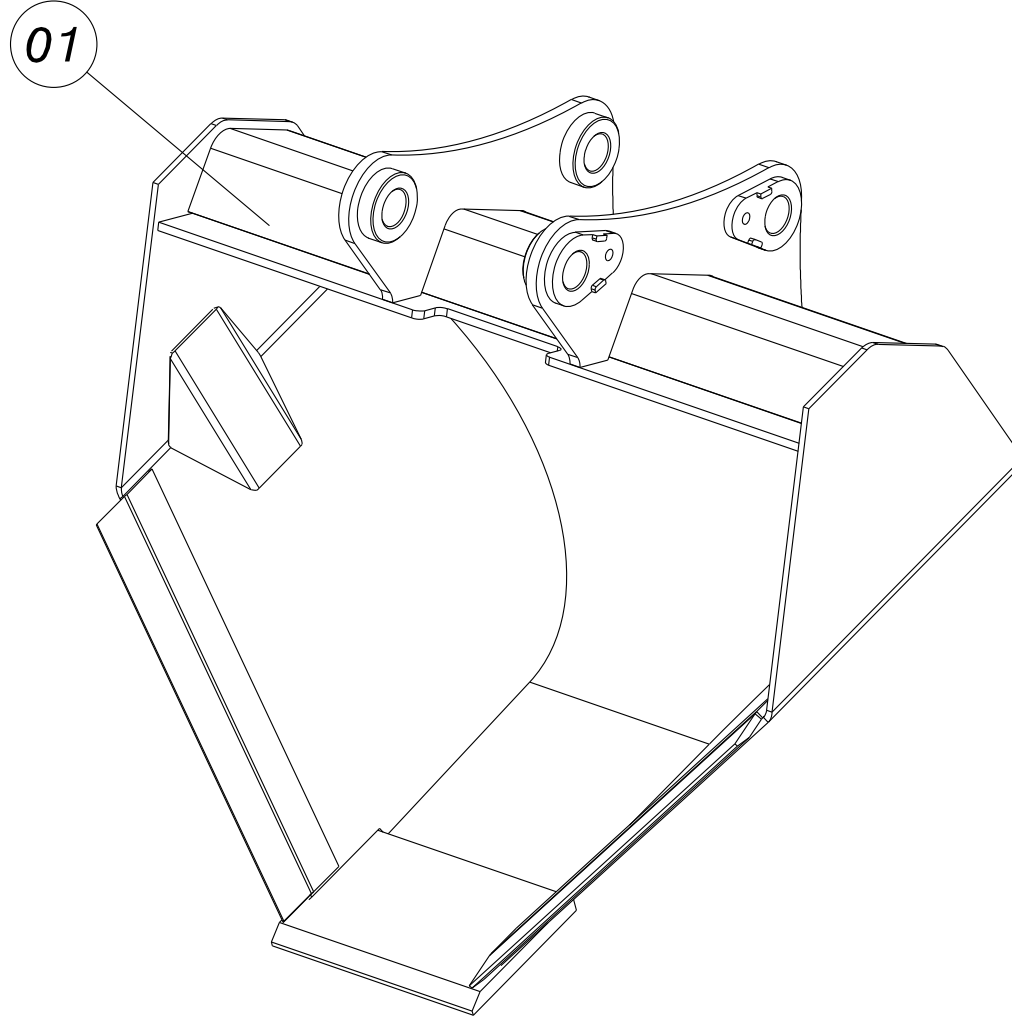
KAZICI KEPÇE GÖVDESİ / BACKHOE BUCKET BODY

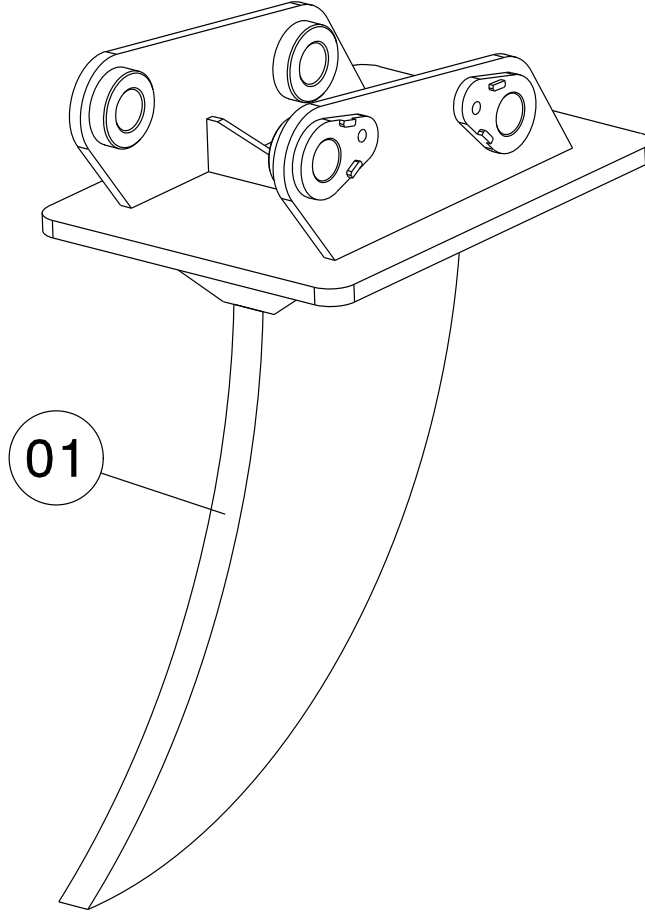




BURGU ATAŞMANI / EARTH DRILL ATTACHMENT

POS	YEDEK PARÇA KODU SPARE PART CODE	REFERANS KODU REFERENCE CODE	PARÇA TANIMI	DESCRIPTION	MİKTAR QTY.	NOT NOTE
1	5425300		BURGU KOMPLESİ	EARTH DRILL ASSY.	1	
2	5425301		BURGU UCU	DRILL	1	300 mm
3	54253015		BIÇAK	CUTTER	2	HARDOX
4	5421116		CIVATA	BOLT	4	5/8" x 1 3/4" İMBUS, HAVŞALI
5	5420401		SOMUN	NUT	4	5/8" UNC
6	544S0428		REDÜKTÖR (DİŞLİ KUTUSU)	GEAR BOX	1	S 302 1/7
7	544S0429		HİDROLİK MOTOR	MOTOR, HYDRAULIC	1	300 CC
8	5423960		PUL	WASHER	2	3/8" YAYLI
9	5421727		CIVATA	BOLT	2	M10 x 25
10	5425303		BAĞLANTI GÖVDESİ	BRACKET	1	ALT / LOWER
11	54201241		CIVATA	BOLT	10	M12 x 45
12	5420603		SOMUN	NUT	10	M12 FİBERLİ
13	5425302		BAĞLANTI GÖVDESİ	BRACKET	1	ÜST / UPPER
14	5421105		PİM	PIN	2	Ø45 x 340, ARMUTLU
15	5420905		PUL	WASHER	2	DÜZ, KALIN, 5/8" (3 mm)
16	5420906		PUL	WASHER	3	YAYLI, 5/8"
17	5420477		CIVATA	BOLT	5	M16x2 x 20
18	5425304		BAĞLANTI GÖVDESİ	BRACKET	1	REDÜKTÖR BAĞLANTI FLANŞ TAKIMI
19	5421307		CIVATA	BOLT	3	M10 x 20
20	5421201		PUL	WASHER	4	M12 DÜZ
21	5421202		CIVATA	BOLT	4	M12 x 25
22	5423745		RONDELA, BAKIR	WASHER	2	1/2" G.D.
23		GE16SREDOMDA3C	NİPEL	NIPPLE	4	G 1/2" A
24		EW16SOMDA3C	DİRSEK	ELBOW	2	ERKEK / MALE STUD
25	544S0552		HORTUM	HOSE	2	2SC 5/8" x 1460, M24x1.5 DÜZ - M24x1.5 90° (16S)
26	209119219		NİPEL KARŞILIđI	NIPPLE	2	ERKEK / MALE (1/2" QUICK COUPLING)
27	211119218		NİPEL GÖVDESİ	NIPPLE BODY	2	DİŞİ / FEMALE (1/2" QUICK COUPLING)
28		EGE16SREDA3C	ADAPTÖR	ADAPTER	2	M24 DİŞİ - G1/2"
29		RED25/16SOMDA3C	ADAPTÖR	ADAPTER	1	M36 DİŞİ - M24





7 - ŐAŐI / KAPORTA / TAMPON / JANT-LASTİK / KABİN / ELEKTRİK
MAIN FRAME | HOOD | BUMPER | TYRE-WHELL | CABIN | ELECTRIC



TANIM / DESCRIPTION

SAYFA NO / PAGE NUMBER

ŐAŐI – DİNGİL MONTAJI / MAIN FRAME – AXLE MOUNTING (M542)	001 – 002
ŐAŐI – DİNGİL MONTAJI / MAIN FRAME – AXLE MOUNTING (M544)	003 – 004
ŐAŐI – MOTOR & ŐANZIMAN MONTAJI / MAIN FRAME – ENGINE & TRANSMISSION MOUNTING	005 – 006
ÖN TAMPON MONTAJI / FRONT BUMPER MOUNTING	007 – 008
KAPORTA MONTAJI / HOOD MOUNTING	009 – 010
LASTİK & JANTLAR / TYRE & WHEEL (M542)	011 – 012
LASTİK & JANTLAR / TYRE & WHEEL (M544)	013 – 014
YAKIT TANKI – ŐAŐI, BASAMAK MONTAJI / FUEL TANK – MAIN FRAME, STEP MOUNTING	015 – 016
YAĐ TANKI – ŐAŐI, BASAMAK MONTAJI / OIL TANK – MAIN FRAME, STEP MOUNTING	017 – 018
YAKIT TANKI / FUEL TANK	019 – 020
TAKIM KUTUSU / TOOL BOX	021 – 022
KABİN KOMPLE / CABIN ASSEMBLY	023 – 024
KABİN TABANI & ŐAŐI MONTAJI / CABIN FLOOR & MAIN FRAME MOUNTING	025 – 026
KAPI, SAĐ / DOOR, RIGHT	027 – 028
GÜNCELLEME TARİHİ / LAST UPDATED : 20.03.2009	© 2009, YAYIN NO / ISSUE NO: M542-M544-TIER2

7 - ŐASI / KAPORTA / TAMPON / JANT-LASTİK / KABİN / ELEKTRİK
MAIN FRAME / HOOD / BUMPER / TYRE-WHELL / CABIN / ELECTRIC

TANIM / DESCRIPTION	SAYFA NO / PAGE NUMBER
PENCERE, SAĐ / WINDOW, RIGHT	029 – 030
KAPI, SOL / DOOR, LEFT	031 – 032
PENCERE, SOL / WINDOW, LEFT	033 – 034
KAPI – PENCERE MONTAJI / DOOR - WINDOW MOUNTING	035 – 036
ÖN CAM, TAVAN, PROJEKTÖR, AYNA, SİLECEK / FRONT GLASS, ROOF, HEAD LIGHTS, MIRROR, WIPER	037 – 038
ARKA CAM, SİLECEK / REAR GLASS, WIPER	039 – 040
ÖN ÇAMURLUK MONTAJI / FRONT FENDER MOUNTING (M542)	041 – 042
ARKA ÇAMURLUK & TEKMELİK / REAR FENDER & GUARD (M542)	043 – 044
ÖN – ARKA ÇAMURLUK & TEKMELİK / FRONT – REAR FENDER & GUARD (M544)	045 – 046
ÇAMURLUK (GEZER KIZAK ARKA) / FENDER REAR	047 – 048
KABİN TABANI & PASPAS / CABIN FLOOR & FLOORMAT	049 – 050
ÖN KONSOL & KALORİFER VANASI MONTAJI / FRONT CONSOL & HEATER WATER VALVE MOUNTING	051 – 052
YAN GÖSTERGE PANELİ / DASHBOARD	053 – 054
GÖSTERGE SAATI, YAN / MULTIFUNCTIONAL PANEL, SIDE	055 – 056
KONSOL ARKA & SOL YAN / CONSOLE REAR & LEFT SIDE	057 – 058
YÜKLEYİCİ "KÖRÜK, LEVYE, TOPUZ" / LOADER "BELLOWS, LEVER, KNOB"	059 – 060
KAZICI "KÖRÜK, LEVYE, TOPUZ" / BACKHOE "BELLOWS, LEVER, KNOB"	061 – 062
DİREKSİYON KONSOLU / STEERING CONSOLE	063 – 064
KOLTUK MONTAJI / SEAT MOUNTING	065 – 066
AYAK – EL GAZI / FOOT – HAND ACCELERATOR	067 – 068
EL FRENİ SİSTEMİ / HAND BRAKE SYSTEM	069 – 070
BOM KİLİTLEME SİSTEMİ / BOOM LOCK SYSTEM	071 – 072
ÖN FAR / LIGHT HEAD	073 – 074
ARKA STOP LAMBASI MONTAJI / REAR LAMP MOUNTING	075 – 076
AKÜ & GERİ VİTES İKAZ / BATTERY & BACK HORN	077 – 078
DEVRE KESİCİ ŐALTER BAĐLANTISI / BATTERY MASTER SWITCH CONNECTION	079 – 080
ŐANZIMAN E.C.U. (TRAX) ÜNİTESİ / TRANSMISSION ELECTRONIC CONTROL UNIT	081 – 082
RÖLE, YÜKLEYİCİ KEPÇE TESVİYE / RELAY, LOADER BUCKET SMOOTHING	083 – 084
RÖLELER, YAN GÖSTERGE PANELİ / RELAYS, DASHBOARD	085 – 086
KLİMA KOMPRESÖRÜ & MOTOR MONTAJI / AIR CONDITIONER COMPRESSOR & ENGINE MOUNTING	087 – 088
GÜNCELLEME TARİHİ / LAST UPDATED : 20.03.2009	© 2009, YAYIN NO / ISSUE NO: M542-M544-TIER2

7 - ŐASI / KAPORTA / TAMPON / JANT-LASTİK / KABİN / ELEKTRİK
MAIN FRAME / HOOD / BUMPER / TYRE-WHELL / CABIN / ELECTRIC

TANIM / DESCRIPTION

SAYFA NO / PAGE NUMBER

KLİMA – RADYATÖR, FAN & FİLTRE MONTAJI / *AIR CONDITIONER – RADIATOR, FAN & FILTER MOUNTING*

089 – 090

KLİMA SİSTEMİ / *AIR CONDITIONER SYSTEM*

091 – 093

ELEKTRİK TESİSATI, ANA / *ELECTRIC INSTALLATION, MAIN* (M542 - M544)

094 – 095

ELEKTRİK TESİSATI, ŐANZIMAN UZATMA / *ELECTRIC INSTALLATION* (M542 - M544)

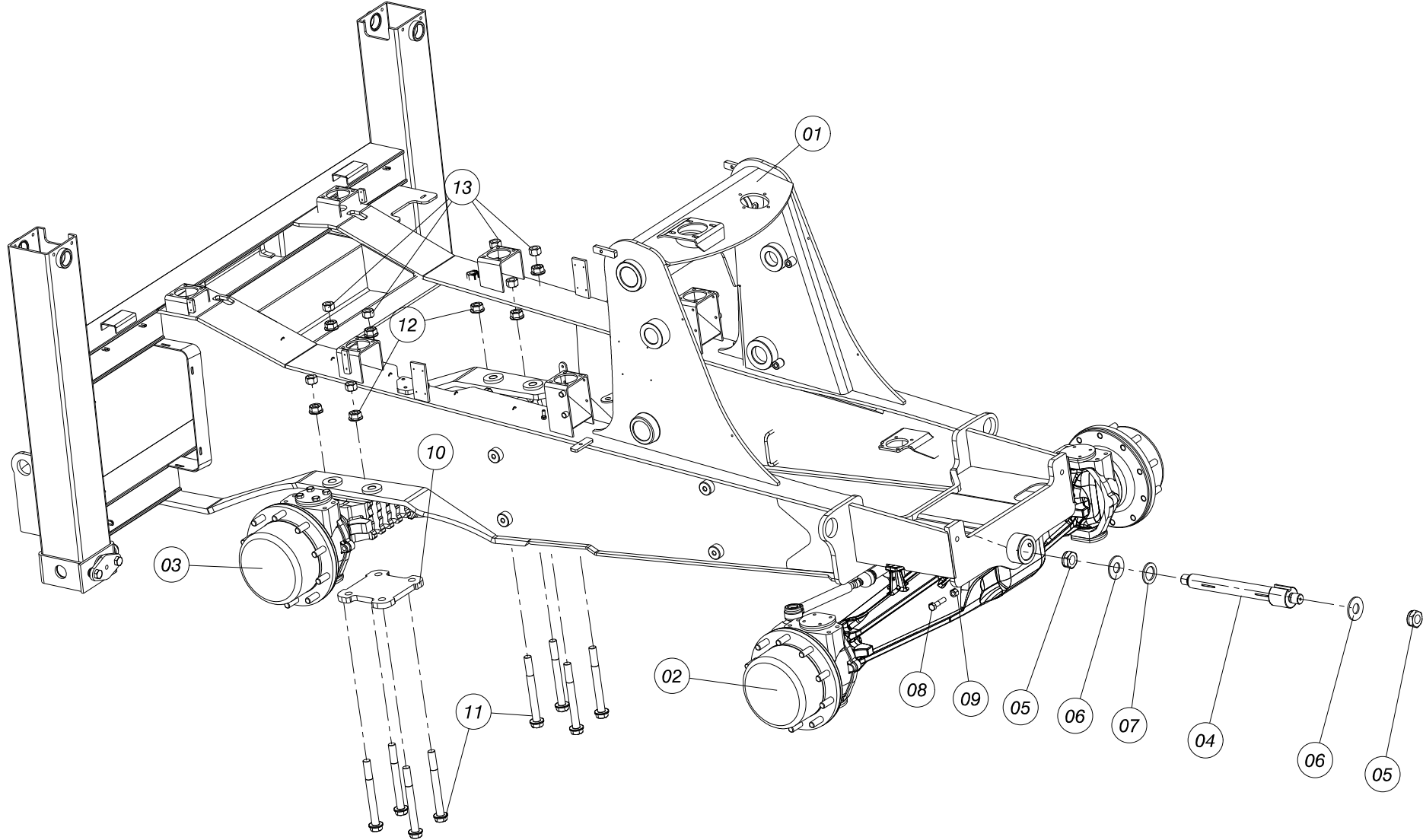
096

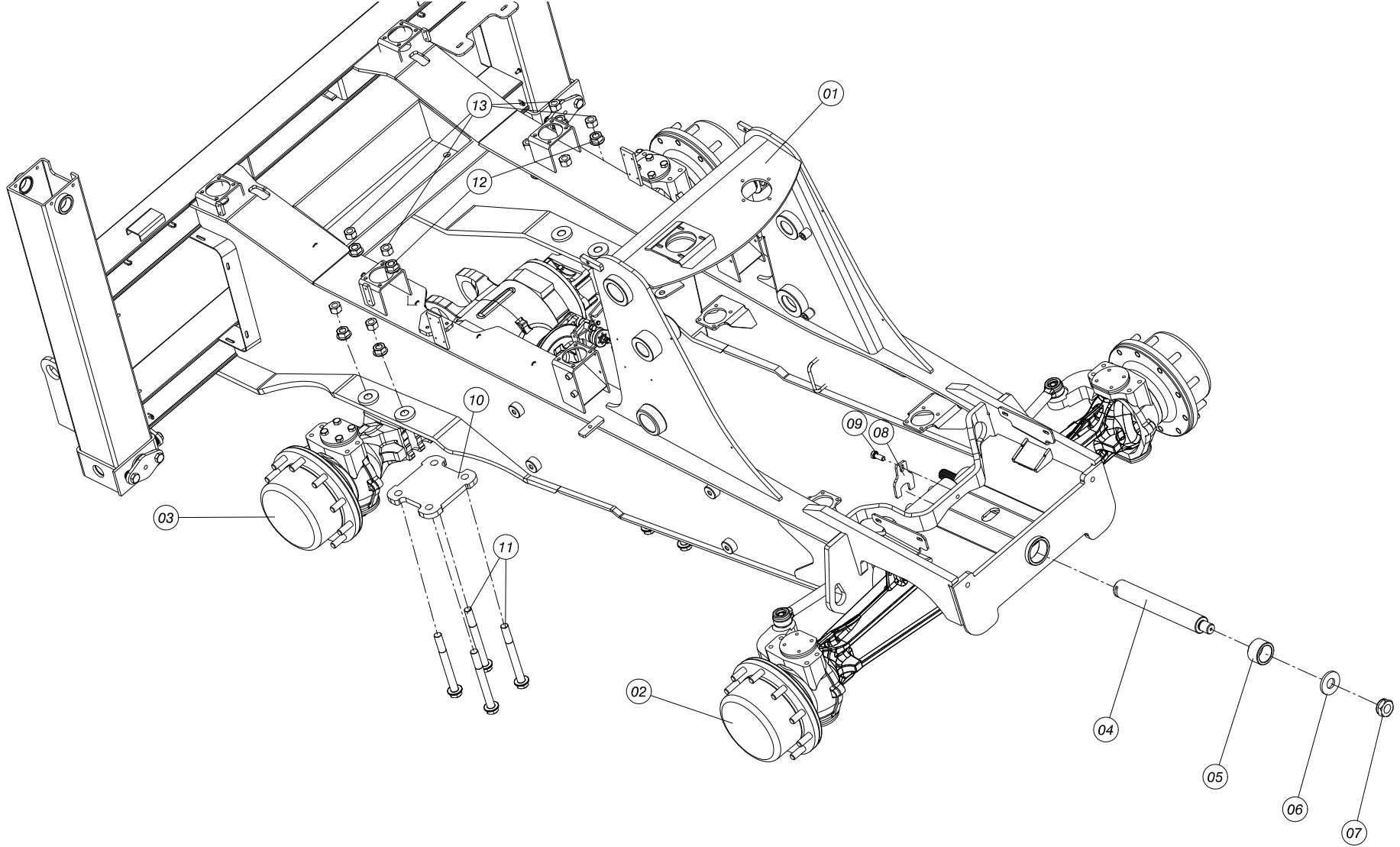
ELEKTRİK TESİSATI, ARKA STOP LAMBASI / *ELECTRIC INSTALLATION, REAR LAMP* (M542 - M544)

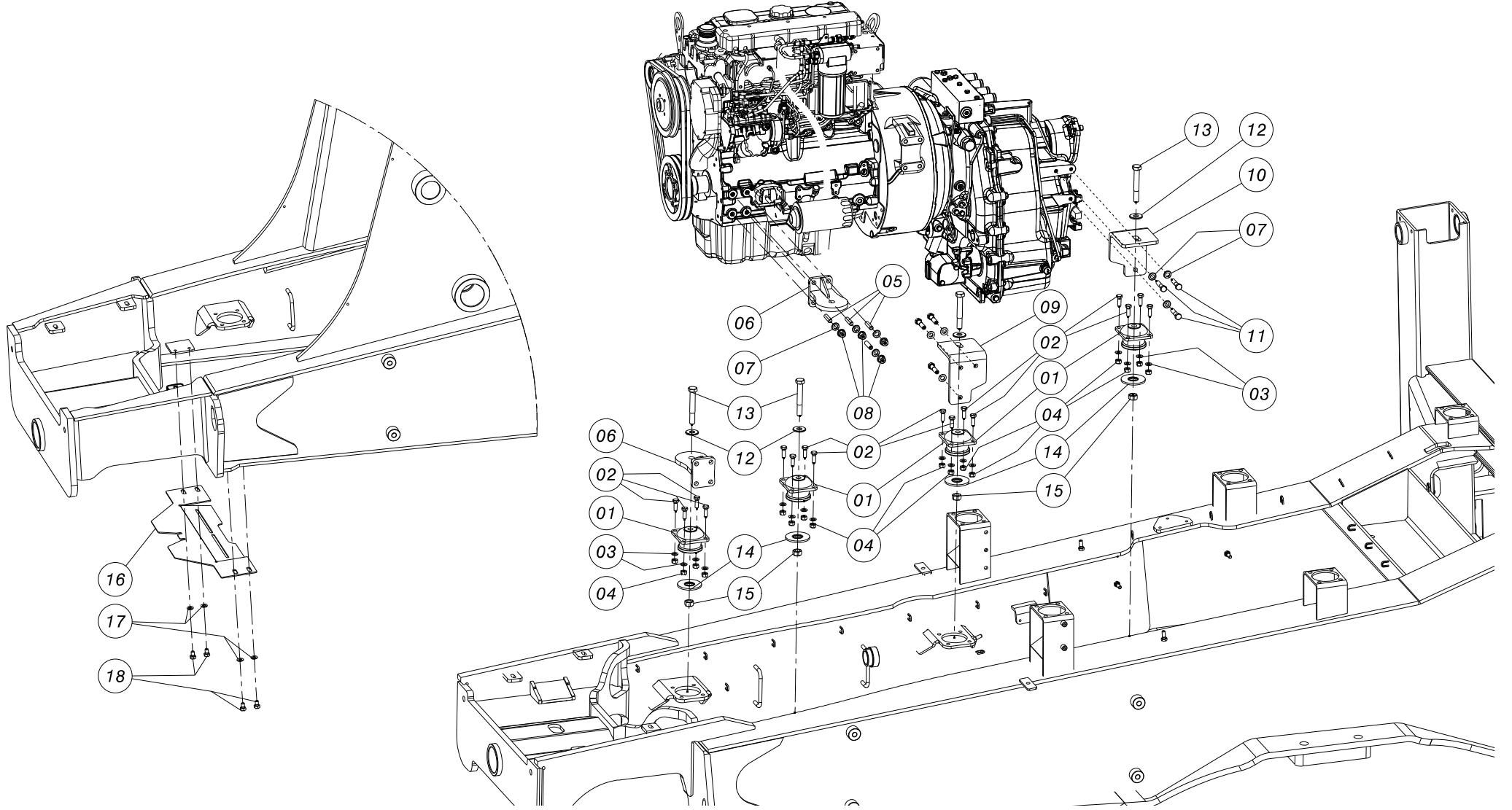
097

ELEKTRİK TESİSATI, 4WS ECU / *ELECTRIC INSTALLATION, 4WS ECU* (M544)

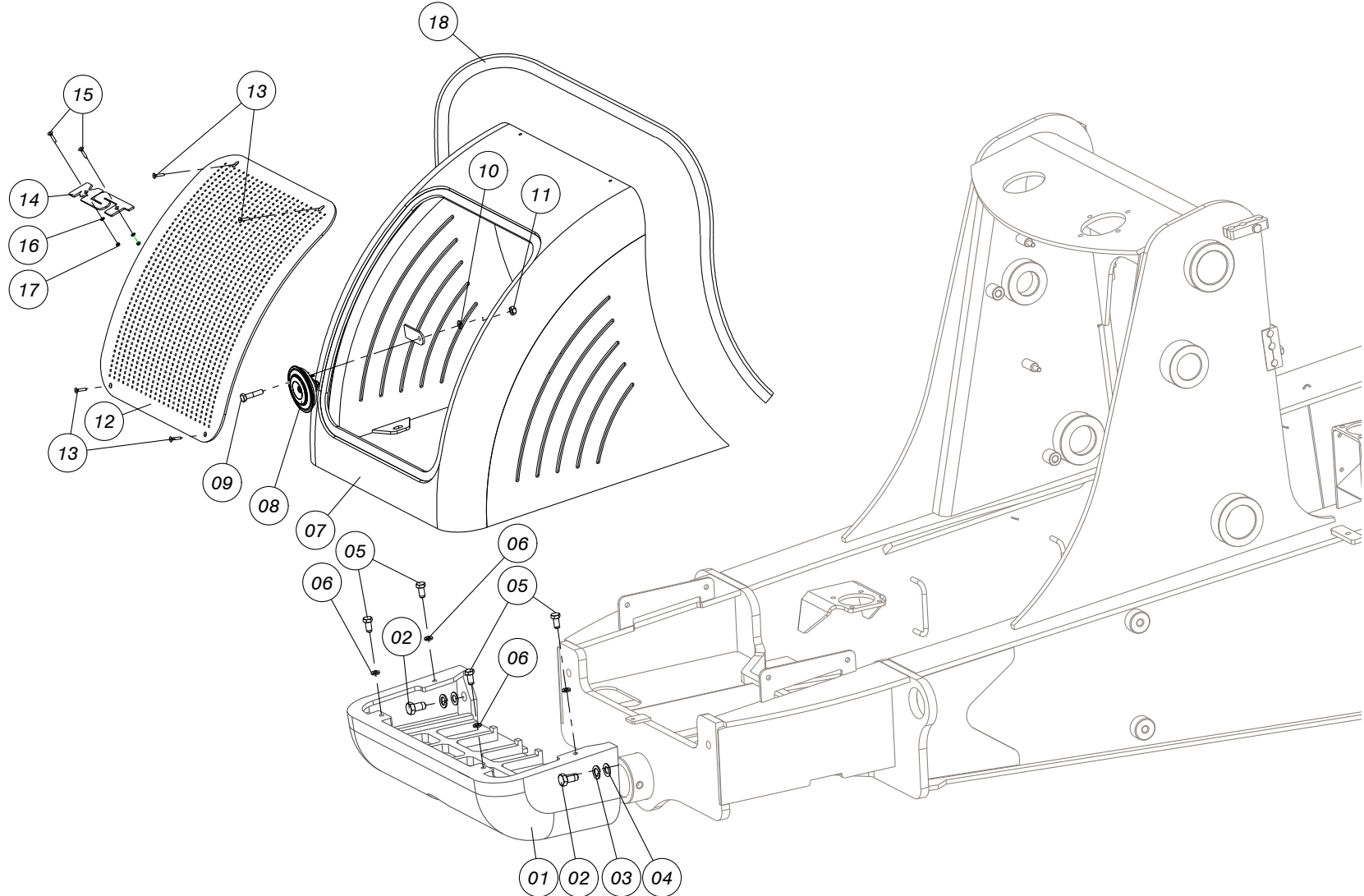
098





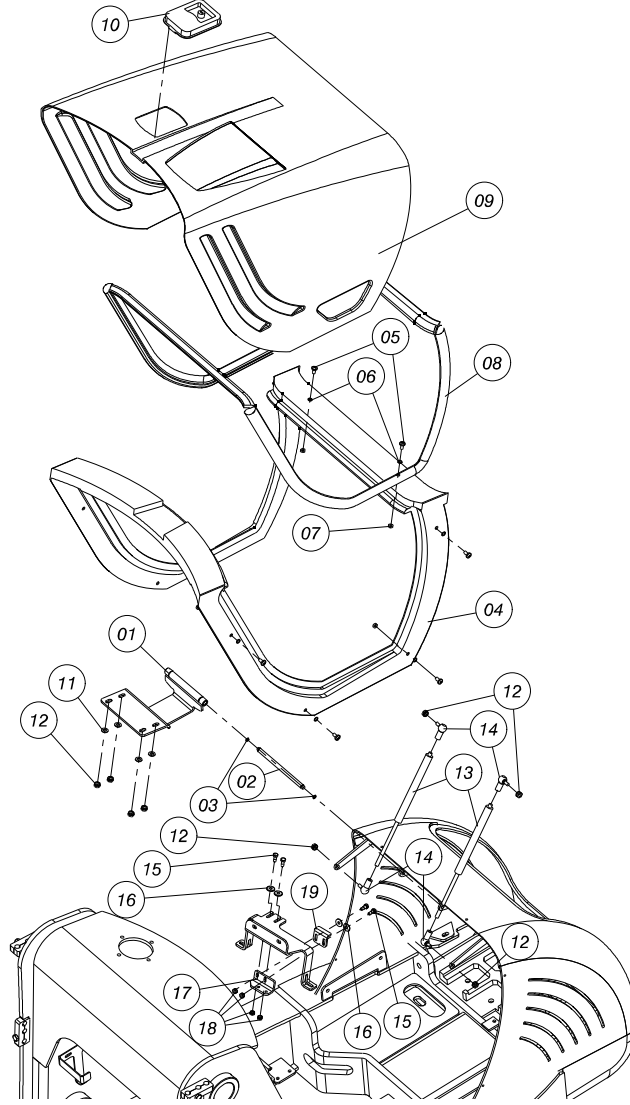


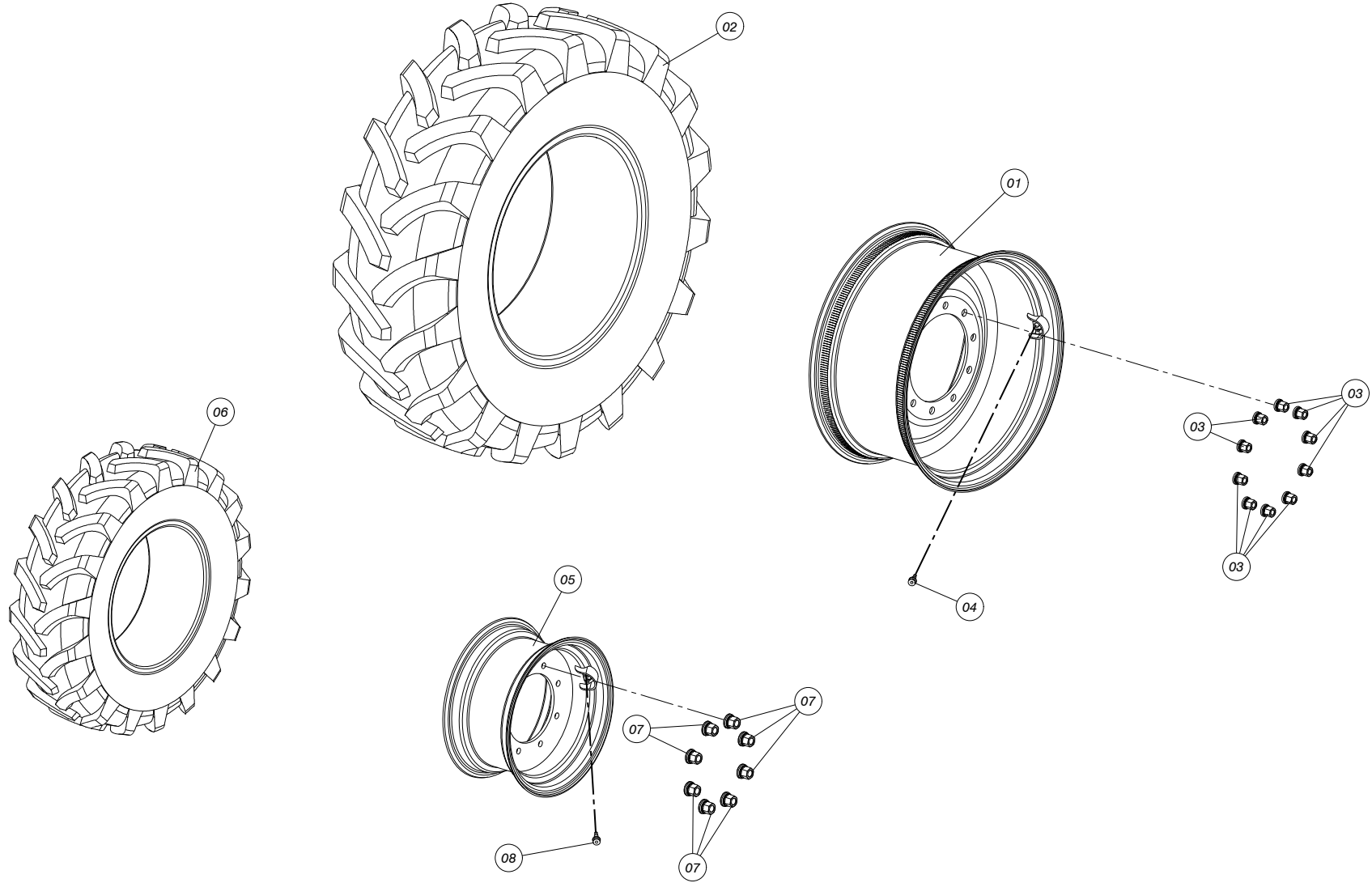
POS	YEDEK PARÇA KODU SPARE PART CODE	REFERANS KODU REFERENCE CODE	PARÇA TANIMI	DESCRIPTION	MİKTAR QTY.	NOT NOTE
1	5420111		TAKOZ	SHOCK ABSORBER	4	
2	5423405		CIVATA	BOLT	16	M10 x 25
3	5421217		PUL	WASHER	16	M10
4	5423429		SOMUN	NUT	16	M10 FİBERLİ
5	5420270		SAPLAMA	BOLT	8	M12x1.75 x 44
6	5420271		BAĞLANTI APARATI, MOTOR – ŞASİ	BRACKET, ENGINE - MAIN FRAME	2	ÖN / FRONT
7	5421201		PUL	WASHER	14	M12
8		3941200	SOMUN	NUT	8	M12, ŞAPKALI
9	5420180-A		BAĞLANTI APARATI, ŞANZİMAN - ŞASİ	BRACKET, TRANSMISSION - MAIN FRAME	1	SAĞ / RIGHT
10	5420180-B		BAĞLANTI APARATI, ŞANZİMAN - ŞASİ	BRACKET, TRANSMISSION - MAIN FRAME	1	SOL / LEFT
11	5420410		CIVATA	BOLT	6	M12 x 30
12	5420905		PUL	WASHER	4	5/8" (3 mm)
13	54201236		CIVATA	BOLT	4	M16x2 x 110
14	54201126		PUL	WASHER	4	Ø17 x Ø75 x 5
15	5420120		SOMUN	NUT	4	M16 FİBERLİ
16	5420187		TOZ KORUYUCU SAC	DUST COVER SHEET	1	M542 makinalarda kullanıldı / Used in M542 machines
17	5423403		PUL	WASHER	4	3/8" DÜZ, KALIN
18	5421259		CIVATA	BOLT	4	M10 x 16

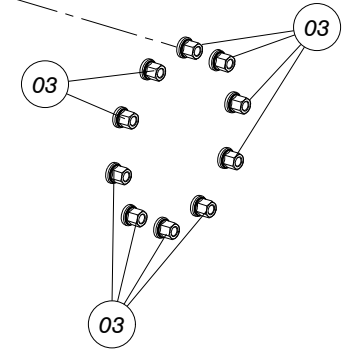
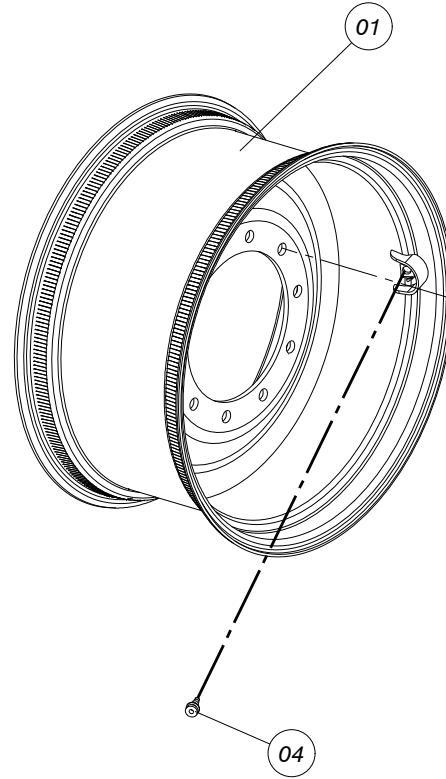
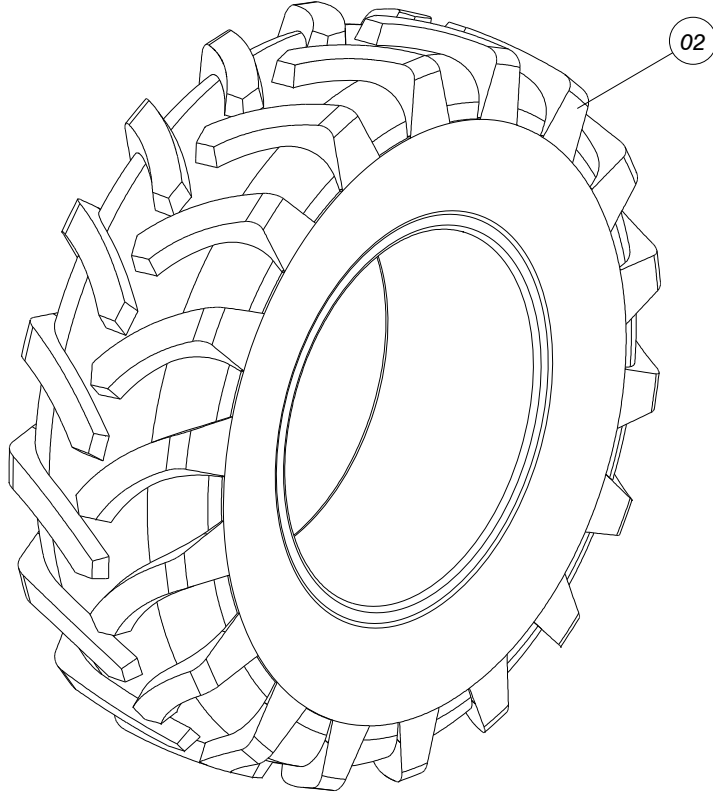


POS	YEDEK PARÇA KODU SPARE PART CODE	REFERANS KODU REFERENCE CODE	PARÇA TANIMI	DESCRIPTION	MİKTAR QTY.	NOT NOTE
1	5421501		ÖN TAMPON GÖVDESİ, ALT	FRONT BUMPER BODY, BOTTOM	1	
2	5420872		PUL	WASHER	2	3/4"
3	5420806		PUL	WASHER	2	3/4" YAYLI
4	5421567		CIVATA	BOLT	2	M20x2.5 x 50
5	5421570		ÖN TAMPON GÖVDESİ, ÜST	FRONT BUMPER BODY, UPPER	1	M542 makinalarda kullanıldı / Used in M542 machines
5	5441570		ÖN TAMPON GÖVDESİ, ÜST	FRONT BUMPER BODY, UPPER	1	M544 makinalarda kullanıldı / Used in M544 machines
6	5421201		PUL	WASHER	4	M12
7	5421202		CIVATA	BOLT	4	M12 x 25
8	5421525		KORNA	HORN	1	12V SEGER 40 FK12 LOW TONE 335 HZ 5A
9	5420725		CIVATA	BOLT	1	M8 x 15
10	5421432		PUL	WASHER	1	M8 DÜZ
11	5420622		SOMUN	NUT	1	M8 FİBERLİ
12	5421505		ÖN PANJUR	FRONT SHUTTER	1	
13	5421566		CIVATA	BOLT	4	M6 x 15, YILDIZ HAVŞA BAŞLI
14	5421530		LOGO	LOGOTYPE	1	MST
15	5421531		CIVATA	BOLT	2	M4 x 14, YILDIZ HAVŞA BAŞLI
16	5421534		PUL	WASHER	2	M4 DÜZ
17	5421532		SOMUN	NUT	2	M4 FİBERLİ
18	54215101		FİTİL	RUBBER	1	

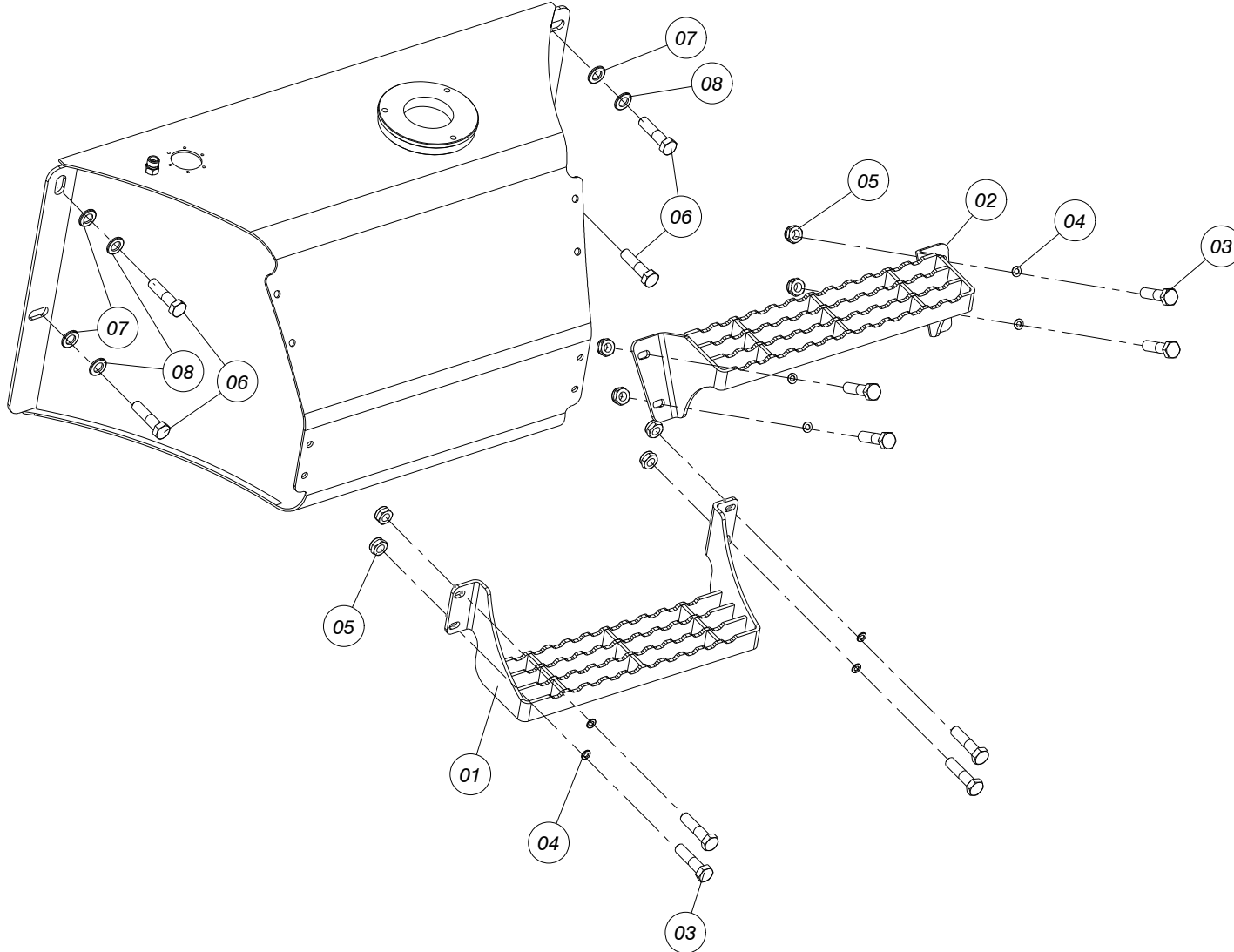
KAPUT MONTAJI / HOOD MOUNTING



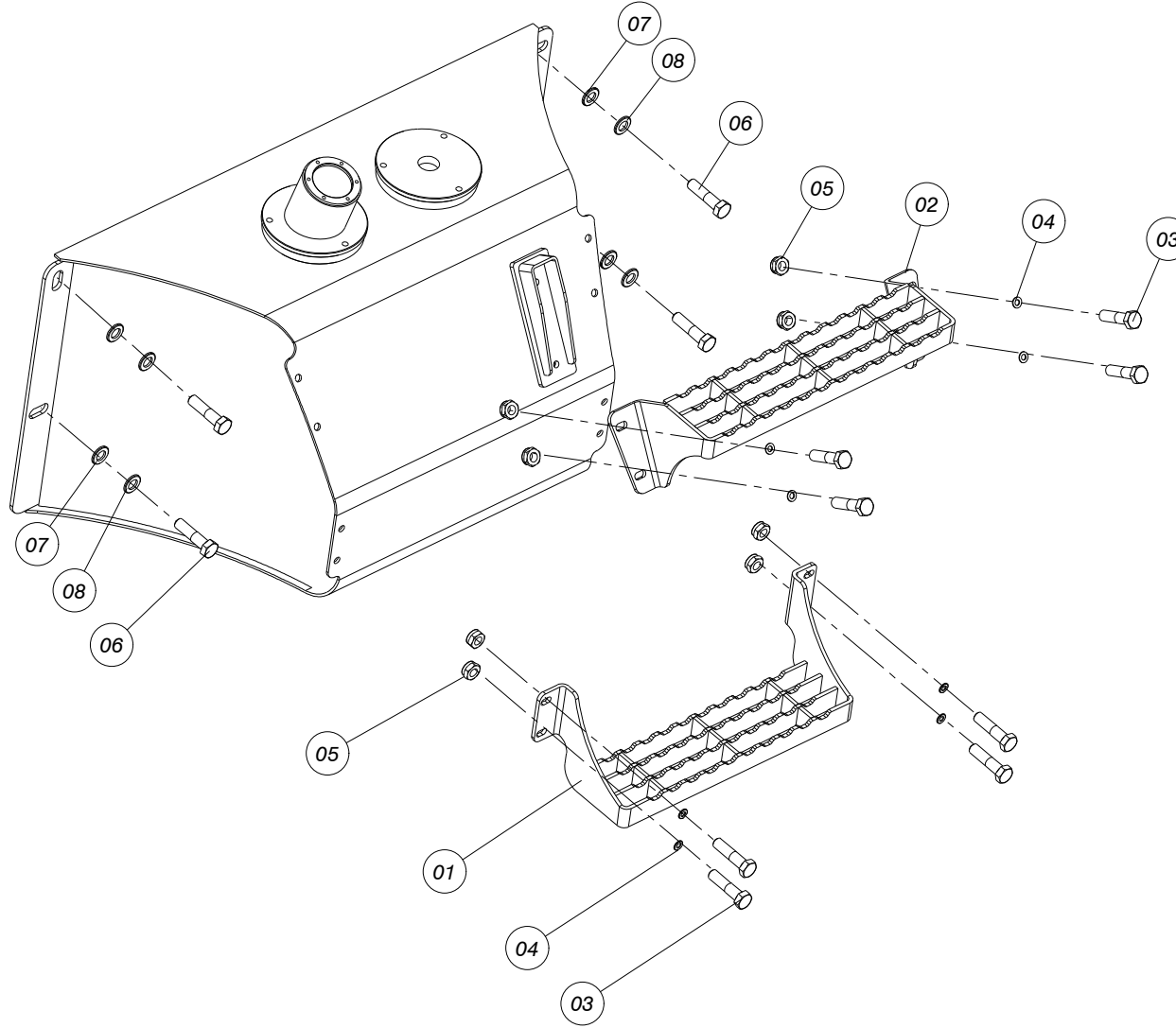




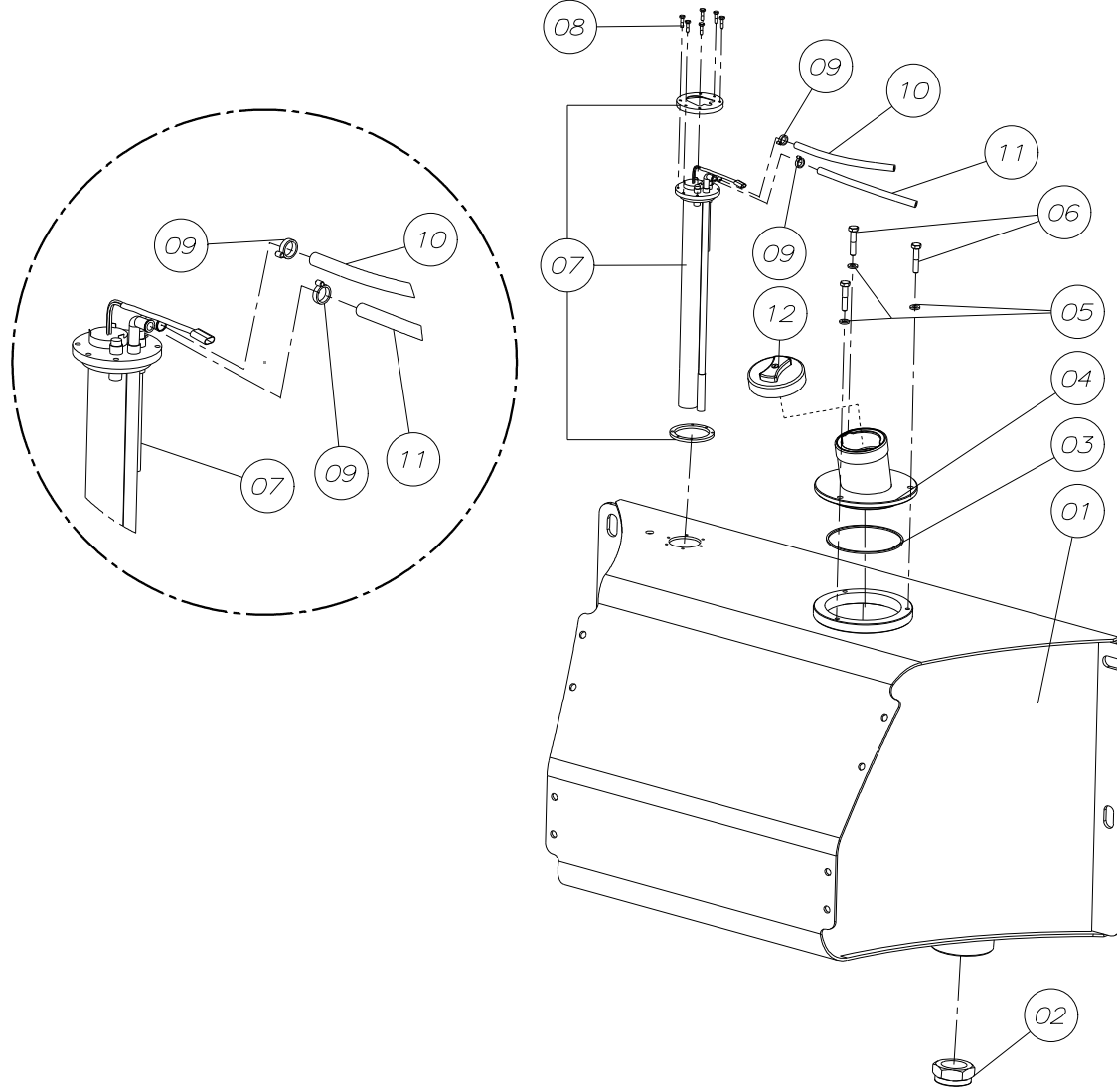
**YAKIT TANKI – ŐASI, BASAMAK MONTAJI /
FUEL TANK – MAIN FRAME, STEP MOUNTING**

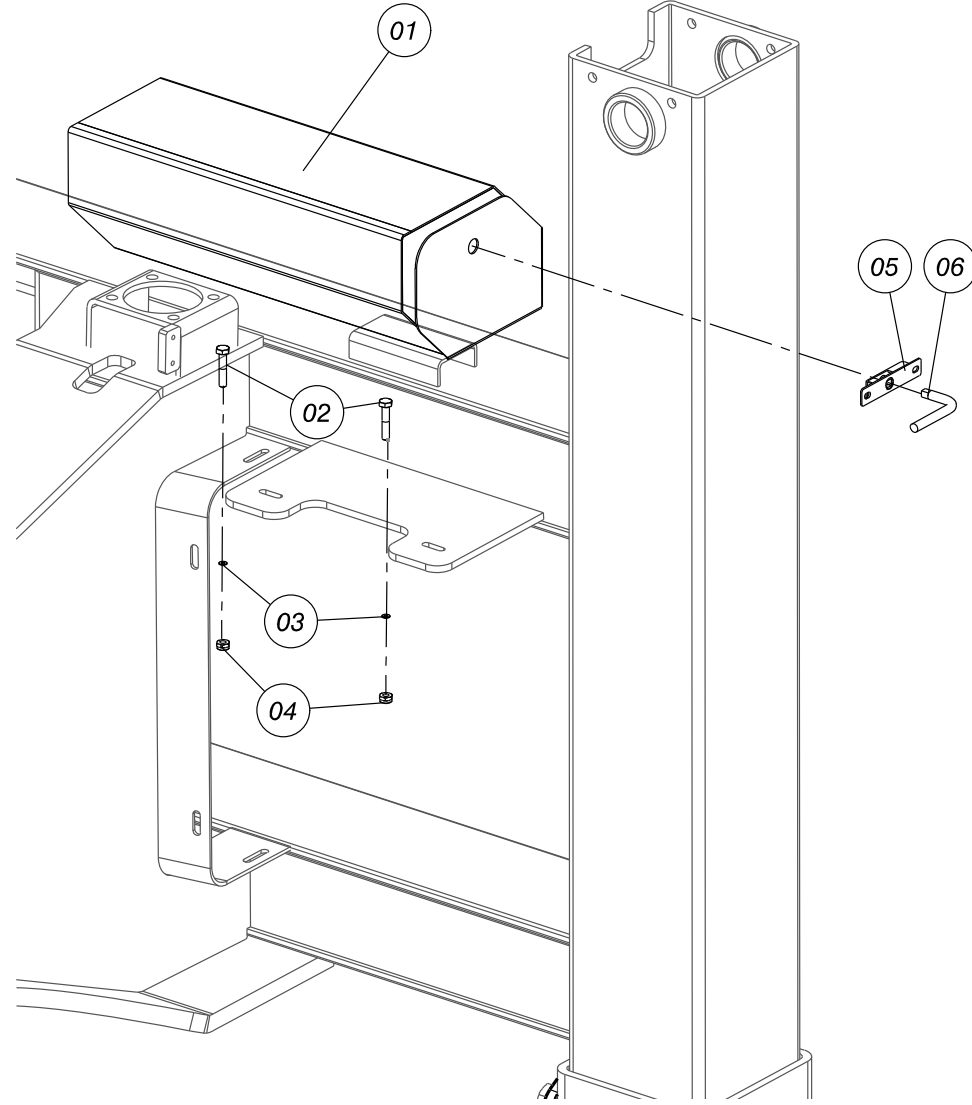


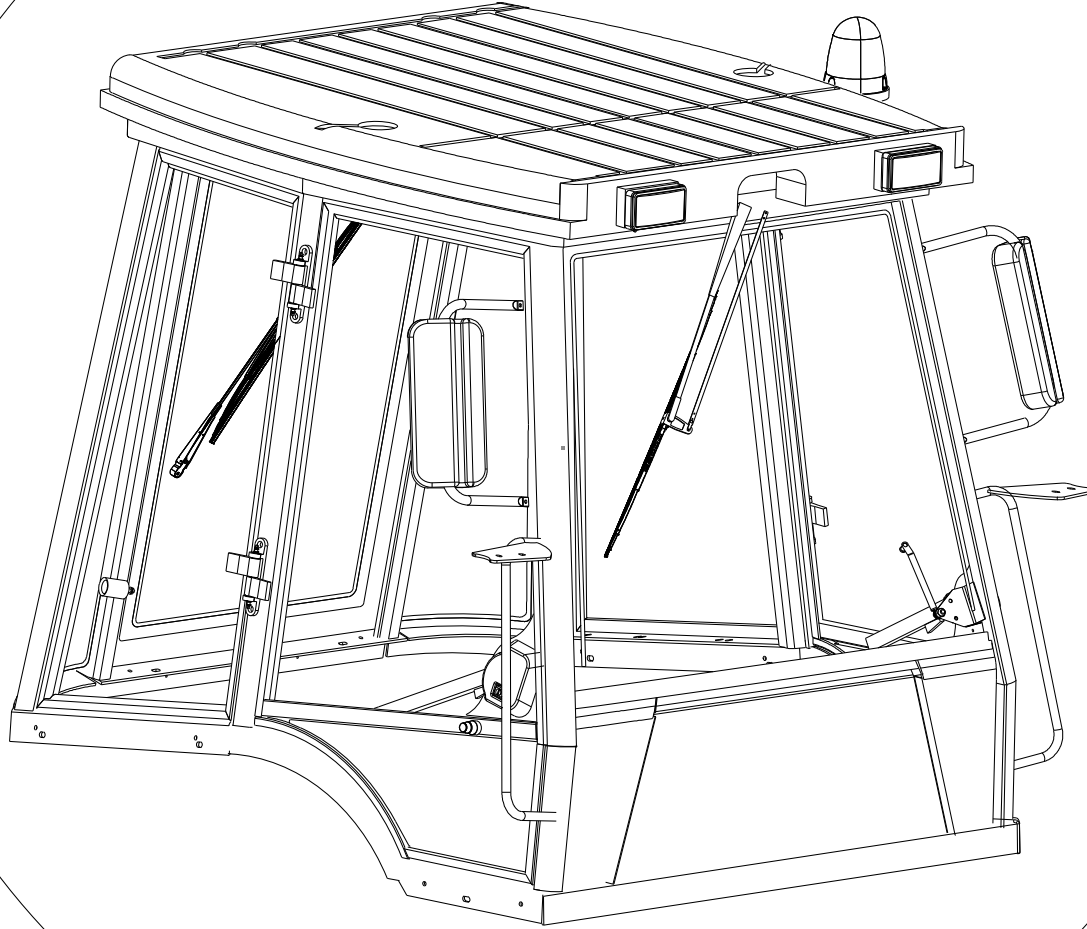
**YAđ TANKI – ŐASI, BASAMAK MONTAJI /
OIL TANK – MAIN FRAME, STEP MOUNTING**



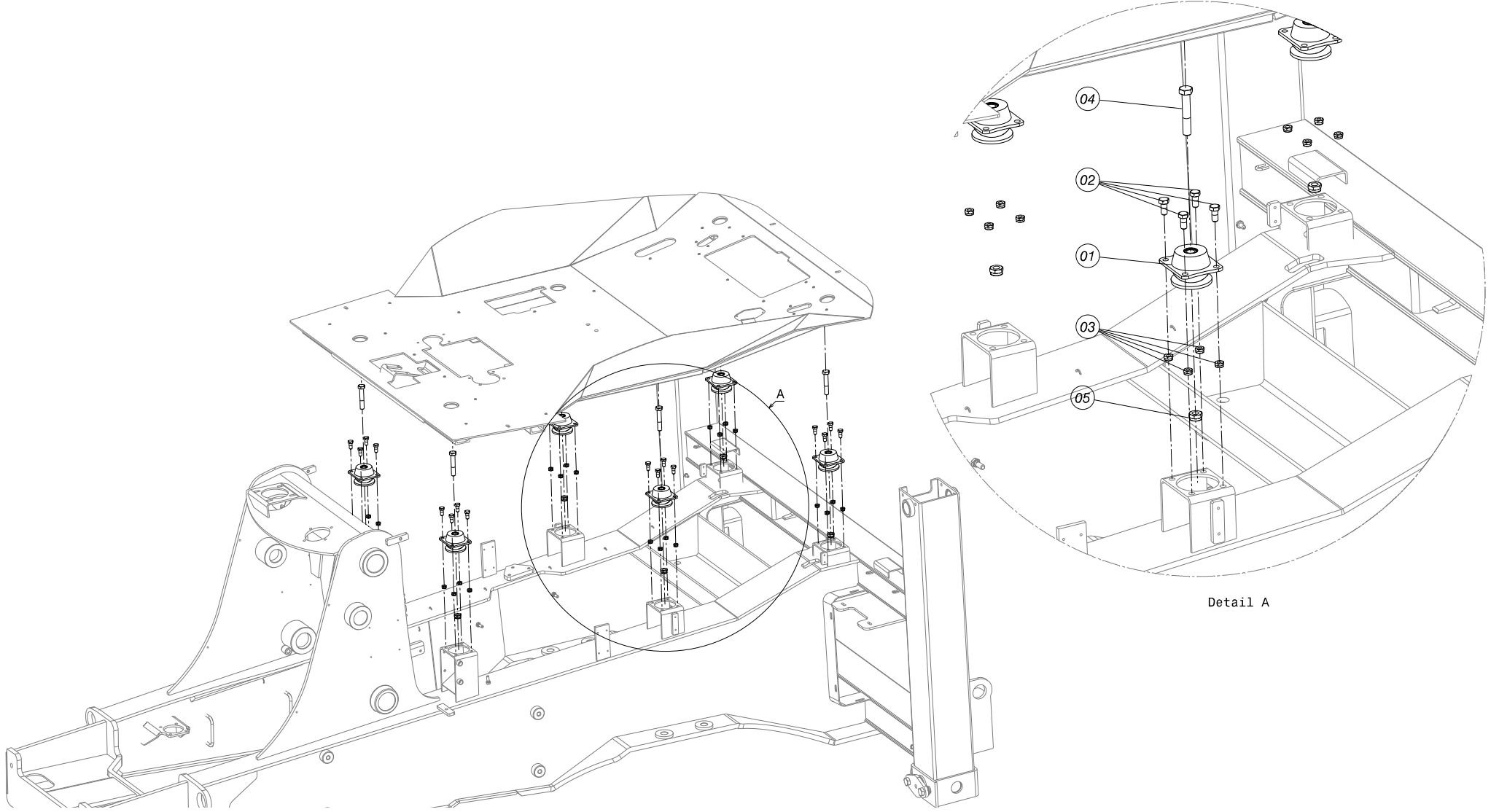
YAKIT TANKI / FUEL TANK

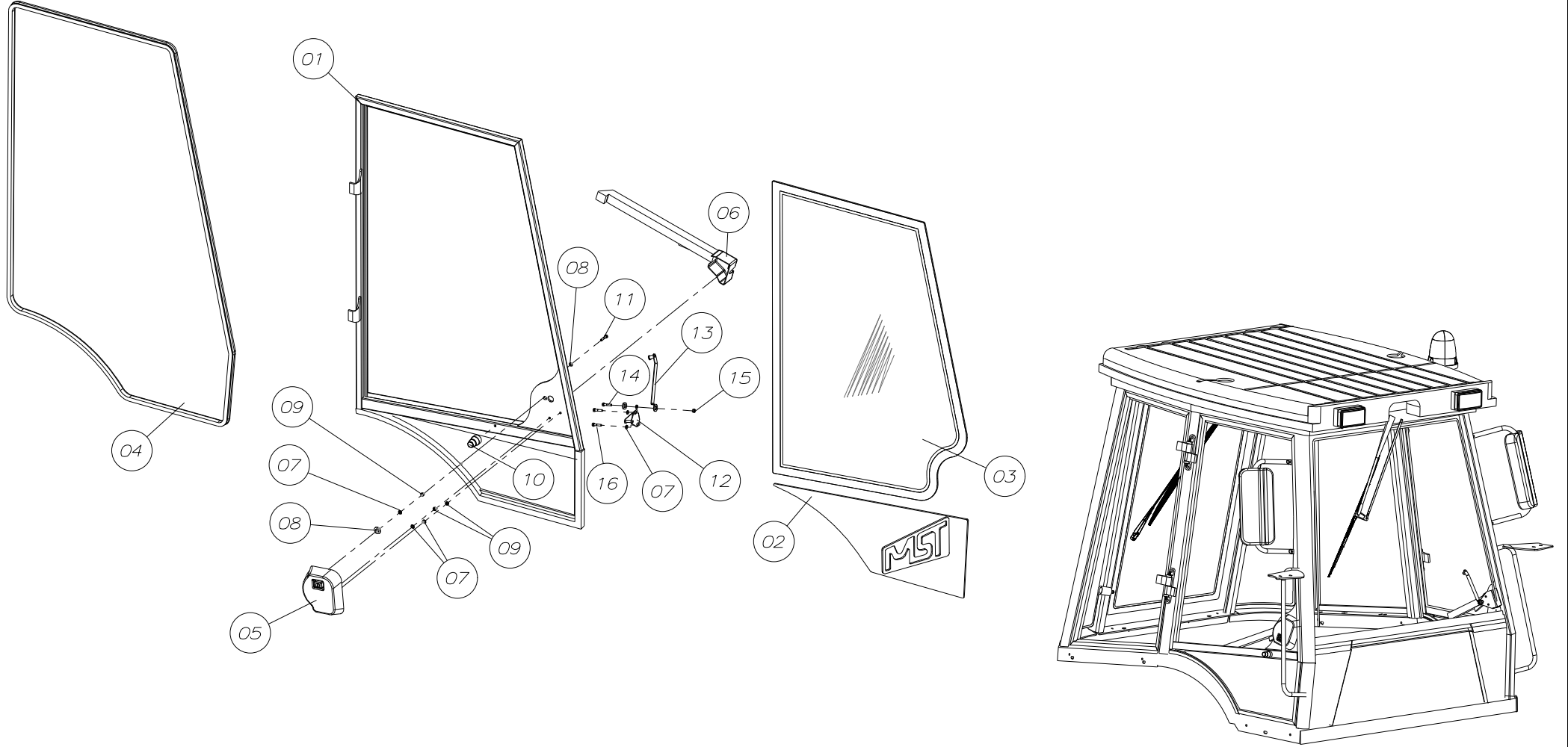


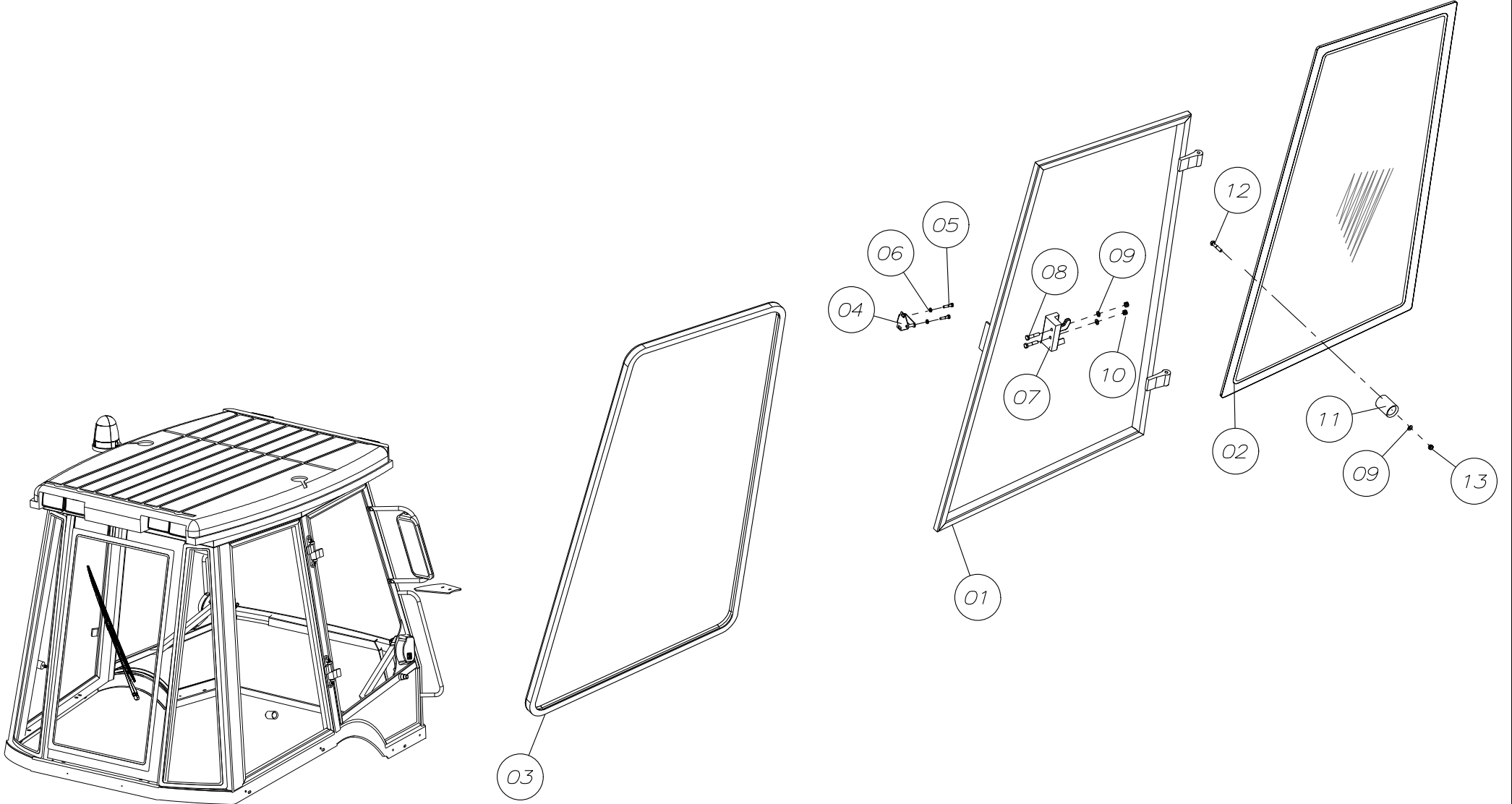




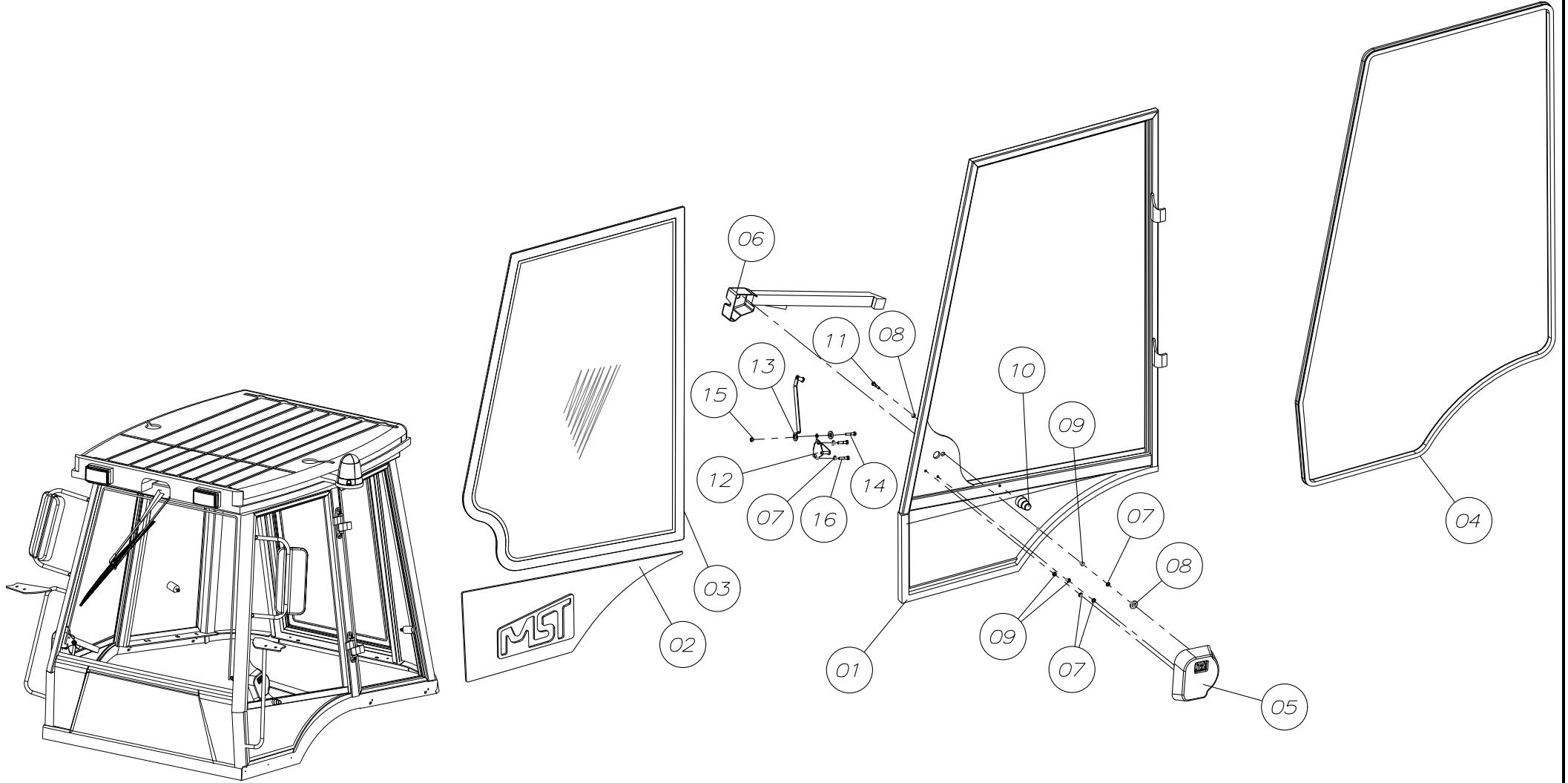
01

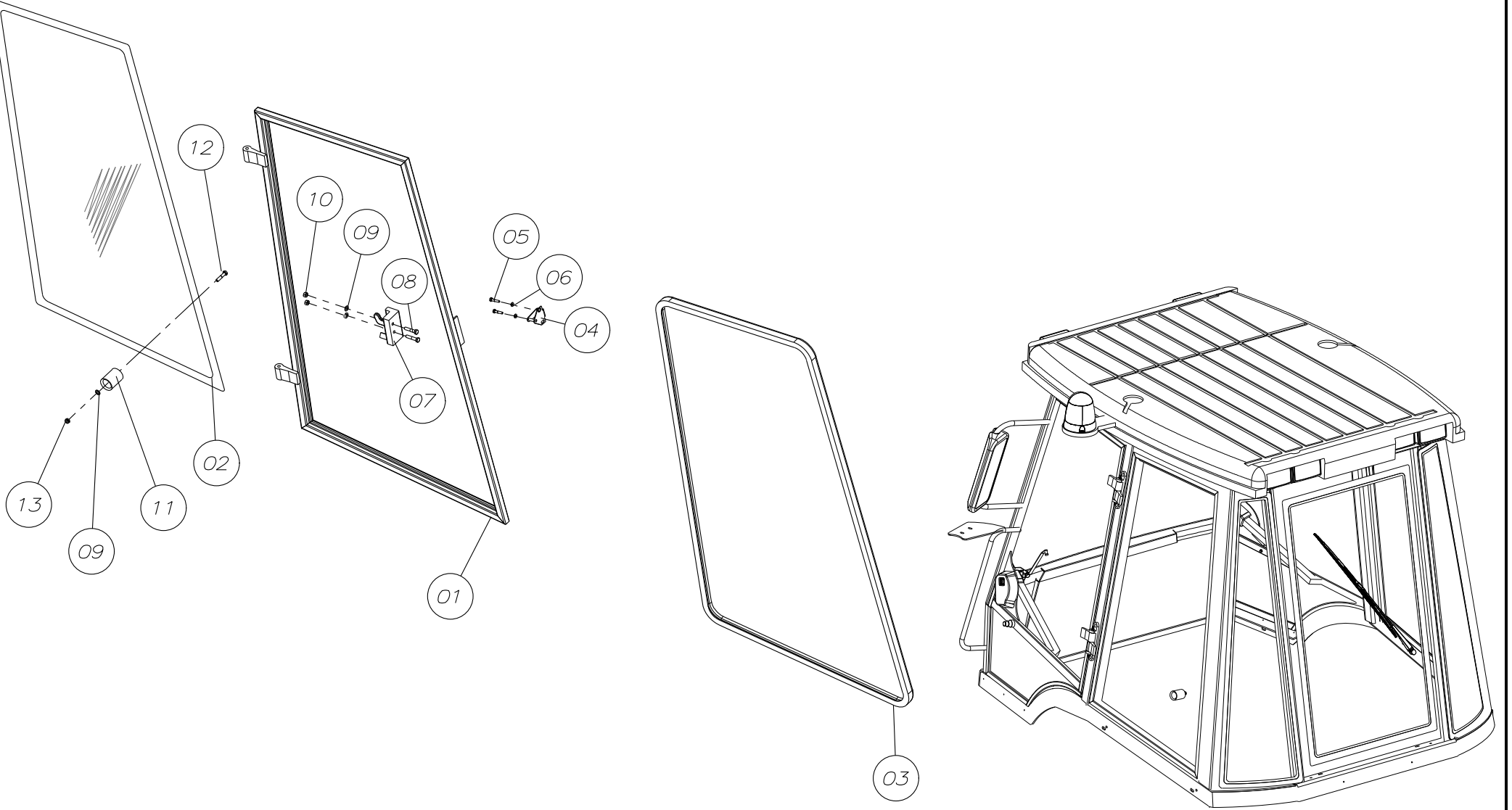


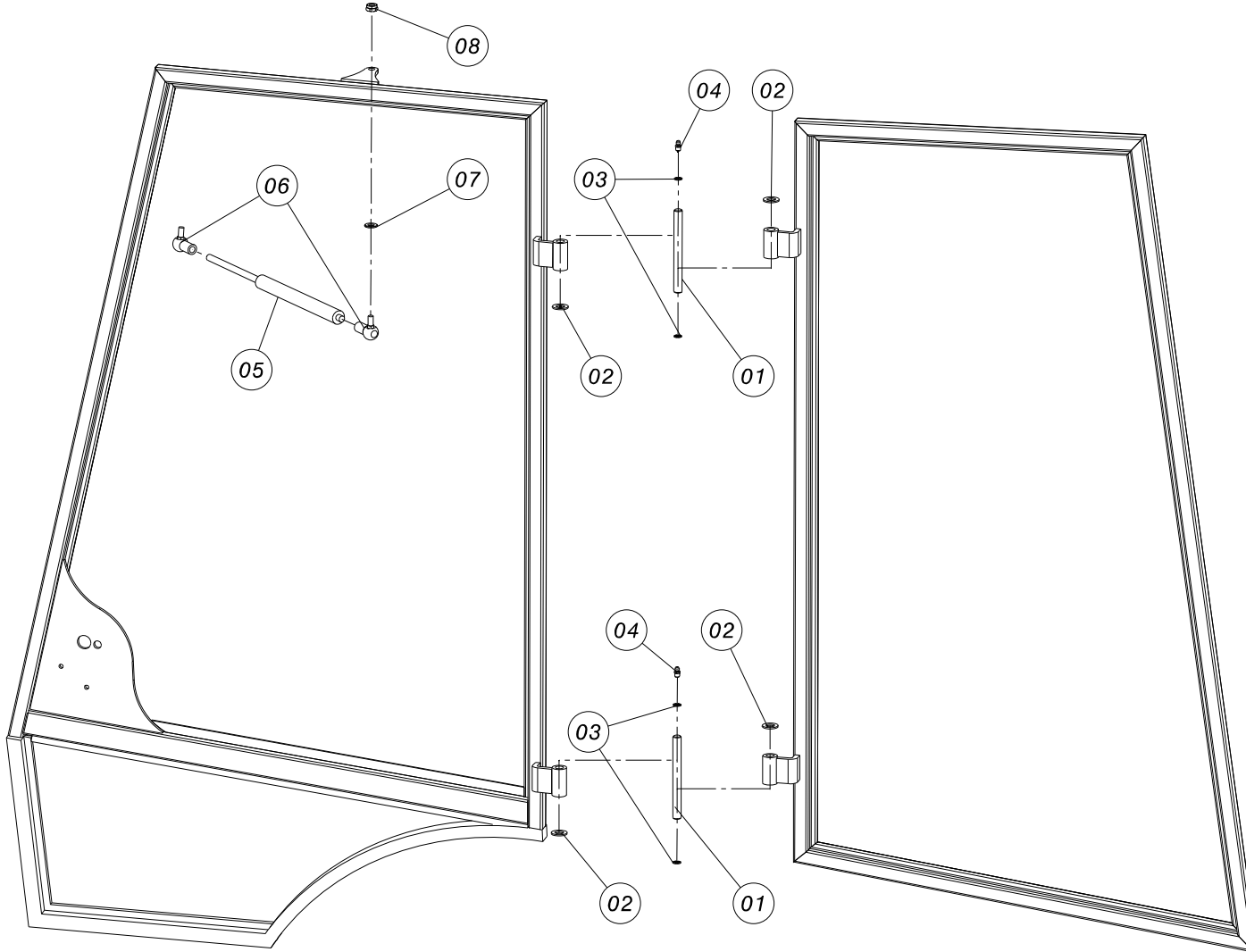


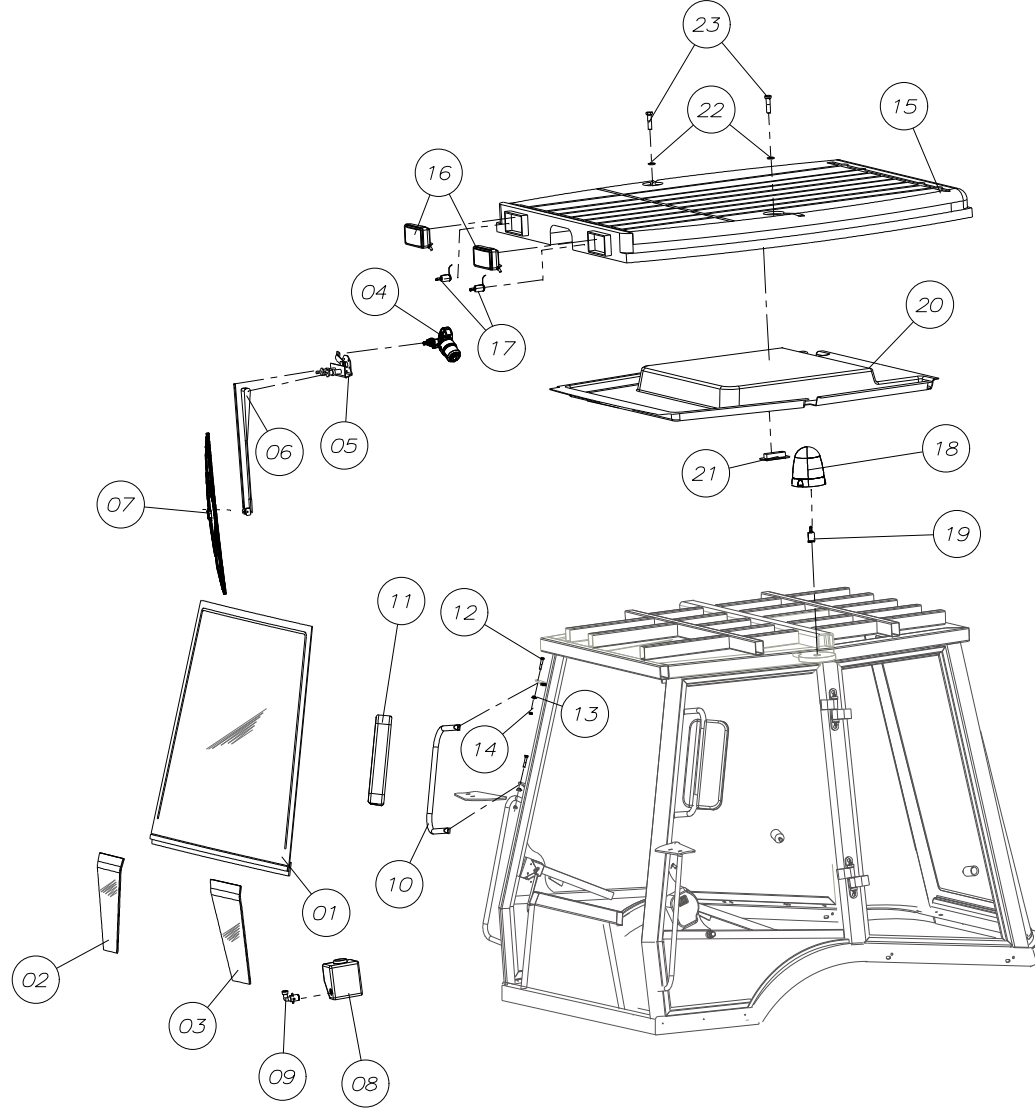


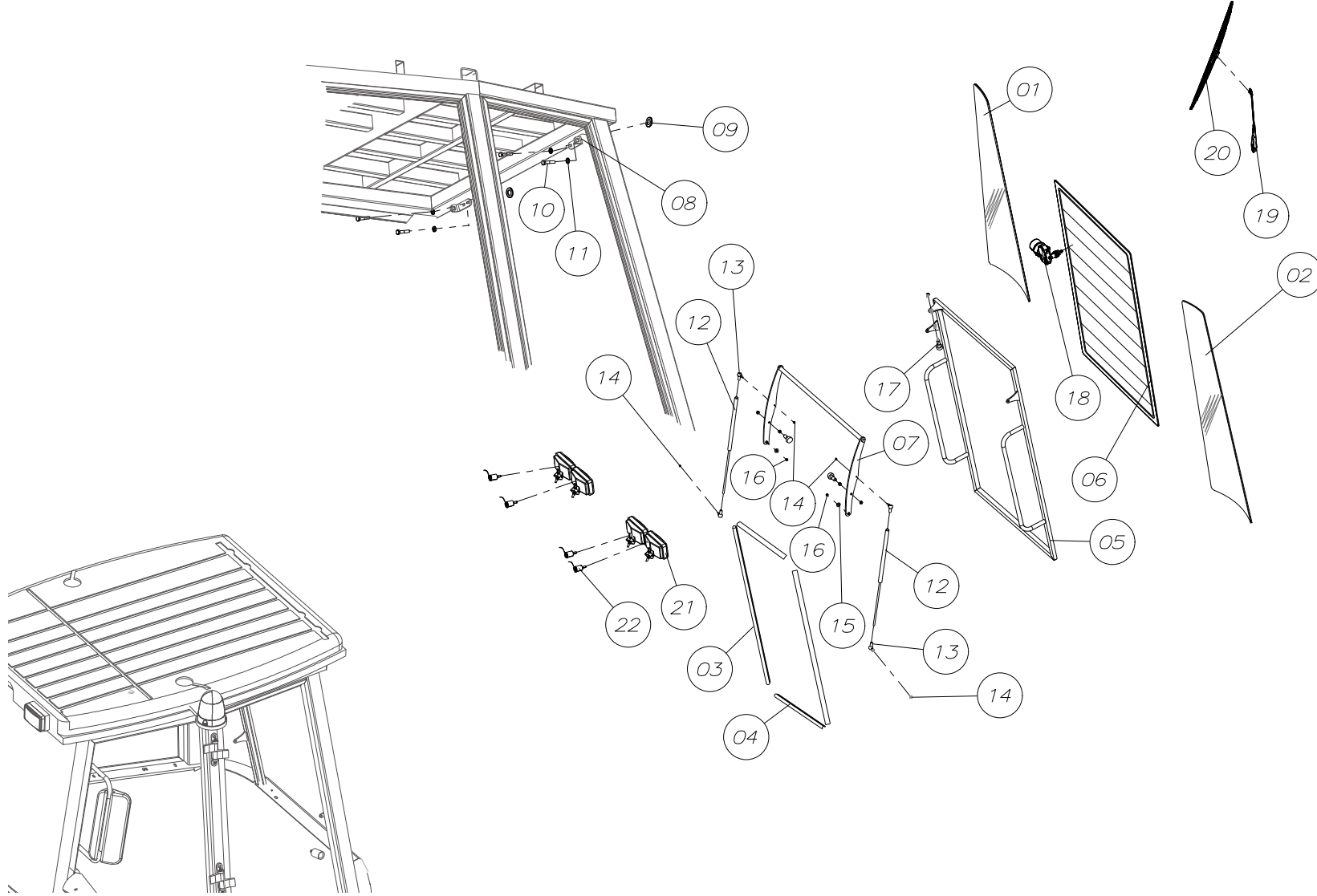
POS	YEDEK PARÇA KODU SPARE PART CODE	REFERANS KODU REFERENCE CODE	PARÇA TANIMI	DESCRIPTION	MİKTAR QTY.	NOT NOTE
1	5421408-A		ÇERÇEVE	FRAME	1	SAĞ PENCERE / RIGHT WINDOW
2	5421410-A		CAM	GLASS	1	SAĞ PENCERE / RIGHT WINDOW
3	5421409		FİTİL	RUBBER PROFİL	1	
4	5421426		KİLİT KARŞILIĞI	LOCK STRIKER	1	
5	54214169		CIVATA	BOLT	2	M6 x 10
6	5421474		PUL	WASHER	2	M6
7	5421407		KİLİT	LOCK	1	SAĞ PENCERE / RIGHT WINDOW
8	54214166		CIVATA	BOLT	2	M8 x 40
9	5421432		PUL	WASHER	3	M8
10	5420622		SOMUN	NUT	2	M8 FİBERLİ
11	5421414		LASTİK, PENCERE KAPI SABİTLEME	RUBBER, WINDOW FIXING PART	2	
12	5421416		CIVATA	BOLT	1	M8 x 30
13	5421313		SOMUN	NUT	1	M8



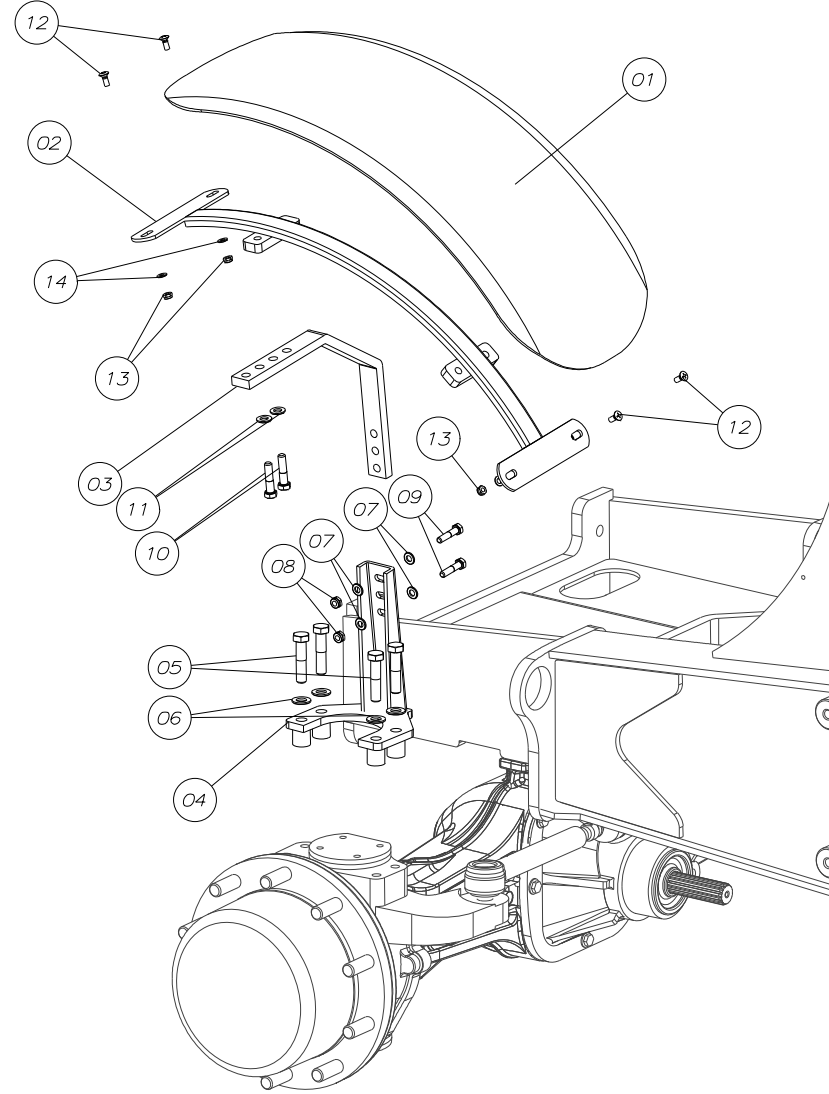


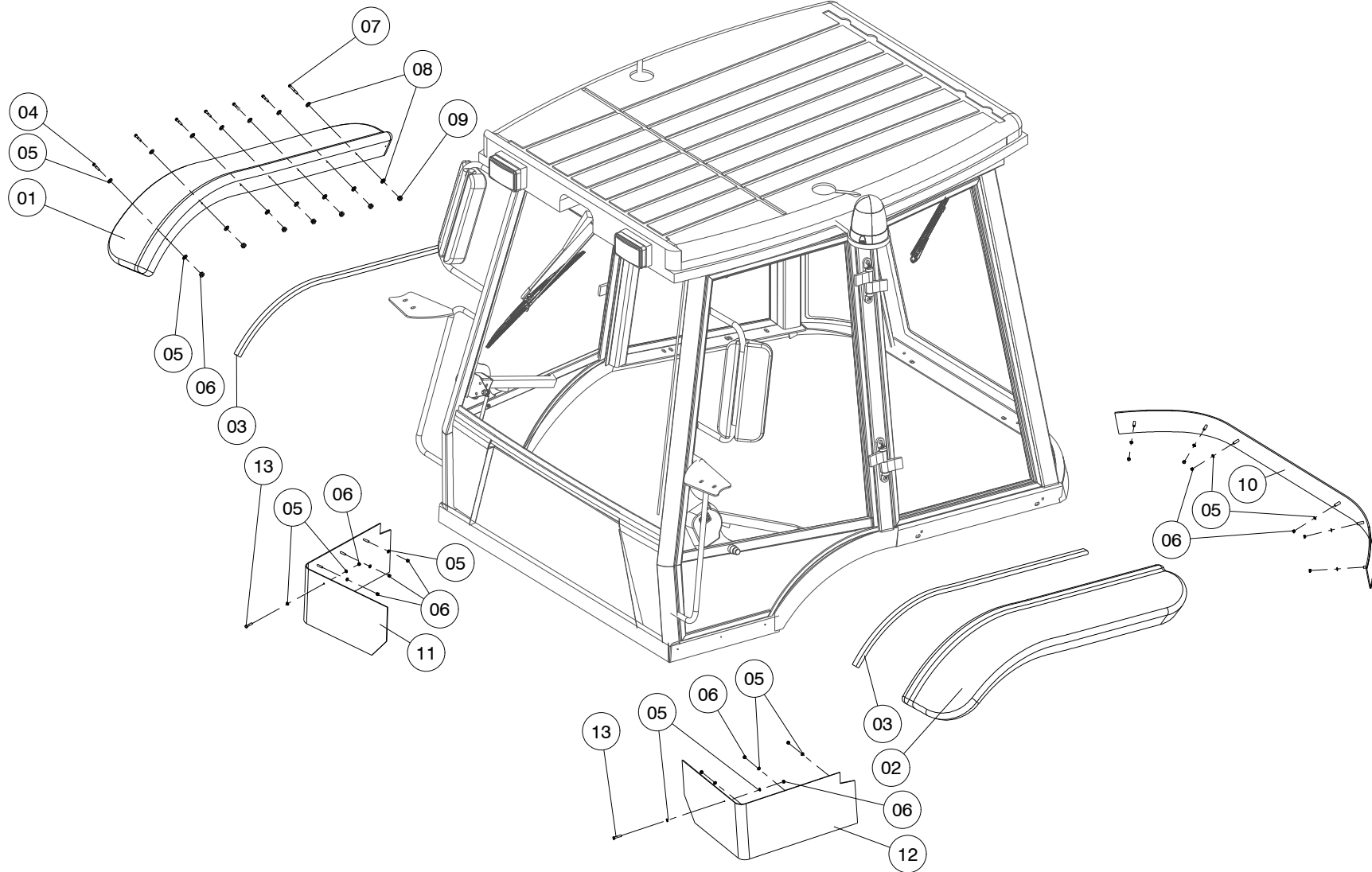




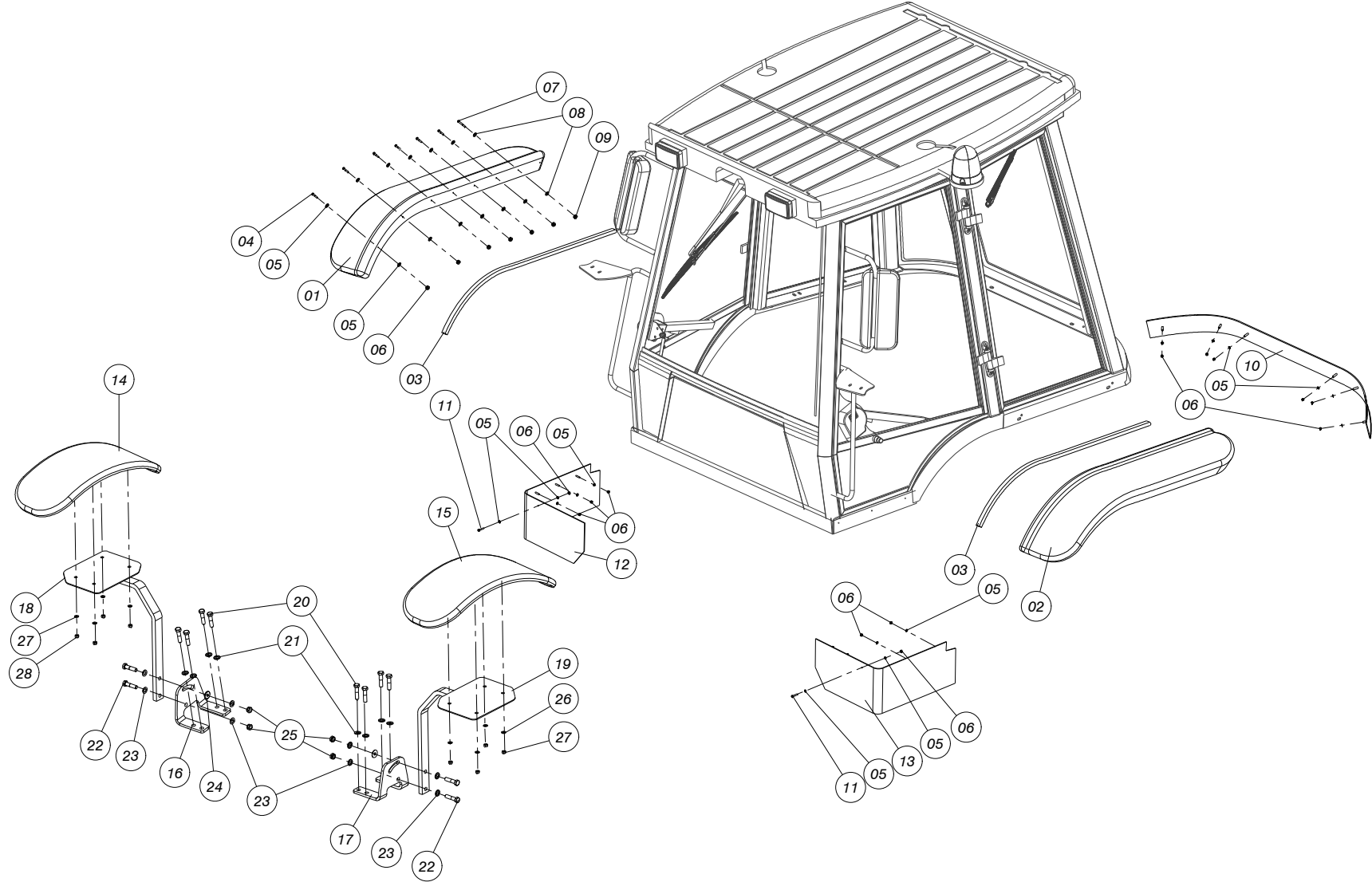


ÖN ÇAMURLUK MONTAJI / FRONT FENDER MOUNTING (20" M542)



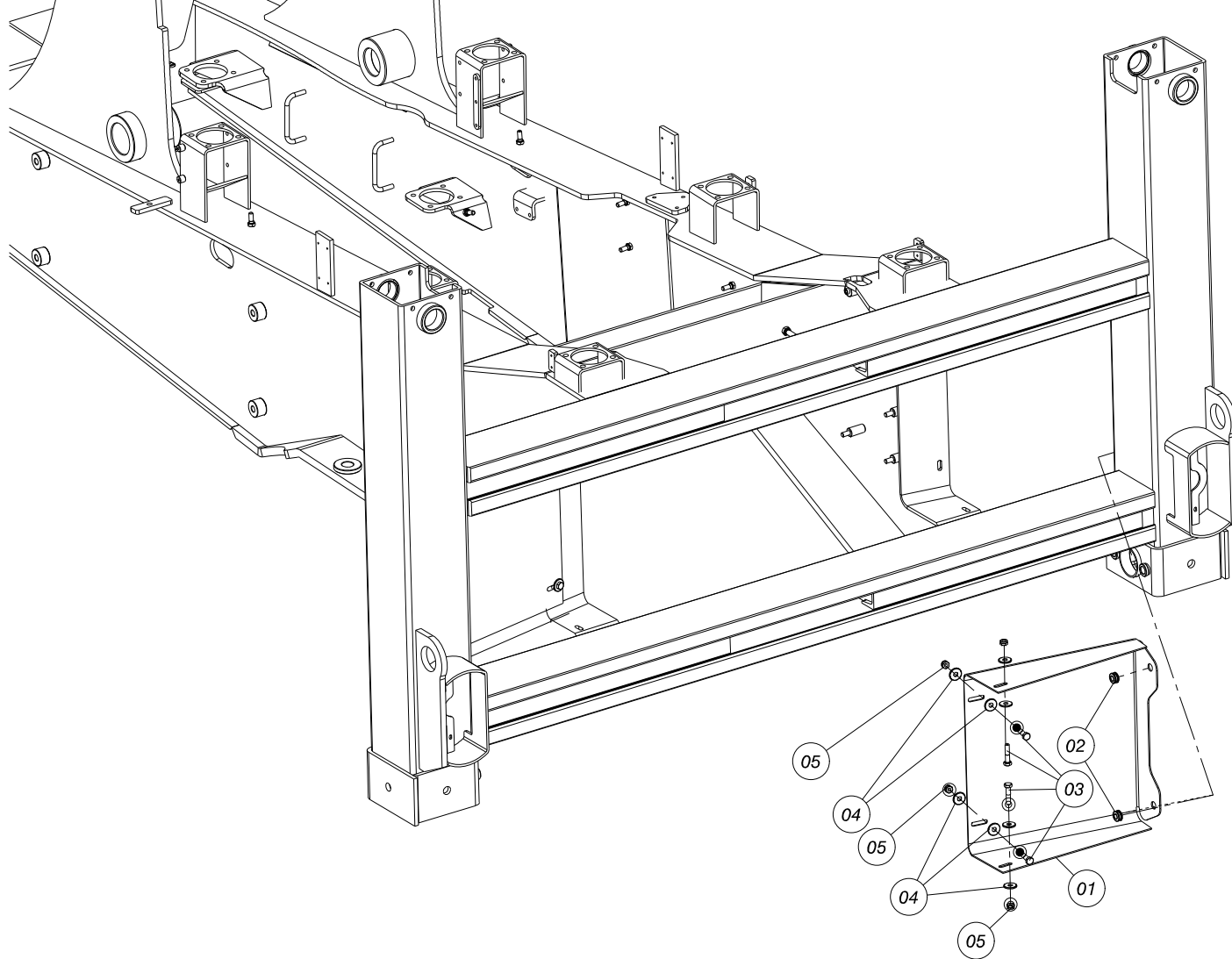


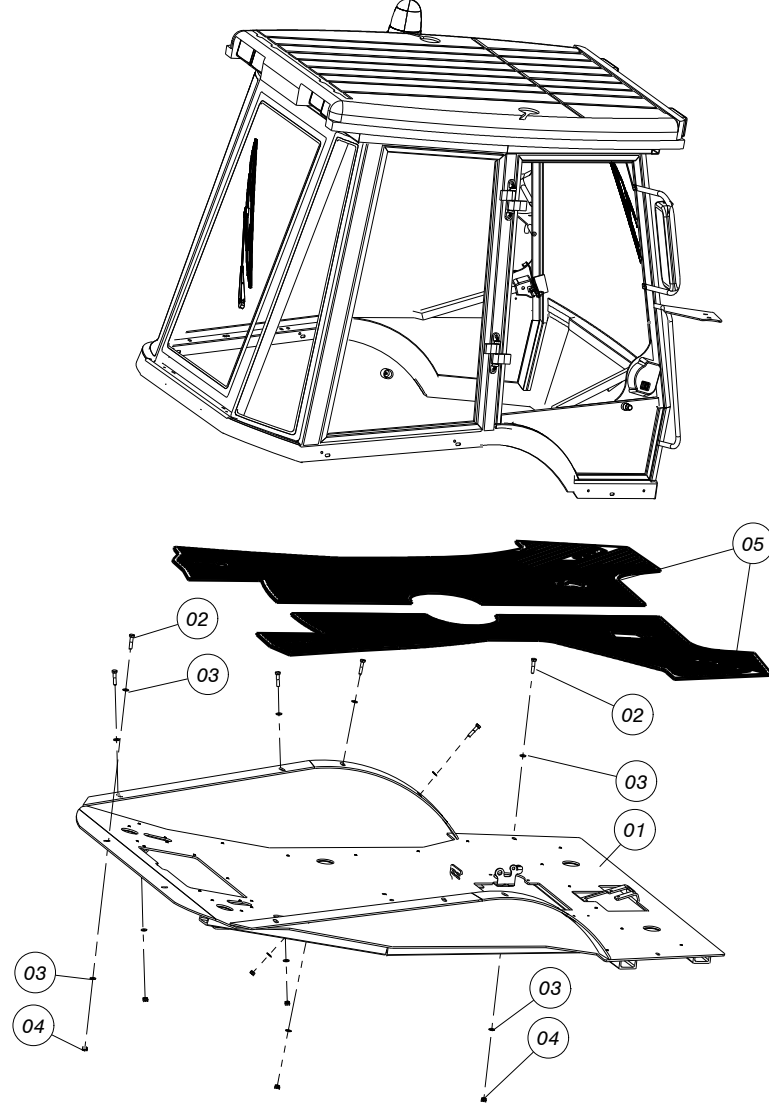
**ÖN – ARKA ÇAMURLUK & TEKMELİK MONTAJI /
FRONT – REAR FENDER & GUARD MOUNTING (M544)**



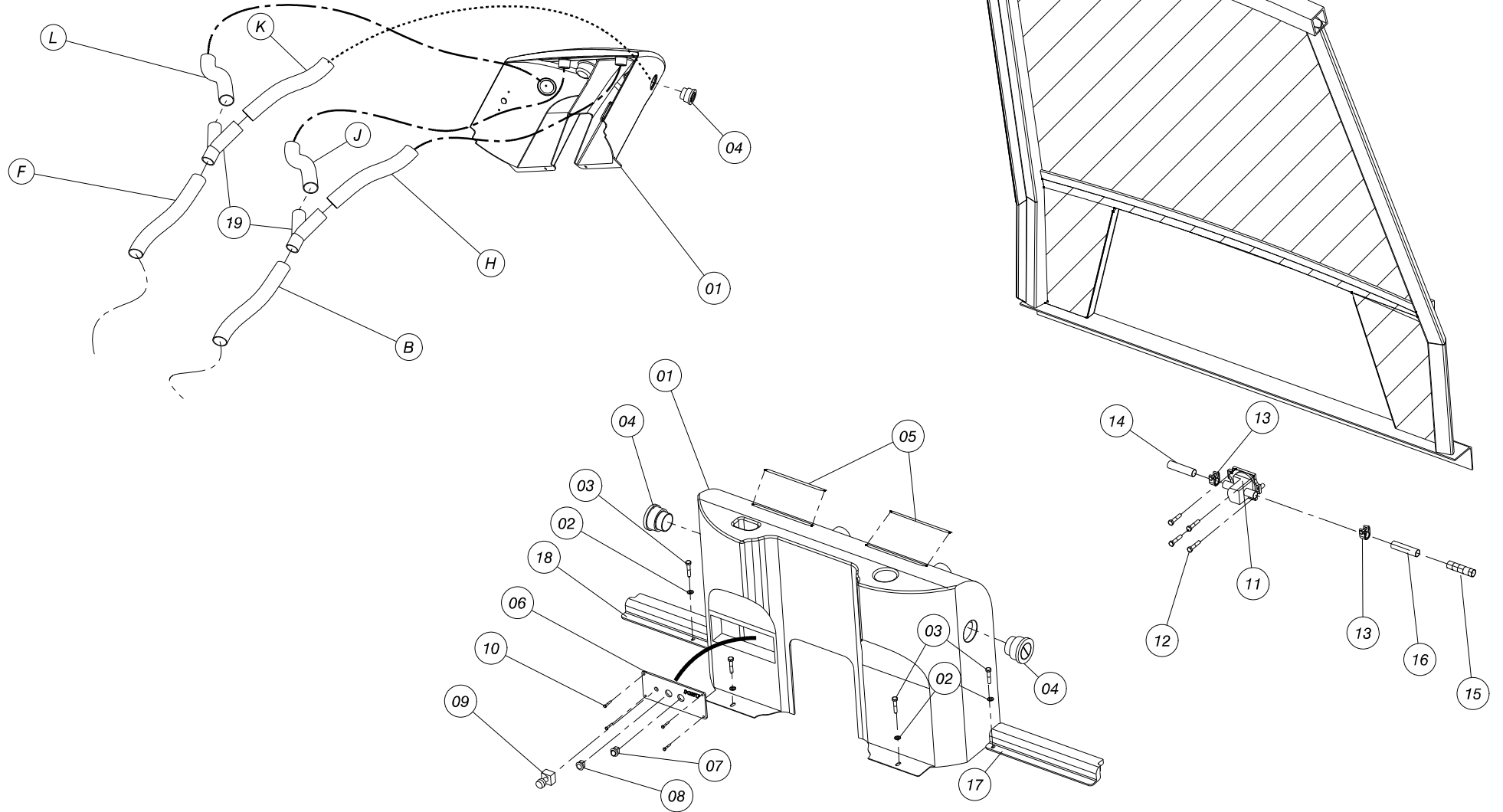
ÖN – ARKA ÇAMURLUK & TEKMELİK MONTAJI /
FRONT – REAR FENDER & GUARD MOUNTING (M544)

POS	YEDEK PARÇA KODU SPARE PART CODE	REFERANS KODU REFERENCE CODE	PARÇA TANIMI	DESCRIPTION	MİKTAR QTY.	NOT NOTE
1	5421469-A		ÇAMURLUK, ARKA, SAĞ	FENDER, REAR, RIGHT	1	
2	5421469-B		ÇAMURLUK, ARKA, SOL	FENDER, REAR, LEFT	1	
3	54214220		FİTİL	RUBBER	1	
4	54214232		CIVATA	BOLT	2	M6 x 25
5	54214155		PUL	WASHER	20	¼"
6	5421475		SOMUN	NUT	16	M6, FİBERLİ
7	5420923		CIVATA	BOLT	12	M10 x 35
8	5423403		PUL	WASHER	24	⅜" DÜZ, KALIN
9	5423429		SOMUN	NUT	12	M10 FİBERLİ
10	5421480		KAPAK, ARKA	COVER, REAR	1	
11	5421477		CIVATA	BOLT	2	M6 x 20
12	5421476-A		TEKMELİK, ÖN – SAĞ	GUARD, FRONT, RIGHT	1	
13	5421476-B		TEKMELİK, ÖN – SOL	GUARD, FRONT, LEFT	1	
14	5441458-A		ÇAMURLUK, ÖN, SAĞ	FENDER, FRONT, RIGHT	1	M544 makinalarda kullanıldı / Used in M544 machines
15	5441458-B		ÇAMURLUK, ÖN, SOL	FENDER, FRONT, LEFT	1	M544 makinalarda kullanıldı / Used in M544 machines
16	5441461-A		PLAKA - DİNGİL BAĞLANTI PARÇASI	BRACKET	1	SAĞ / RIGHT, M544 makinalarda kullanıldı / Used in M544 machines
17	5441461-B		PLAKA - DİNGİL BAĞLANTI PARÇASI	BRACKET	1	SOL / LEFT, M544 makinalarda kullanıldı / Used in M544 machines
18	5441465-A		ÖN ÇAMURLUK BAĞLANTI PLAKASI	BRACKET	1	SAĞ / RIGHT, M544 makinalarda kullanıldı / Used in M544 machines
19	5441465-B		ÖN ÇAMURLUK BAĞLANTI PLAKASI	BRACKET	1	SOL / LEFT, M544 makinalarda kullanıldı / Used in M544 machines
20	54201125		CIVATA	BOLT	8	M16 x 40
21	5420905		PUL	WASHER	8	⅝", YAYLI
22	5421462		CIVATA	BOLT	4	M16 x 60
23	5420905		PUL	WASHER	8	⅝", YAYLI
24	5420906		PUL	WASHER	2	⅝", DÜZ (t=3 mm)
25	5420120		SOMUN	NUT	4	M16, FİBERLİ
26	5423793		PUL	WASHER	8	5/16" DÜZ
27	5420622		SOMUN	NUT	8	M8, FİBERLİ



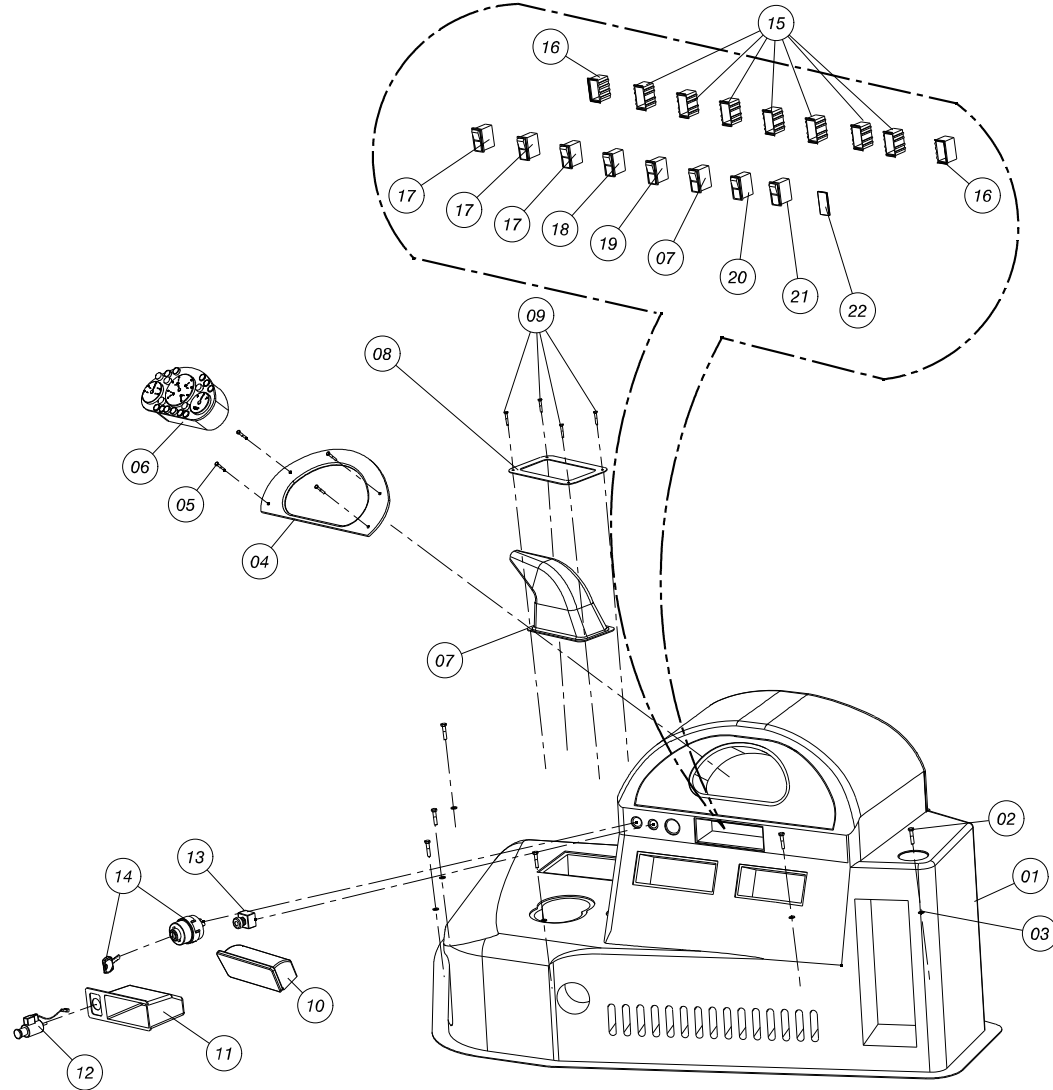


**ÖN KONSOL & KALORİFER VANASI MONTAJI /
FRONT CONSOL & HEATER WATER VALVE MOUNTING**

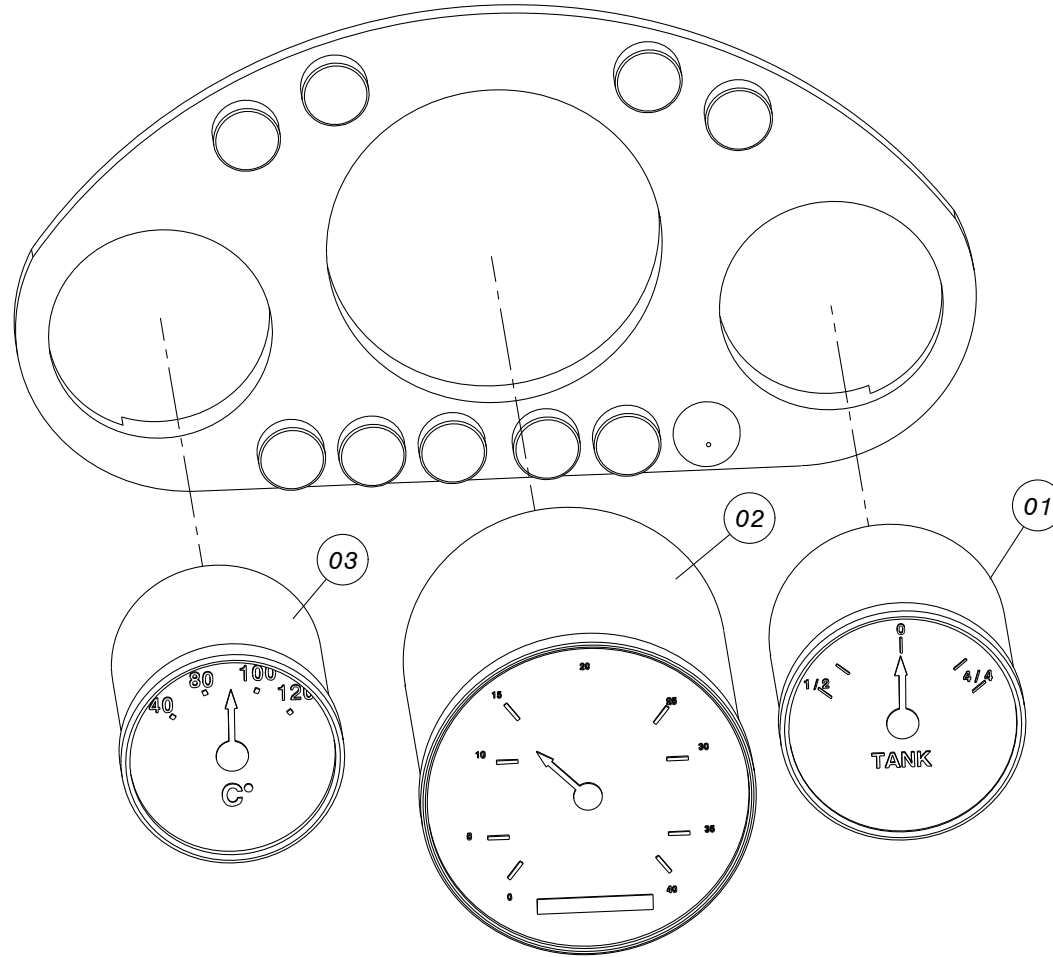


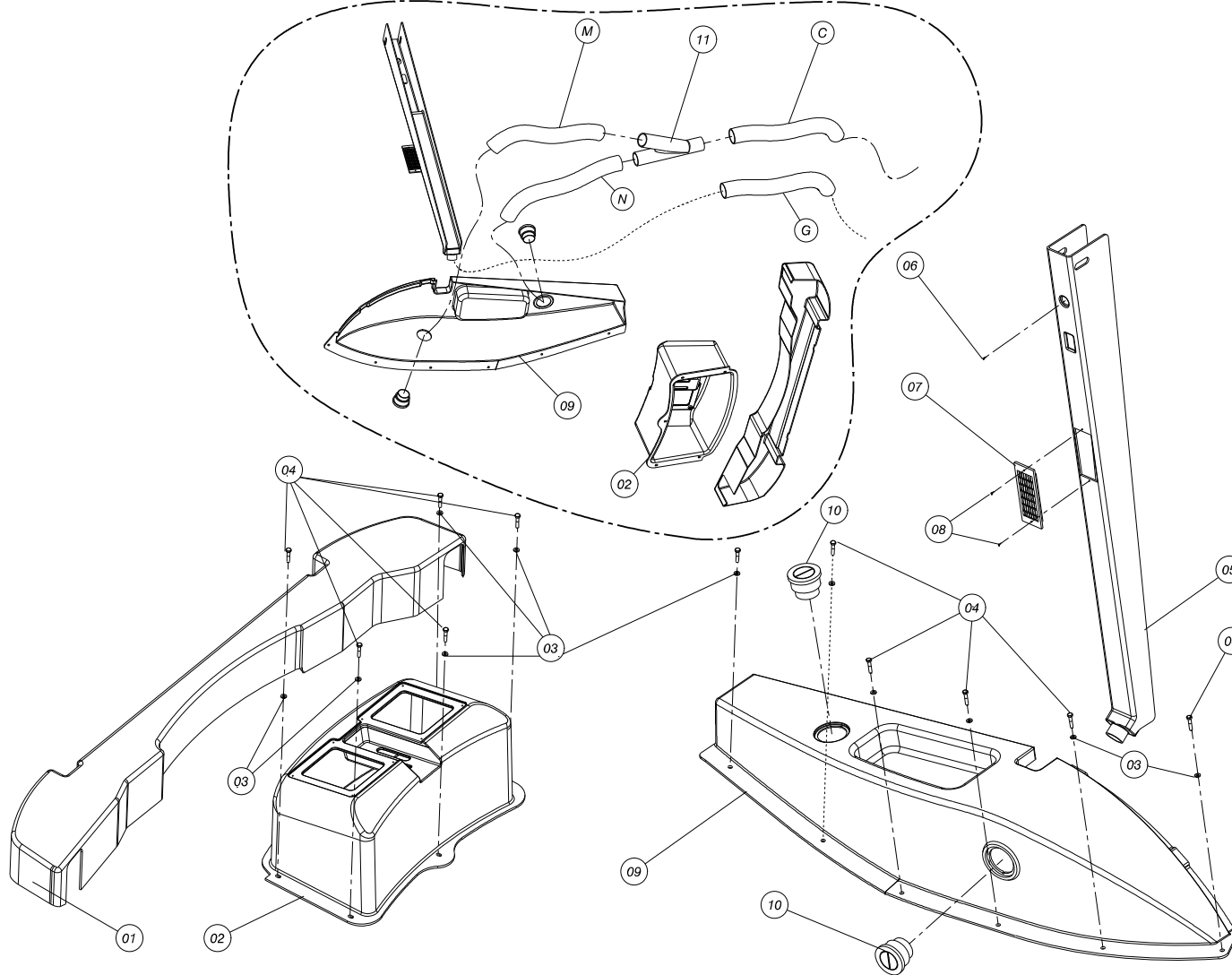
**ÖN KONSOL & KALORİFER VANASI MONTAJI /
FRONT CONSOL & HEATER WATER VALVE MOUNTING**

POS	YEDEK PARÇA KODU SPARE PART CODE	REFERANS KODU REFERENCE CODE	PARÇA TANIMI	DESCRIPTION	MİKTAR QTY.	NOT NOTE
1	54214279		KONSOL	CONSOL	1	ÖN / FRONT
2	54214155		PUL	WASHER	8	¼"
3	5421477		CIVATA	BOLT	8	M6 x 20
4	5424323		ÜFLEÇ	NOZZLE	2	
5	54243115		ÜFLEÇ	NOZZLE	2	ÖN CAM BUĞU ÖNLEYİCİ
6	5423230		PLAKA, KONTROL PANELİ	PLATE, CONTROL PANEL	1	
7	5423233		ANAHTAR	SWITCH	1	KALORİFER AÇMA – KAPAMA (HOT – SICAK)
8	5423234		TAPA	PLUG	1	PLASTİK
9	5423231		SEÇİM DÜĞMESİ	SELECTOR	1	KALORİFER FAN KADEMESİ, 0 – 1 – 2 – 3
10	54214136		CIVATA	BOLT	4	M4x16, İNBUS, SYHGLV ISO7380-10.9
11		7645572	VANA	WATER VALVE	1	ELEKTRİKLİ
12	54214204		VİDA	SCREW	4	4.8 x 19
13	5428123		KELEPÇE	CLAMP	2	SUPRA W2 23 - 25
14	54243111		HORTUM	HOSE	1	Ø16 x Ø24 x 2750, 5/8" TERMO SU TS 8507 TIP B 16 MM (KABİN ÖN KONSOL İÇİ ELEKTRİKLİ VANA – KALORİFER ARASI)
15	5424340		SİRİRAL	SPIRAL	1	400 mm
16	54243110		HORTUM	HOSE	1	Ø16 x Ø24 x 3150, 5/8" TERMO SU TS 8507 TIP B 16 MM (MOTOR ÜZERİ MUSLUK - KABİN ÖN KONSOL İÇİ ELEKTRİKLİ VANA ARASI)
17	54214183A		KAPAK	COVER	1	SAĞ / RIGHT
18	54214183B		KAPAK	COVER	1	SOL / LEFT
19	54214280		ÇATAL	YOKE	2	ÖN KONSOL ÜFLECİNE
B	54243121		HORTUM	HOSE	1	KRAFT Ø50 x Ø55 x 3500 (KABİN ÖN KONSOL CAM ÜFLECİNE)
F	54243125		HORTUM	HOSE	1	KRAFT Ø50 x Ø55 x 3500 (KABİN ÖN KONSOL YAN ÜFLECİNE)
H	54243127		HORTUM	HOSE	1	KRAFT Ø50 x Ø55 x 450 (KABİN ÖN KONSOL CAM ÜFLECİNE)
J	54243128		HORTUM	HOSE	1	KRAFT Ø50 x Ø55 x 400 (KABİN ÖN KONSOL CAM ÜFLECİNE)
K	54243129		HORTUM	HOSE	1	KRAFT Ø50 x Ø55 x 550 (KABİN ÖN KONSOL YAN ÜFLECİNE)
L	54243130		HORTUM	HOSE	1	KRAFT Ø50 x Ø55 x 450 (KABİN ÖN KONSOL ÜFLECİNE)



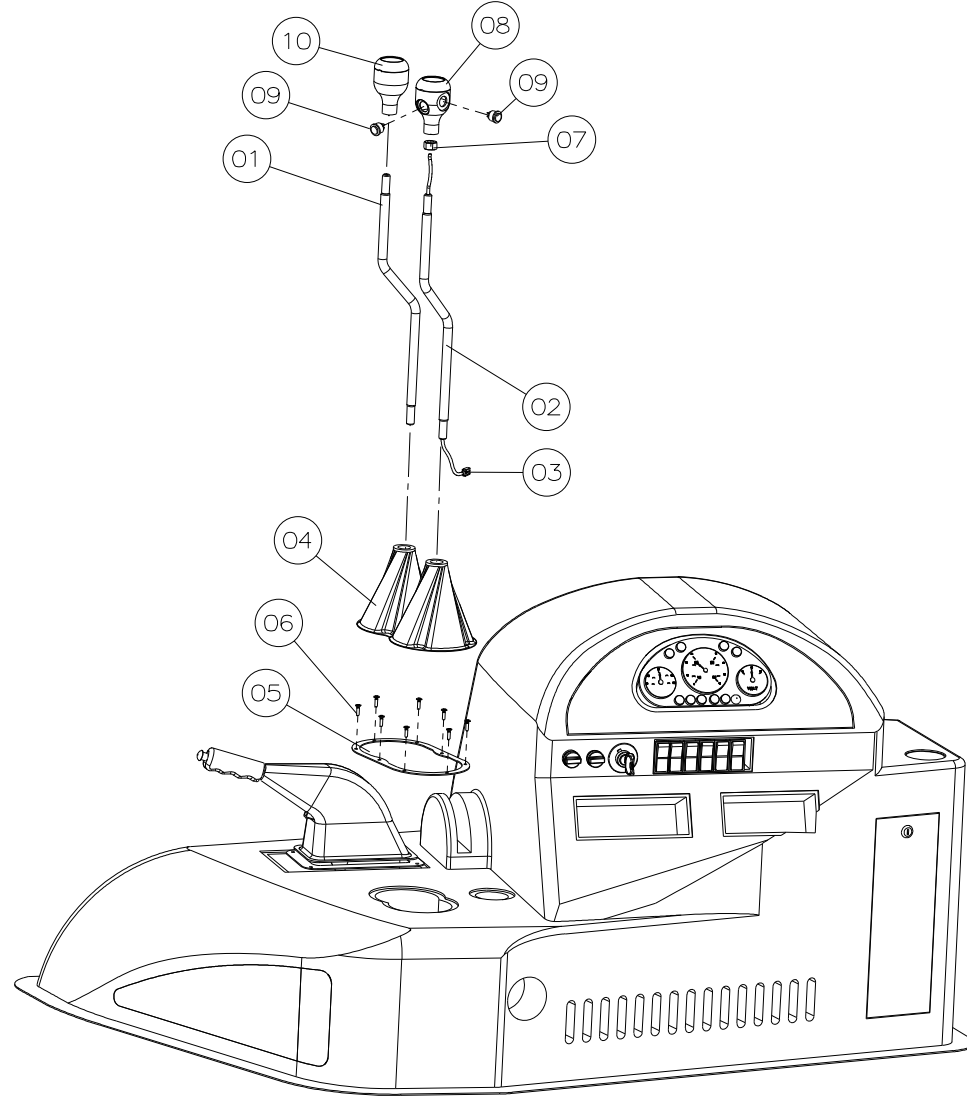
POS	YEDEK PARÇA KODU SPARE PART CODE	REFERANS KODU REFERENCE CODE	PARÇA TANIMI	DESCRIPTION	MİKTAR QTY.	NOT NOTE
1	54214173		KONSOL	CONSOL	1	SAĞ YAN / RIGHT SIDE
2	5421477		CIVATA	BOLT	6	M6 x 20
3	54214155		PUL	WASHER	6	¼" KALIN
4	5423211		ÇERÇEVE, GÖSTERGE SAAT	FRAME	1	
5	54214204		CIVATA	BOLT	4	4,8 x 19
6	54232106		GÖSTERGE SAATI KOMPLESİ, YAN	MULTIFUNCTIONAL PANEL, SIDE	1	M542 makinalarda kullanıldı / Used in M542 machines
7	54214137		KÖRÜK, EL FRENİ	BELLOWS	1	
8	54214130		BAĞLANTI ÇERÇEVESİ	FRAME	1	EL FREN KÖRÜĞÜ
9	54214233		CIVATA	BOLT	8	M4 x 20
10	54214201		KÜLLÜK	ASHTRAY	1	
11	54214202		ELDİVEN KUTUSU	GLOVE BOX	1	
12	54214203		ÇAKMAK	LIGHTER	1	
13	5423206		SEÇİM DÜĞMESİ, 4x4 – 4x2	SELECTOR, 4WD/2WD	1	
14	5423205		KONTAK ANAHTARI	KEY IGNITION SWITCH	1	
15	5423272		ANAHTAR YUVASI	ONE-WAY CENTRAL FRAME	7	ORTA
16	5423271		ANAHTAR YUVASI	ONE-WAY HEAD FRAME	2	YAN
17	5423273		ANAHTAR	ROCKER SWITCH	5	KEPÇE SEVİYE, REZİSTANS, UNLOADER, TEPE LAMBASI, KAZICI SIKTIRMA
18	5423274		ANAHTAR	ROCKER SWITCH	1	PARK LAMBASI
19	5423275		ANAHTAR	ROCKER SWITCH	1	PROJEKTÖR
20	5423276		ANAHTAR	ROCKER SWITCH	1	SİLECEK
21	54232105		TAPA	PLUG	2	

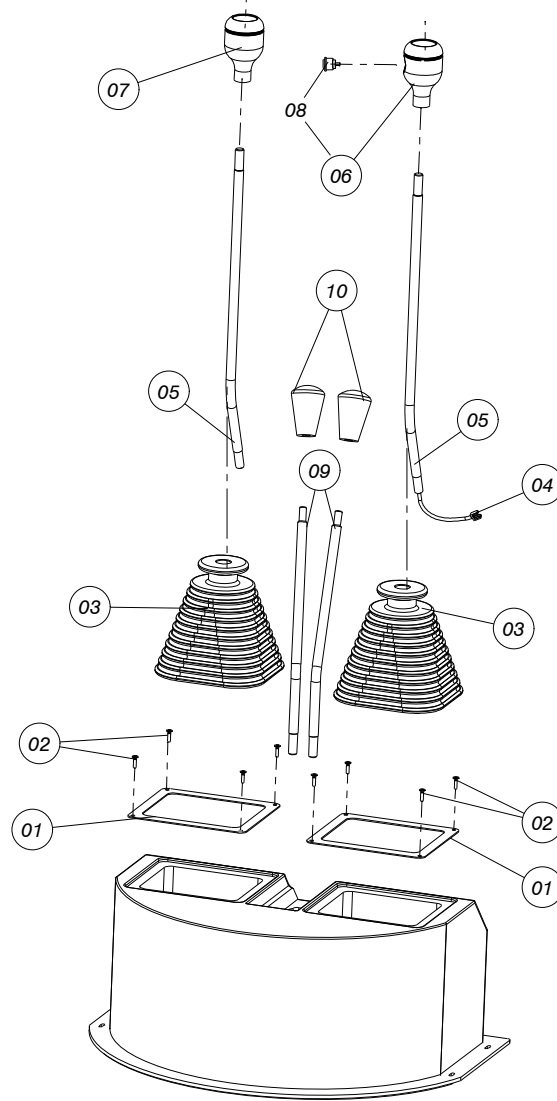


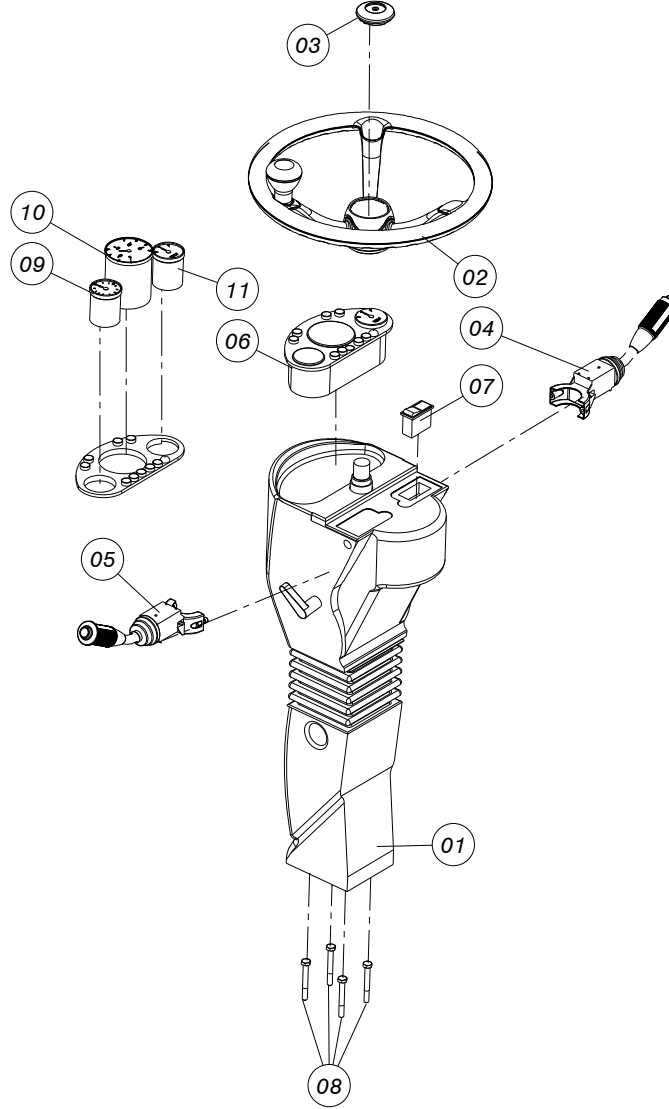


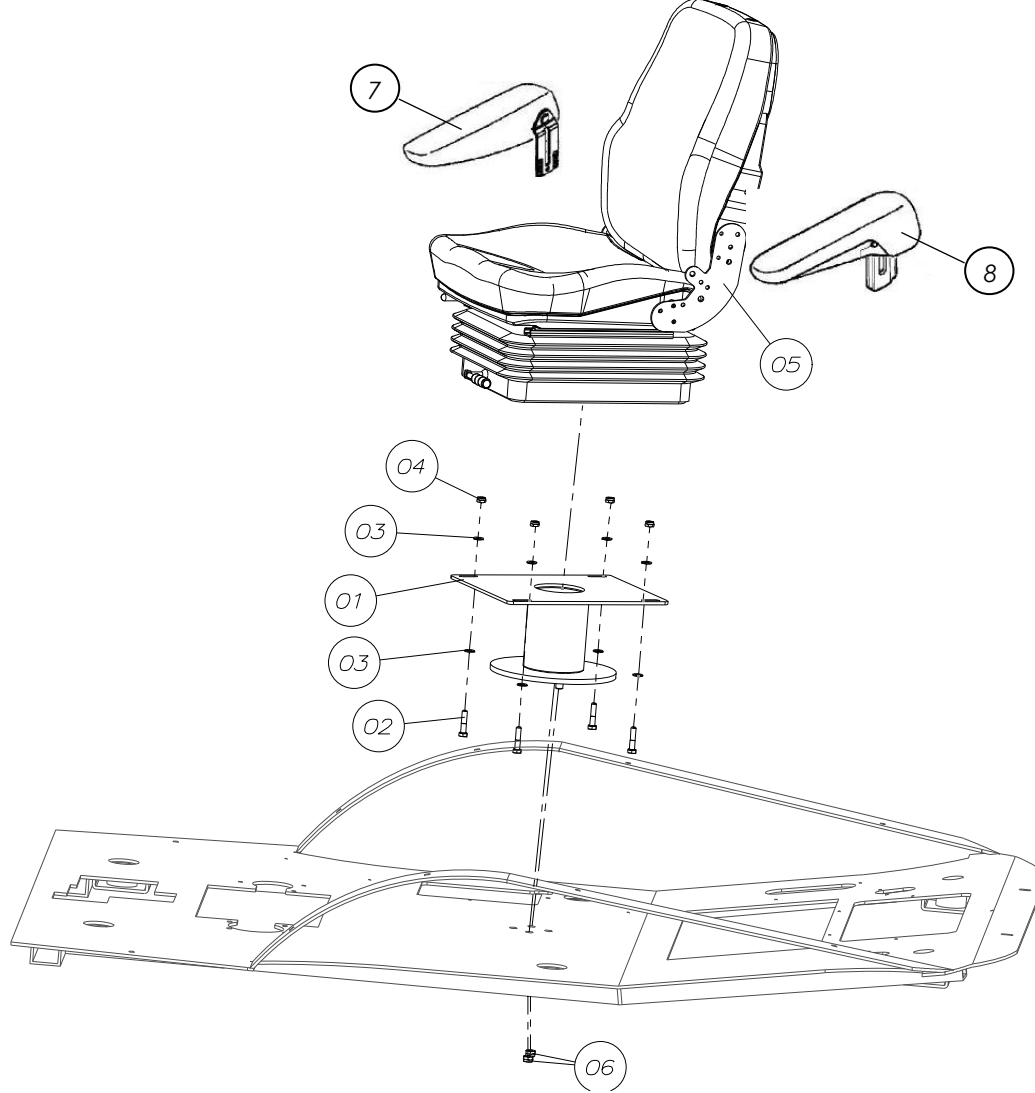
KONSOL ARKA & SOL YAN / CONSOLE REAR & LEFT SIDE

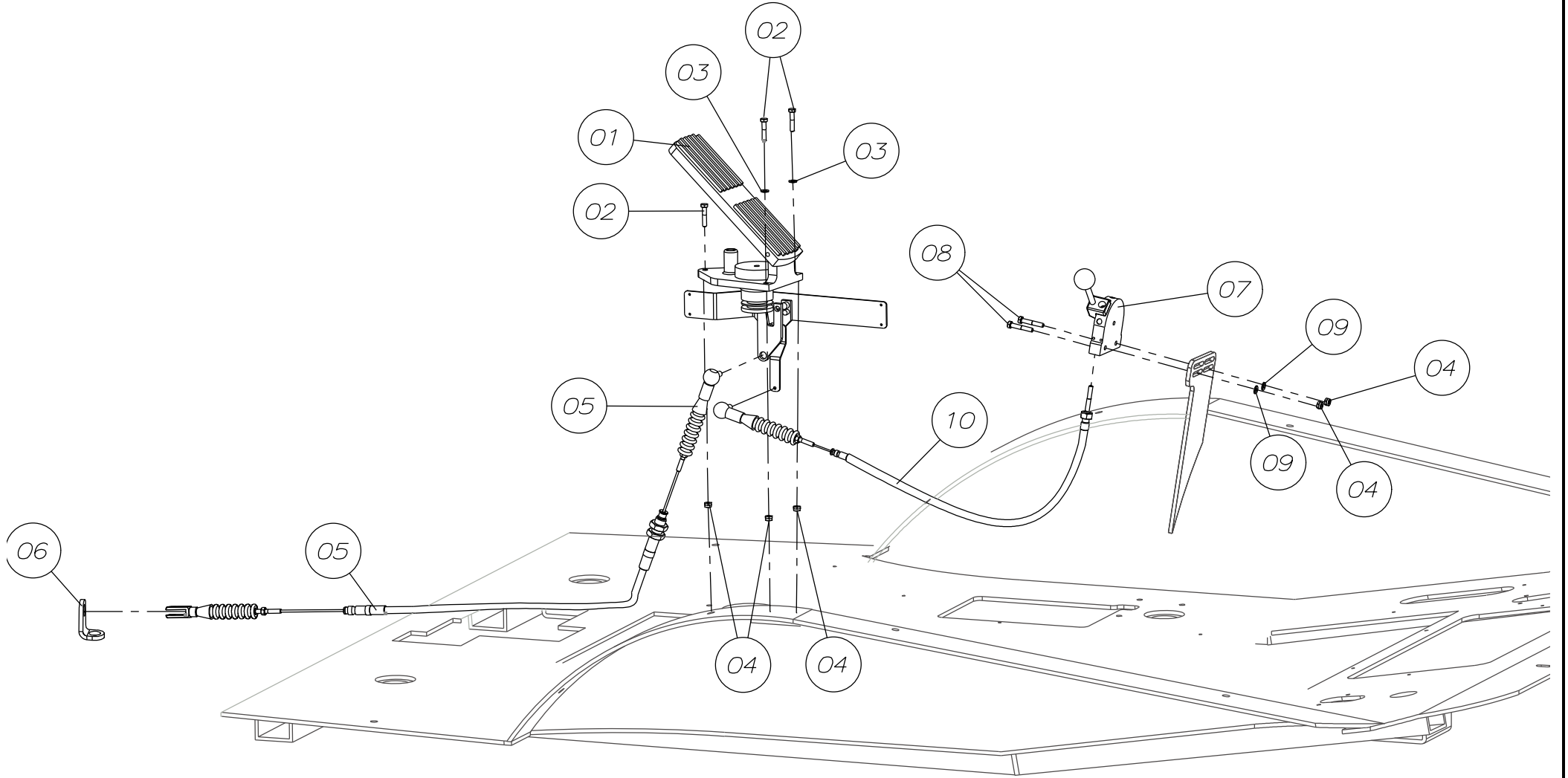
POS	YEDEK PARA KODU SPARE PART CODE	REFERANS KODU REFERENCE CODE	PARA TANIMI	DESCRIPTION	MİKTAR QTY.	NOT NOTE
1	54214276		KONSOL, ARKA	CONSOLE, REAR	1	
2	54214175		KAZICI KUMANDA MUHAFAZA	COVER, BACKHOE CONTROL	1	
3	54214155		PUL	WASHER	11	¼"
4	5421477		CIVATA	BOLT	11	M6 x 20
5	54214277		DİREK	CONSOLE, COLUMN	1	SAĖ / RIGHT
5	54214278		DİREK	CONSOLE, COLUMN	1	SOL / LEFT
6	54214204		VİDA	SCREW	6	4.8 x 19
7	54214283		ÜFLEÇ	NOZZLE	2	
8			VİDA	SCREW	4	
9	54214274		KONSOL, SOL	CONSOLE, LEFT SIDE	1	
10	5424323		ÜFLEÇ	NOZZLE	2	
11	54214282		ATAL	YOKE	1	
C	54243122		HORTUM	HOSE	1	KRAFT Ø50 x Ø55 x 2750 (KABİN SOL YAN KONSOL ATALINA)
G	54243126		HORTUM	HOSE	1	KRAFT Ø50 x Ø55 x 2750 (KABİN SOL DİREK ÜFLECİNE)
M	54243131		HORTUM	HOSE	1	KRAFT Ø50 x Ø55 x 750 (KABİN SOL YAN KONSOL, YAN ÜFLECİ)
N	54243132		HORTUM	HOSE	1	KRAFT Ø50 x Ø55 x 350 (KABİN SOL YAN KONSOL, ÜST ÜFLECİ)

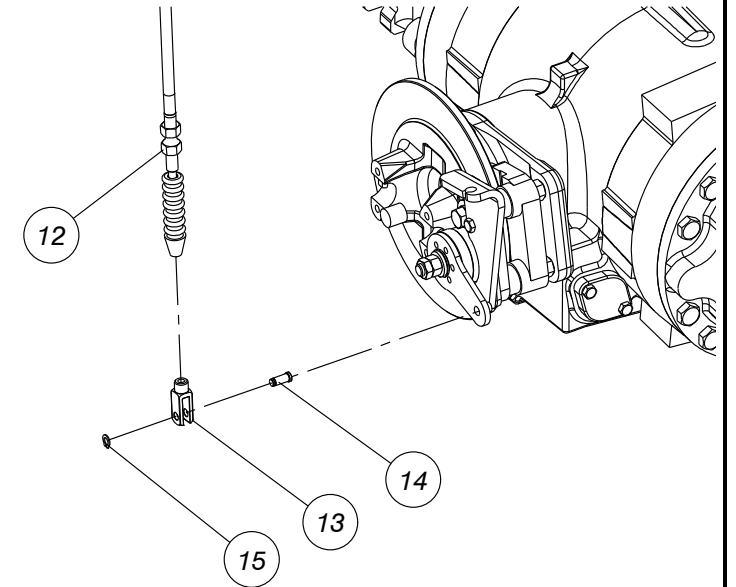
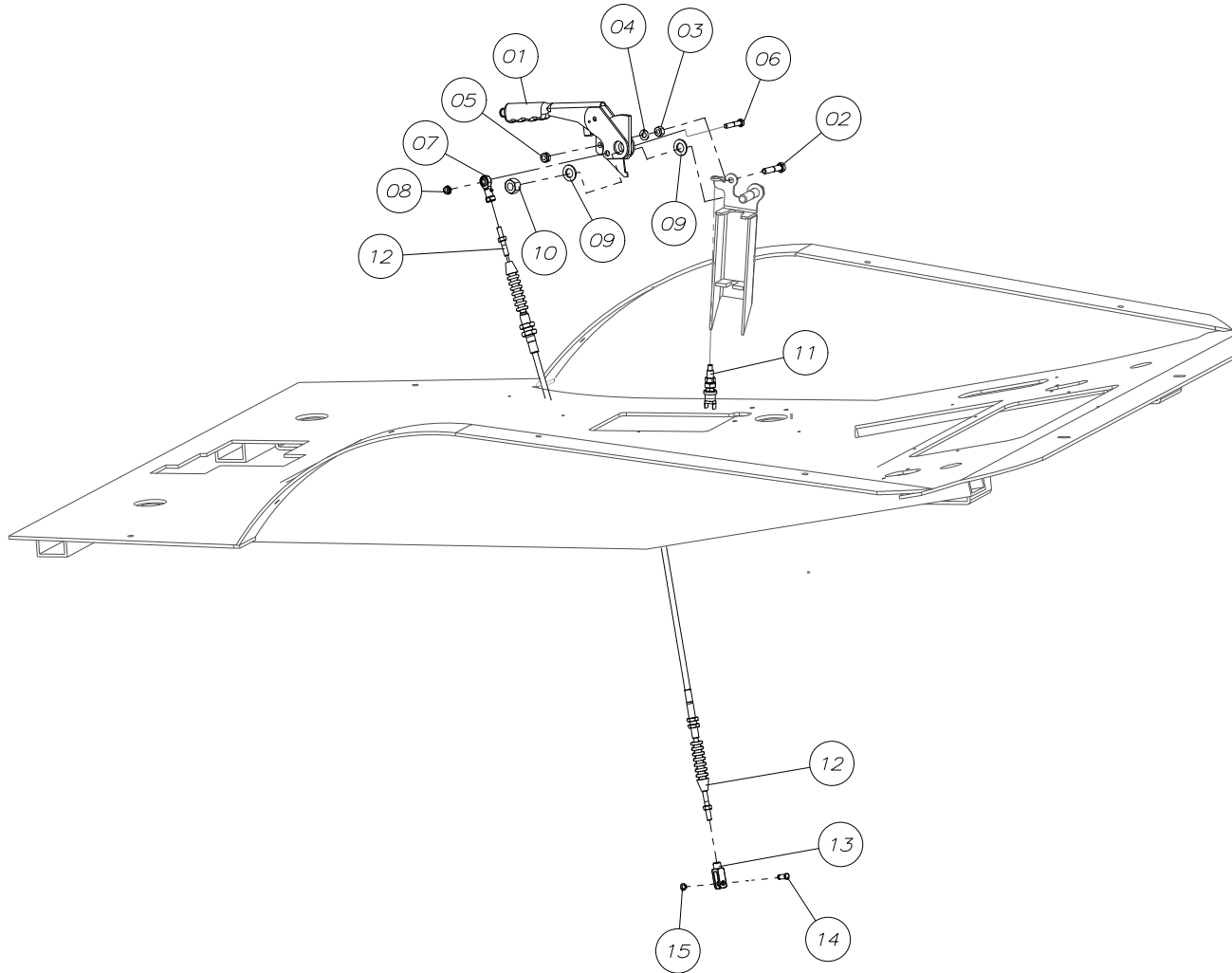






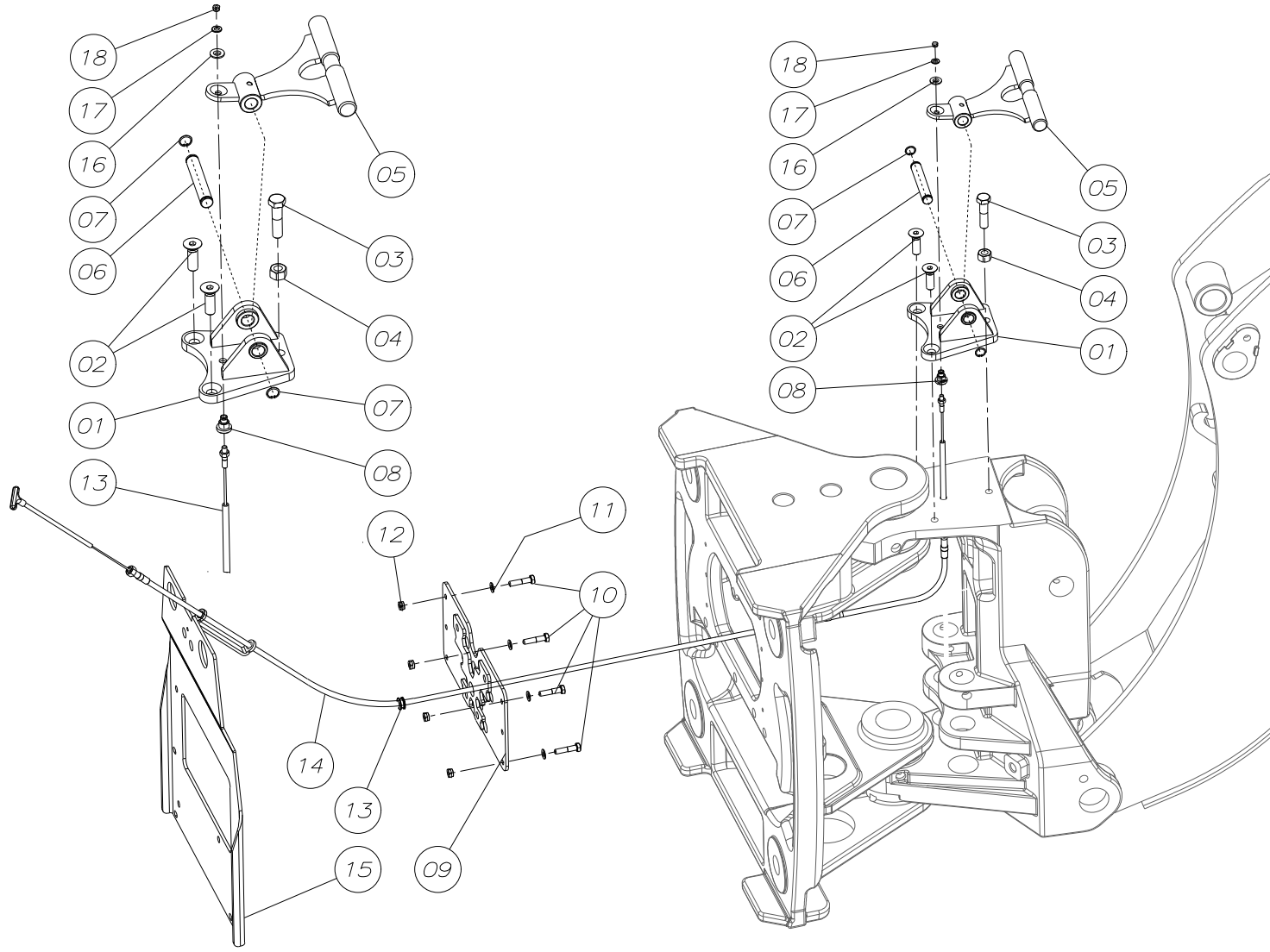






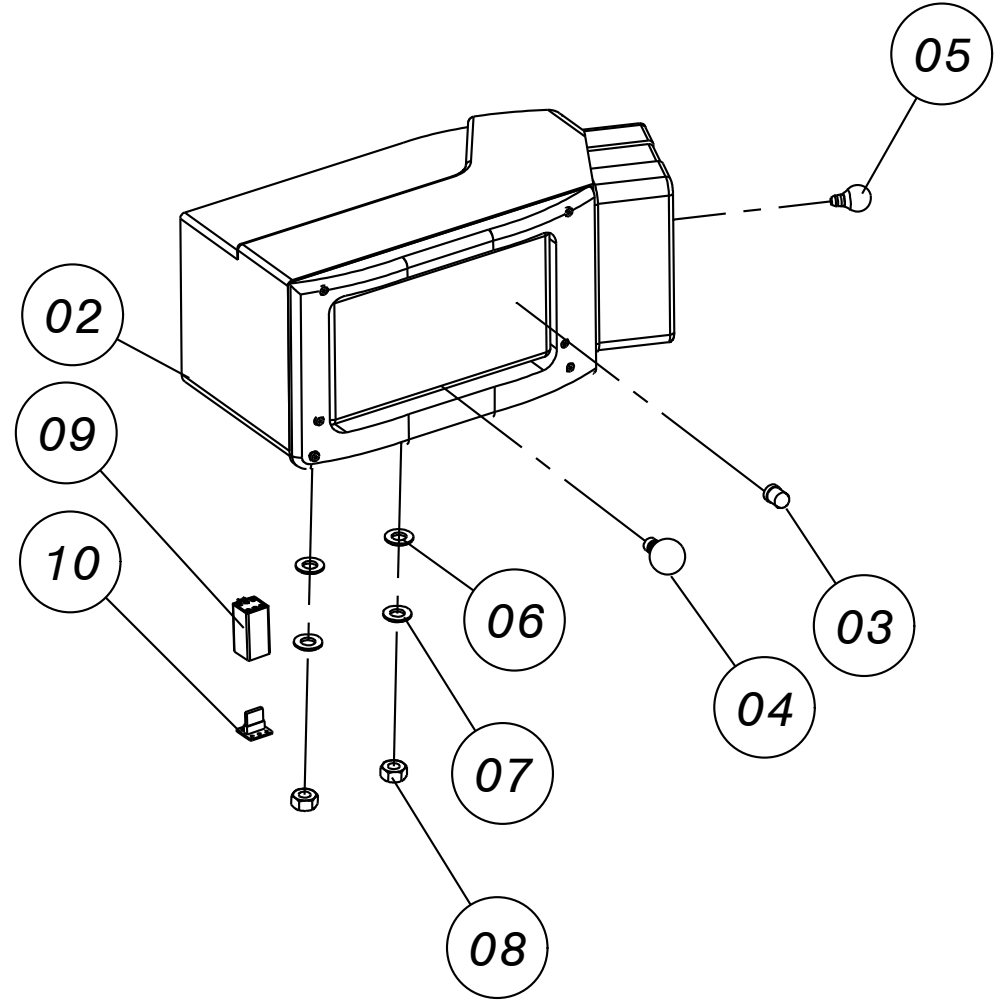
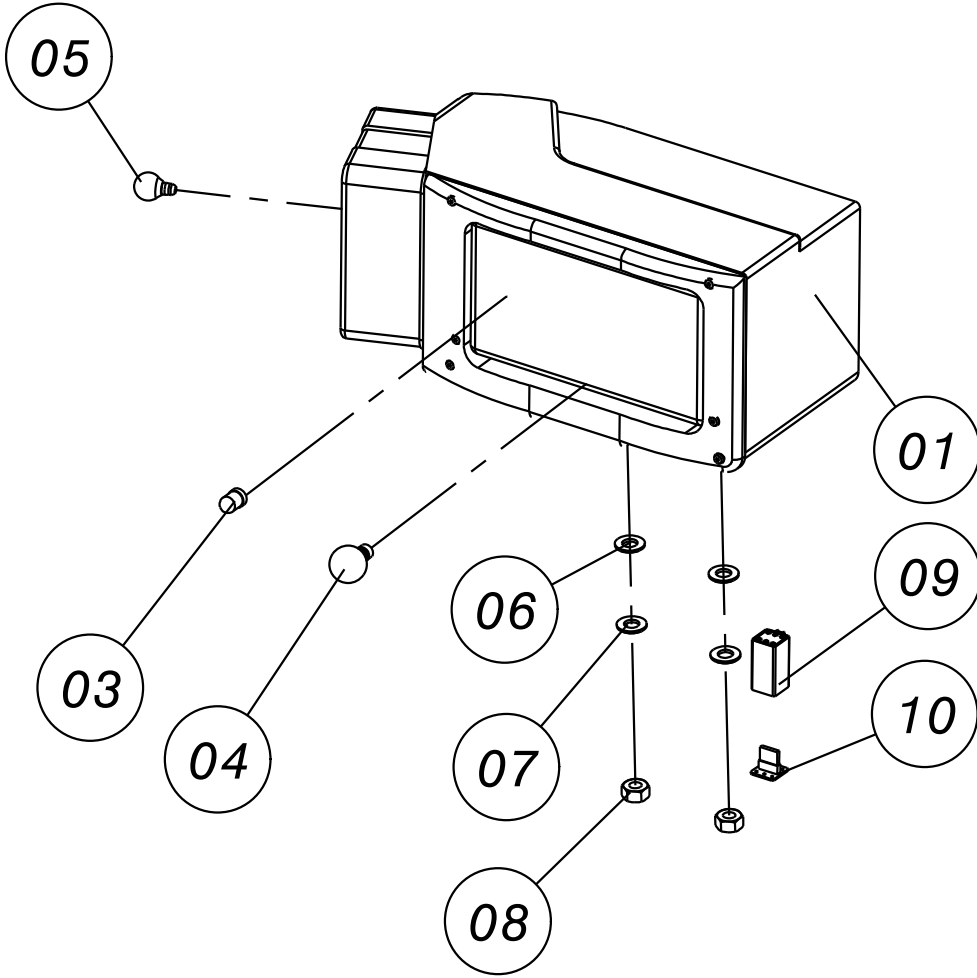
POS	YEDEK PARÇA KODU SPARE PART CODE	REFERANS KODU REFERENCE CODE	PARÇA TANIMI	DESCRIPTION	MİKTAR QTY.	NOT NOTE
1	5421490		EL FRENİ	HAND BRAKE	1	
2	5423405		CIVATA	BOLT	1	M10 x 30
3	5420424		SOMUN	NUT	1	M10
4	5421217		PUL	WASHER	1	M10 YAYLI
5	5423429		SOMUN	NUT	1	M10, FİBERLİ
6	5421416		CIVATA	BOLT	1	M8 x 30
7	5423306		MAFSAL RULMANI	JOINT, PUSH ROD	1	PHS8A
8	5420622		SOMUN	NUT	1	M8 FİBERLİ
9	5421463		PUL	WASHER	2	M16
10	5423356		SOMUN	NUT	1	M16
11	5421491		MÜŞÜR	SWITCH	1	
12	54214180		HALAT, EL FRENİ	WIRE	1	KT-Y 10, 1635 mm
13	5423779		ÇATAL	YOKE	1	M8 x 8
14	5423302		PİM	PIN	3	Ø8 x 22
15	5423303		SEGMAN	CIRCLIP	3	M7 DIN 6799

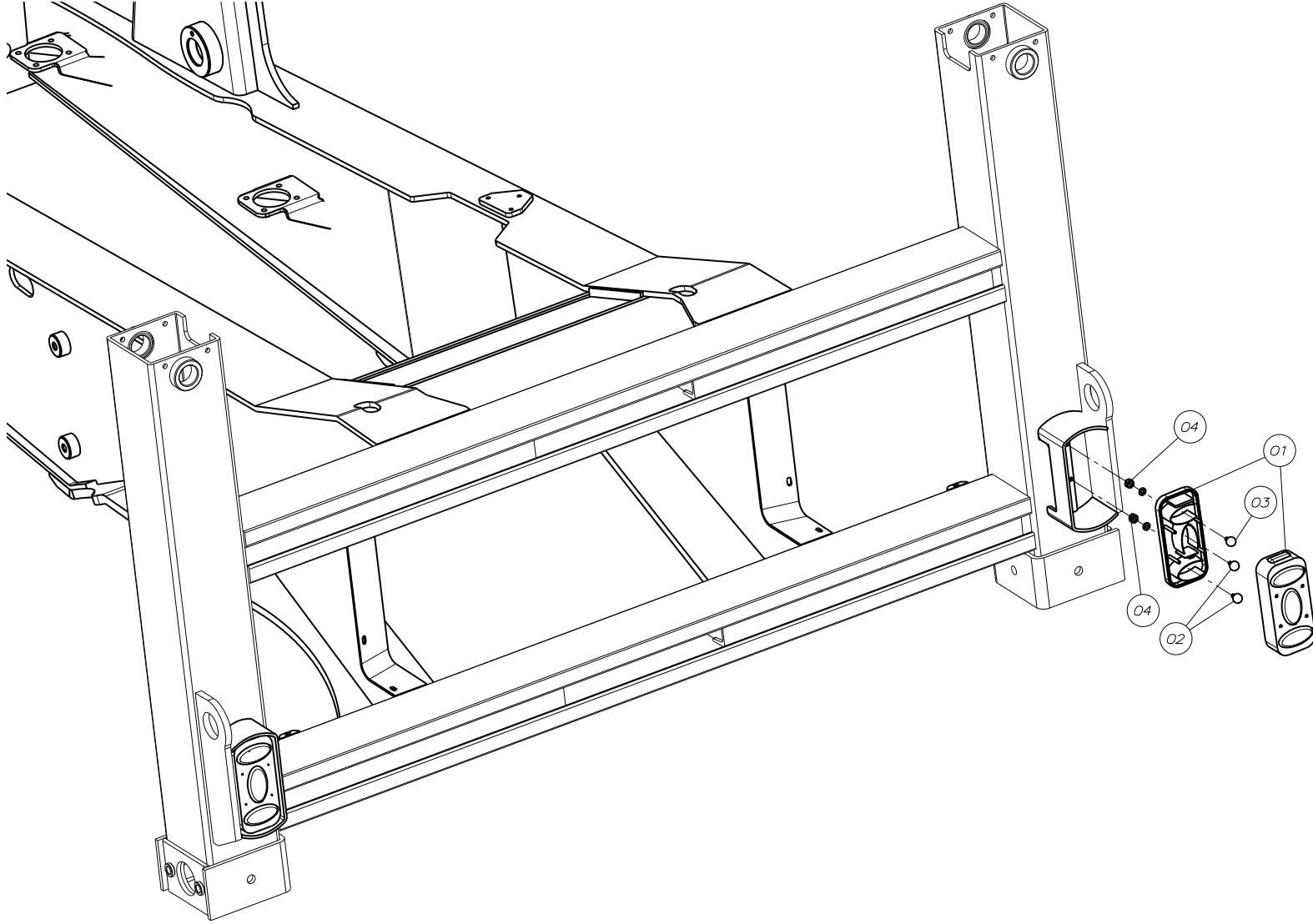
BOM KİLİTLEME SİSTEMİ / BOOM LOCK SYSTEM

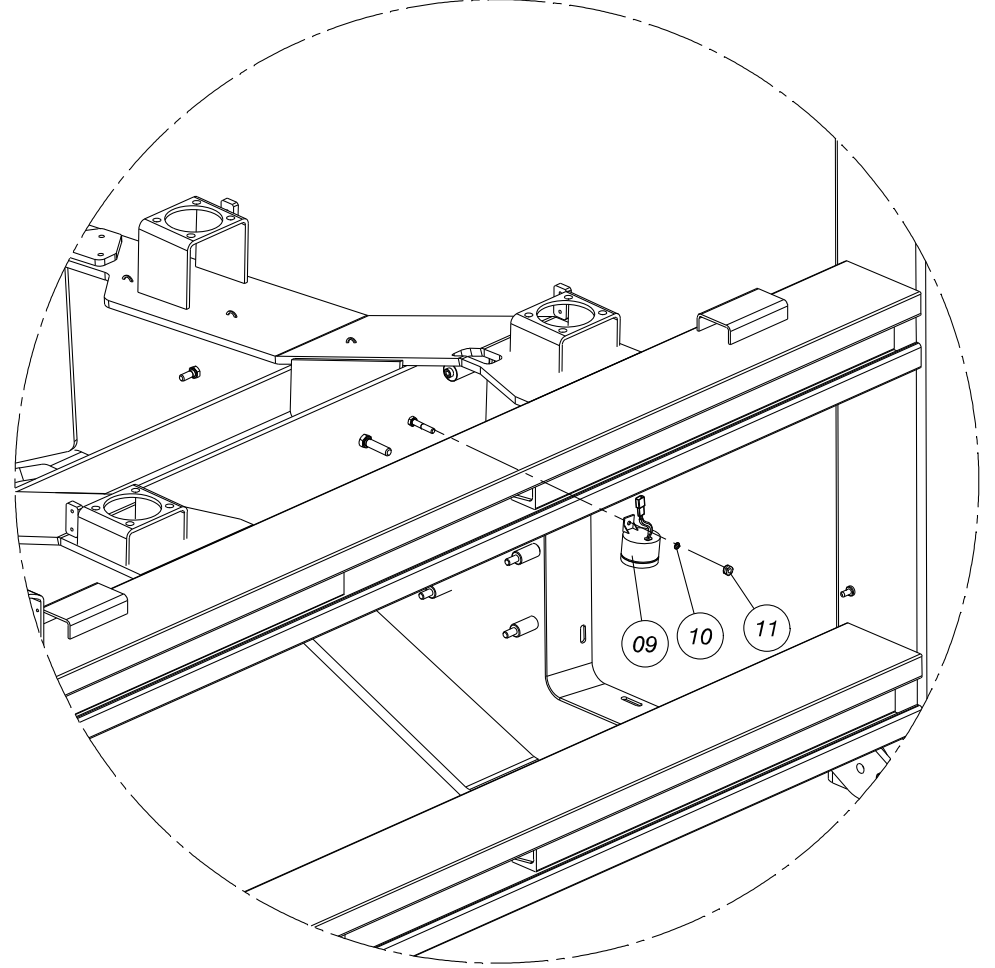
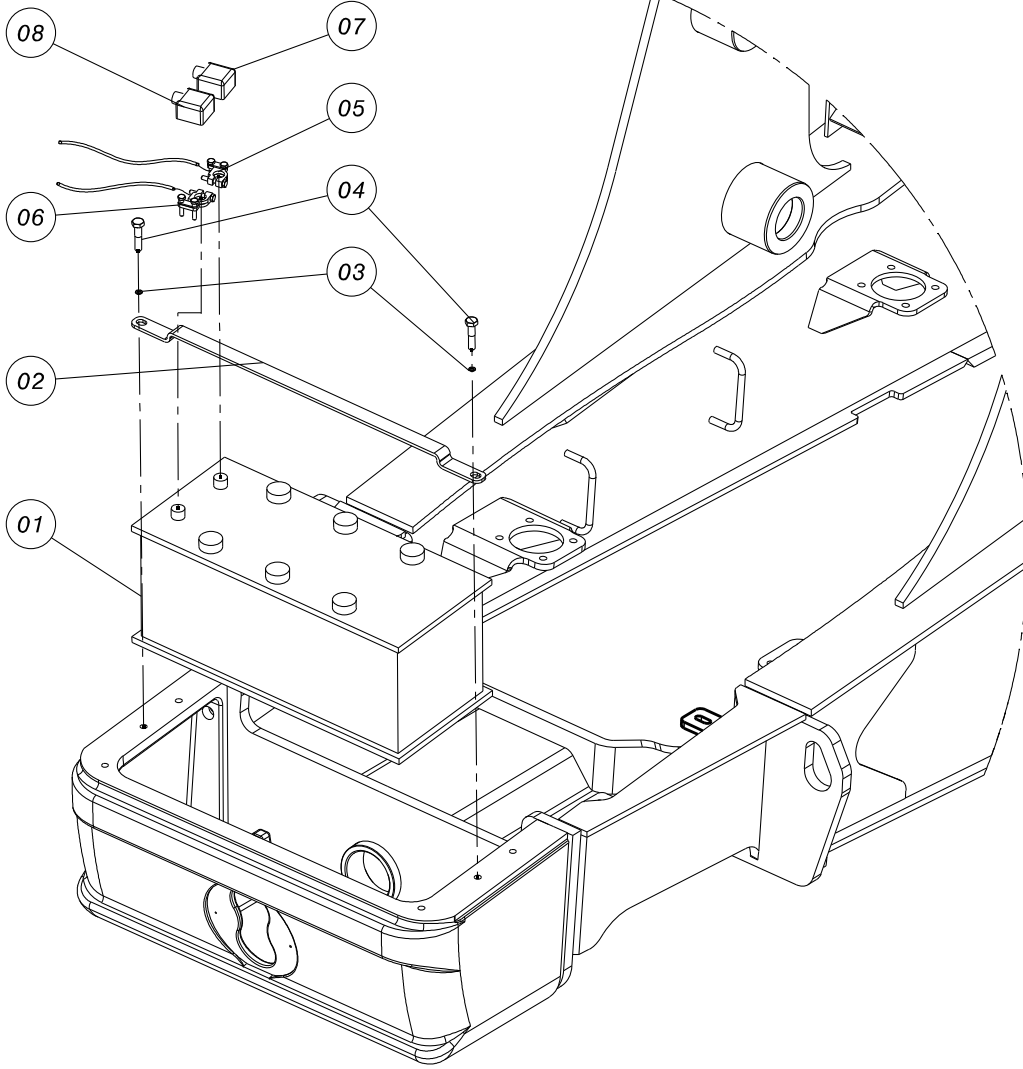


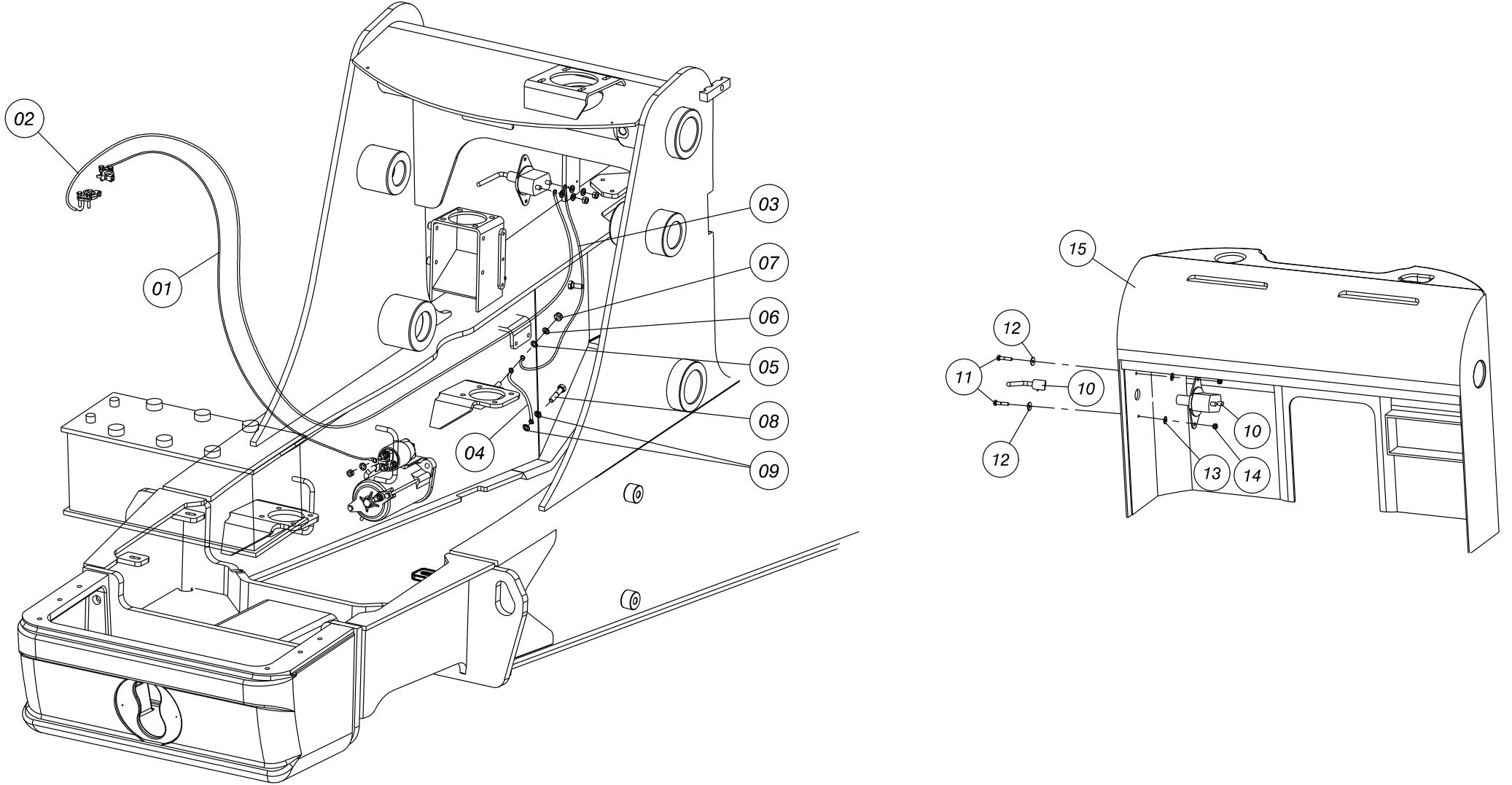
BOM KİLİTLEME SİSTEMİ / BOOM LOCK SYSTEM

POS	YEDEK PARÇA KODU SPARE PART CODE	REFERANS KODU REFERENCE CODE	PARÇA TANIMI	DESCRIPTION	MİKTAR QTY.	NOT NOTE
1	5420949		GÖVDE KOMPLESİ	BODY ASSY.	1	
2	54209128		CIVATA	BOLT	2	M16x2 x 40 İNBUS, HAVŞA BAŞLI,
3	5421462		CIVATA	BOLT	1	M16x2 x 60
4	5423356		SOMUN	NUT	1	M16, DÜZ
5	5420953		KOL KOMPLESİ, BOM KİLİTLEME	ARM ASSY.	1	
6	5420951		PİM	PIN	1	Ø20 x 120
7	5423768		SEGMAN	CIRCLIP	2	DIN 471/19
8	5420976		BURÇ	BUSH	1	
9	5420899		HORTUM TABLASI SACI KOMPLESİ	BRACKET	4	
10	5423812		CIVATA	BOLT	4	M8 x 50
11	5423793		PUL	WASHER	4	5/16"
12	5420622		SOMUN	NUT	4	M8 FİBERLİ
13	5420892		GROMET LASTİĐİ	RUBBER	1	
14	5420989		HALAT/TEL	WIRE	1	SD 10 2540
15	5423799		BAĐLANTI SACI, KAZICI KUMANDA	MOUNTING BRACKET ASSY., BACKHOE VALVE	1	

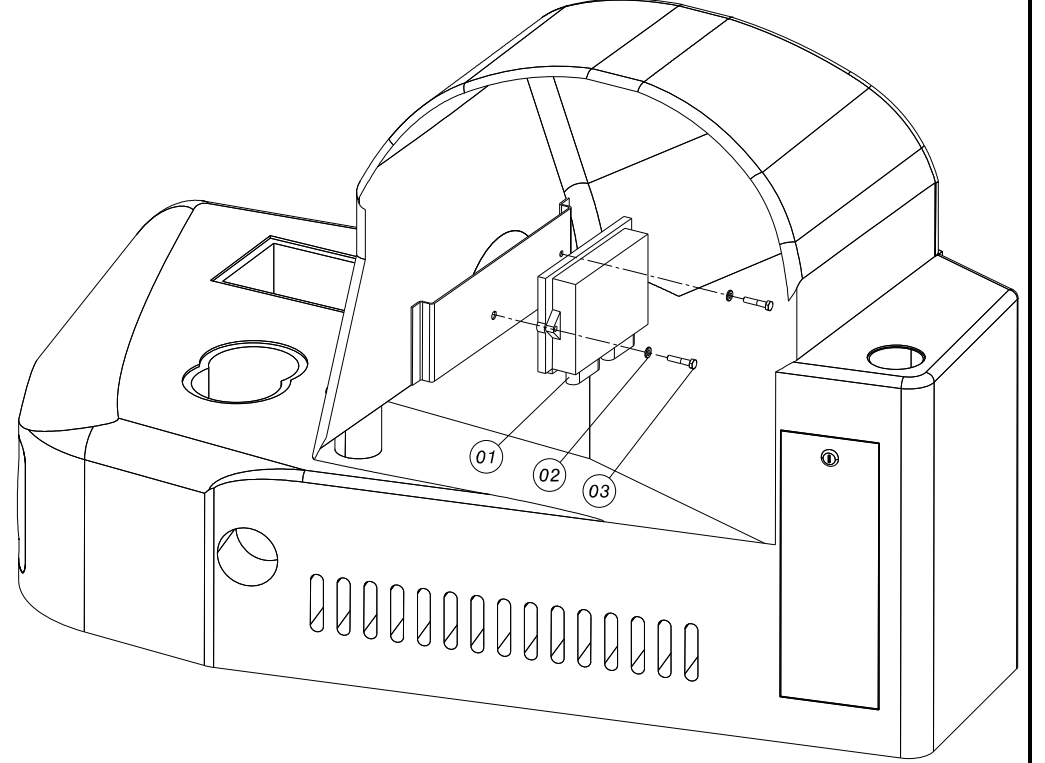
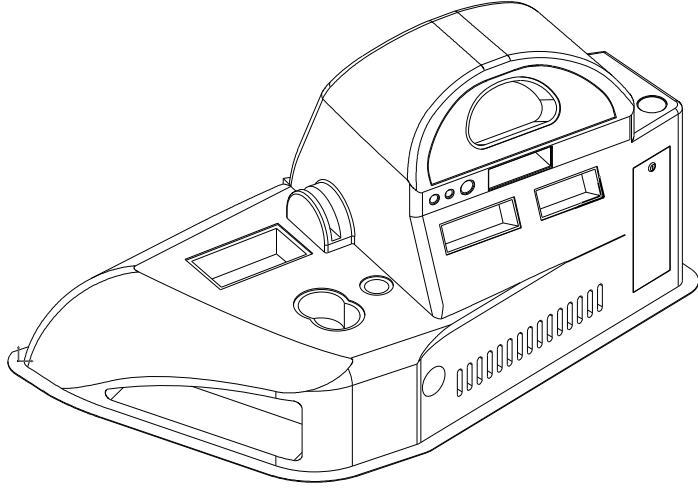


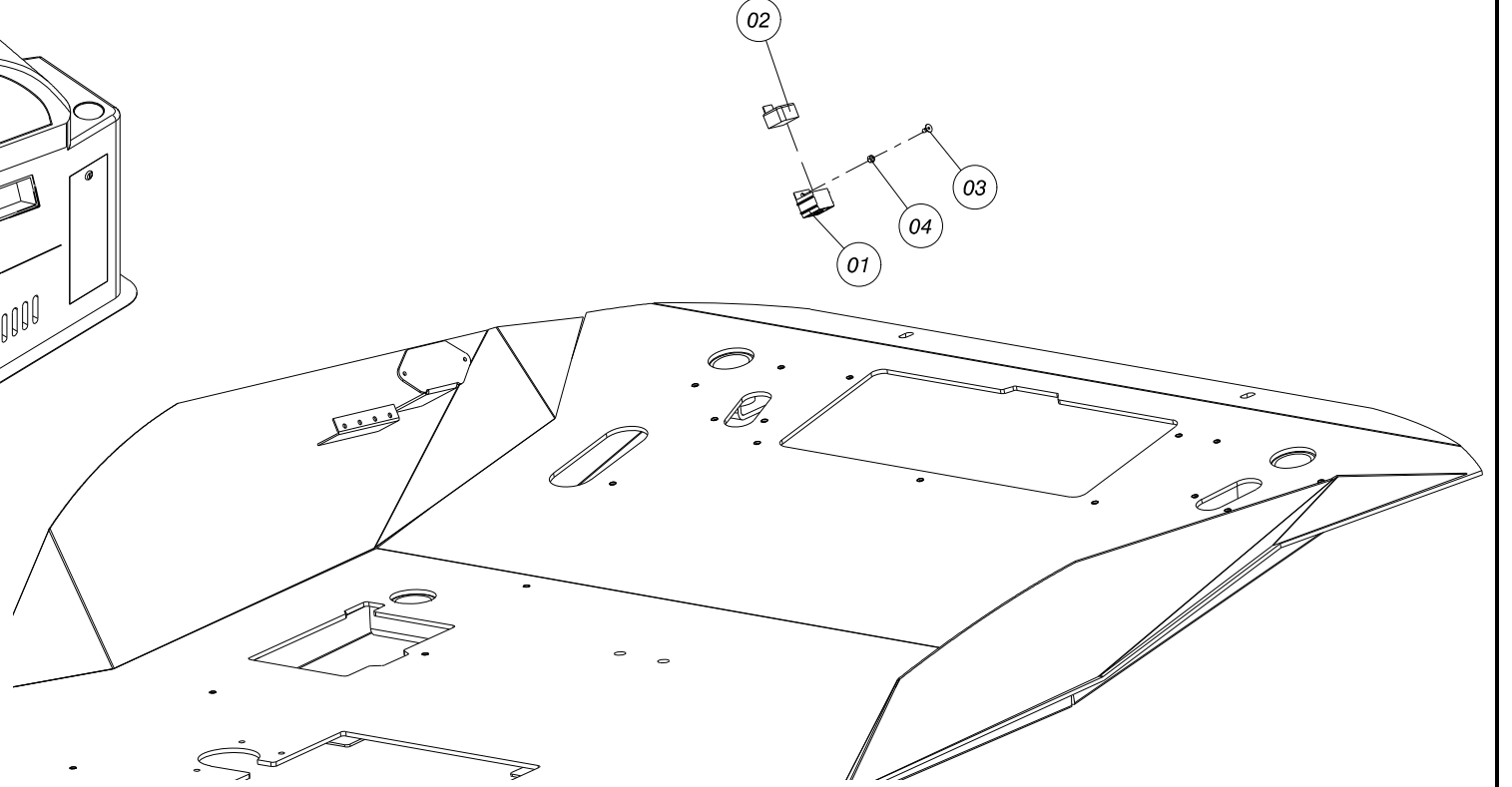
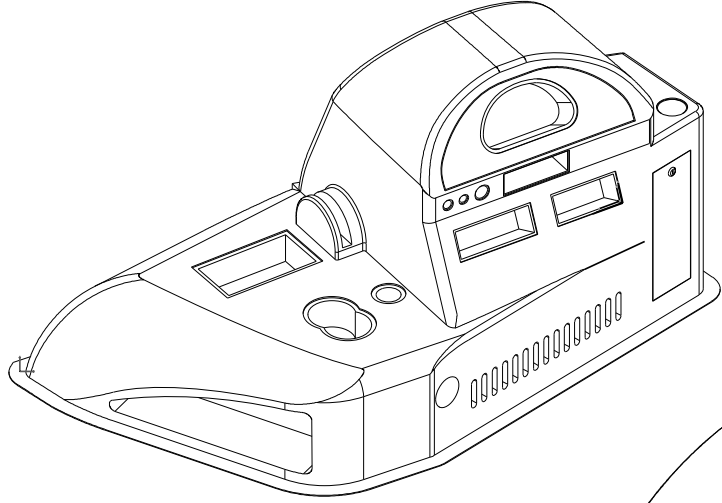


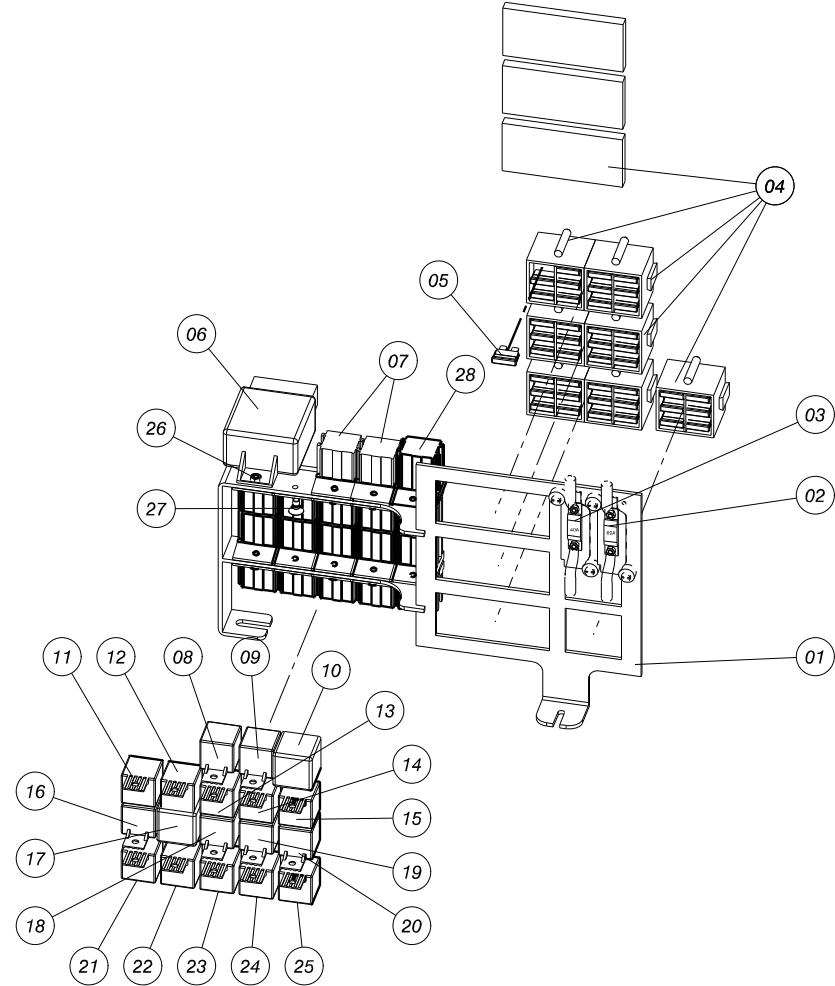
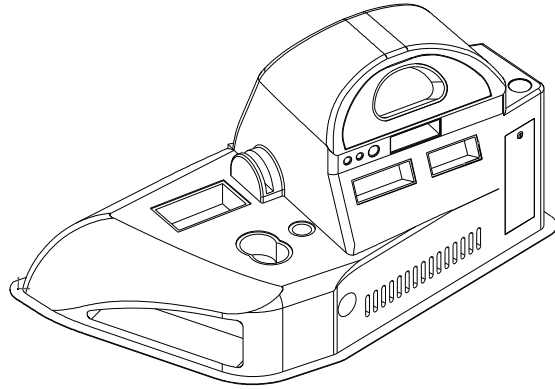




POS	YEDEK PARÇA KODU SPARE PART CODE	REFERANS KODU REFERENCE CODE	PARÇA TANIMI	DESCRIPTION	MİKTAR QTY.	NOT NOTE
1	54232121		KABLO	CABLE	1	AKÜ KUTUP BAŞI (+) – MARŞ MOTORU ARASI
2	54232120		KABLO	CABLE	1	AKÜ KUTUP BAŞI (-) – DEVRE KESİCİ ŞALTER ARASI
3	54232122		KABLO	CABLE	1	DEVRE KESİCİ ŞALTER – ŞASE ARASI
4	54232123		KABLO	CABLE	1	ŞASE – ŞANZİMAN GÖVDESİ ARASI
5	5421217		PUL	WASHER	1	M10 DÜZ
6	5421715		PUL	WASHER	1	M10 YAYLI
7	5423429		SOMUN	NUT	1	M10 FİBERLİ
8	54201245		CIVATA	BOLT	1	M12 x 20
9	54232114		PUL	WASHER	2	½" YAYLI
10	5423248		DEVRE KESİCİ ŞALTER	BATTERY MASTER SWITCH	1	
11	5421477		CIVATA	BOLT	2	M6 x 20
12	54214155		PUL	WASHER	2	¼"
13	5421474		PUL	WASHER	2	M6
14	5421475		SOMUN	NUT	2	M6 FİBERLİ
15	54214279		KONSOL	CONSOL	1	ÖN / FRONT

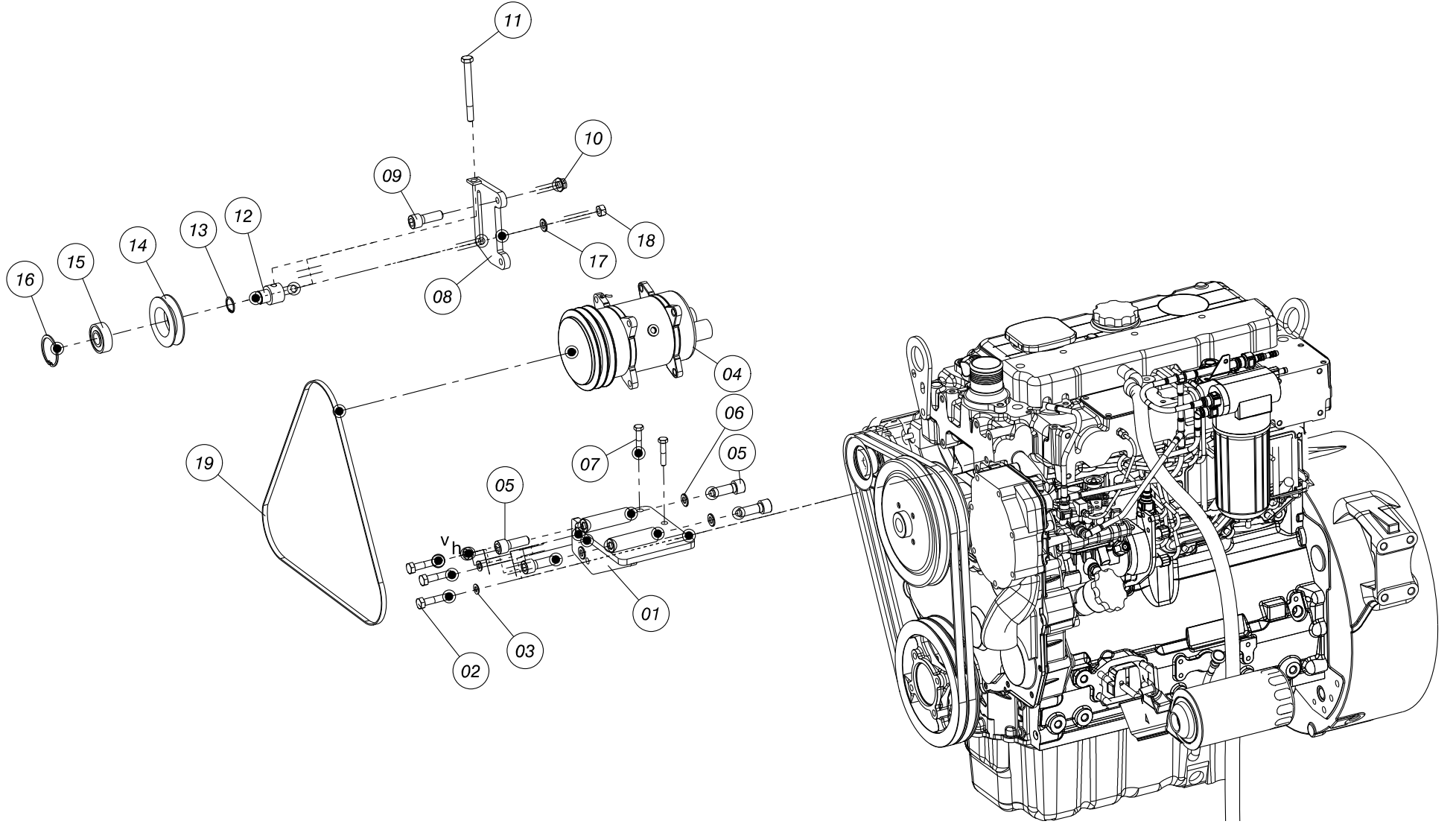




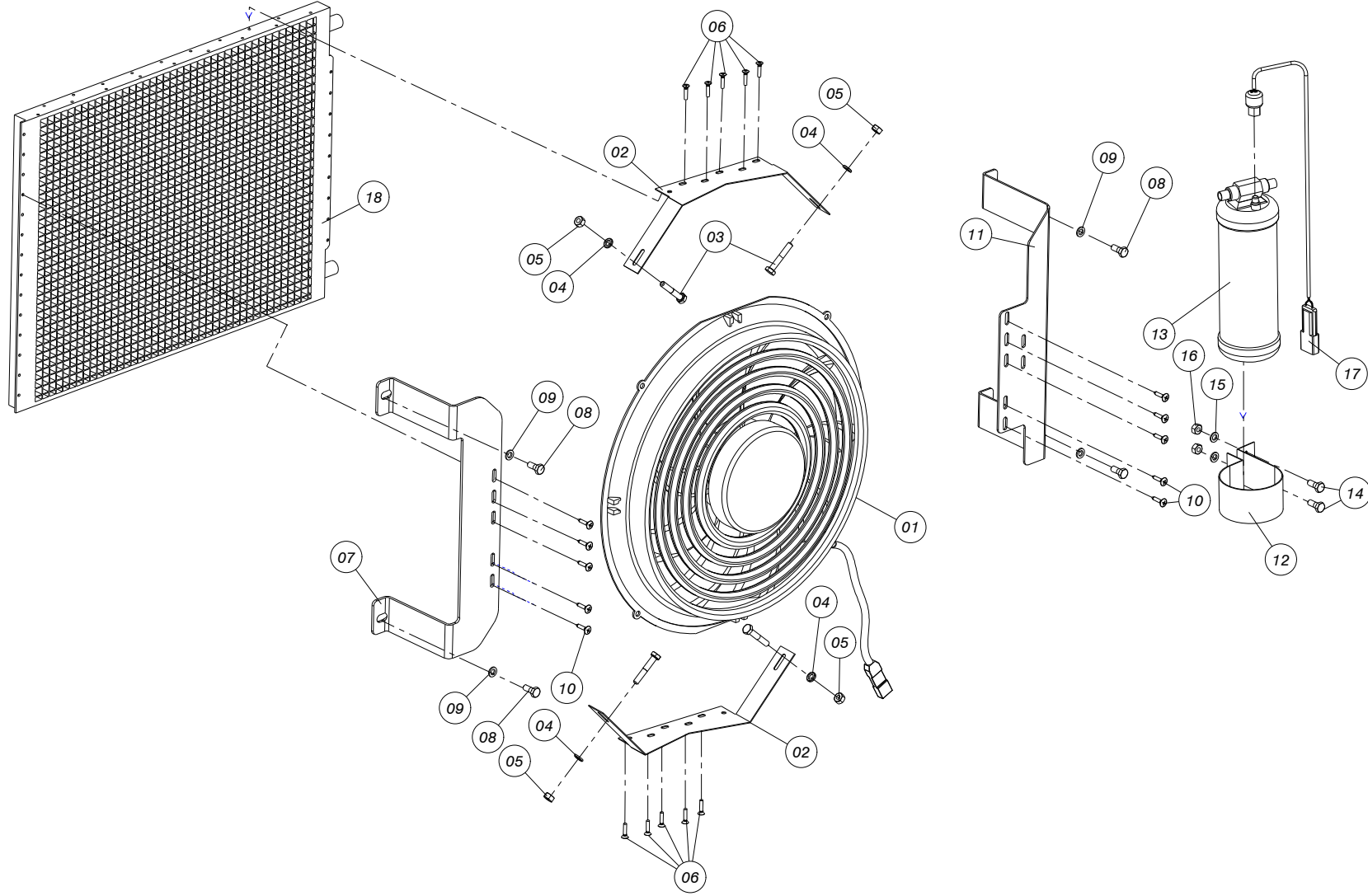


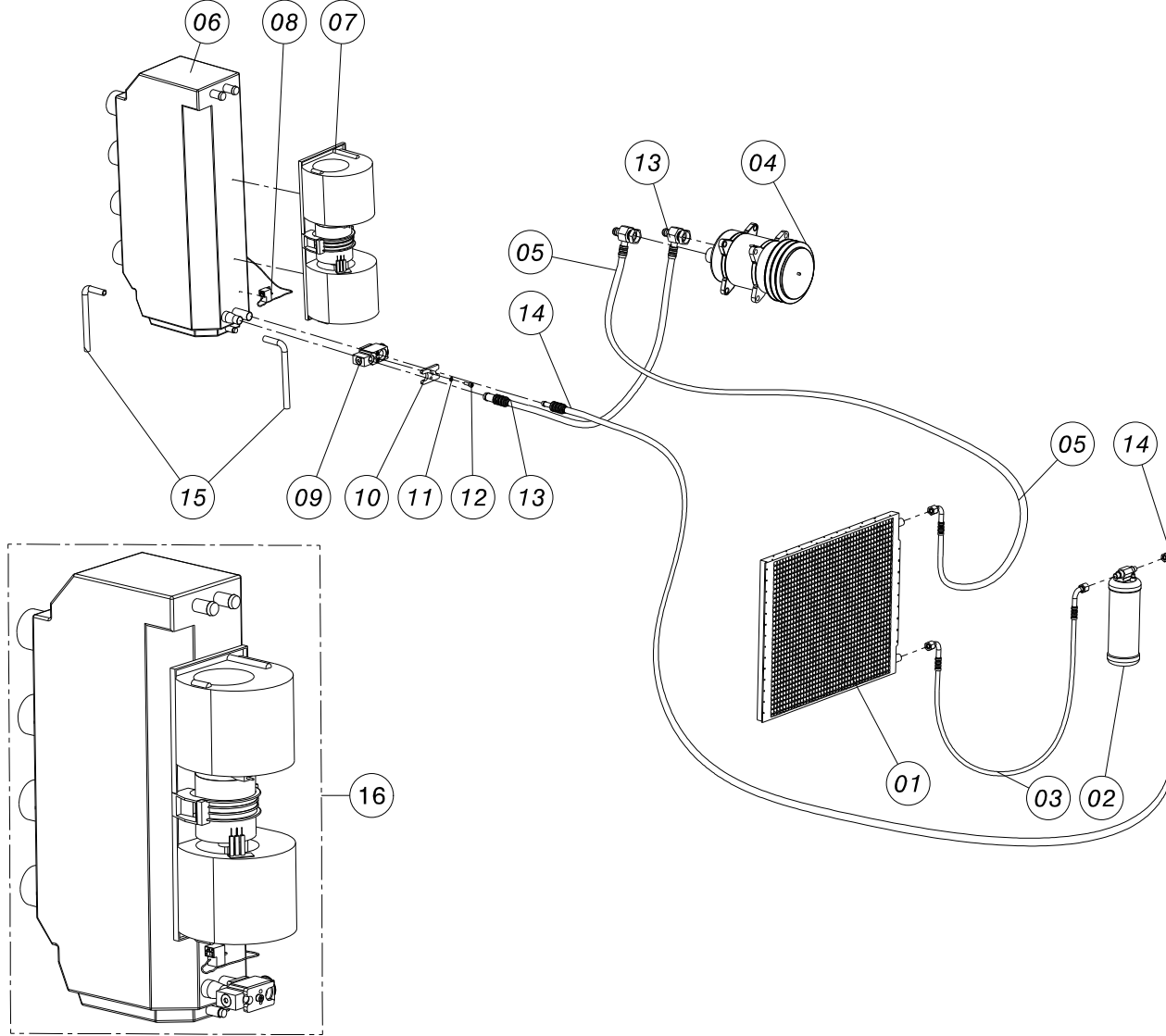
RÖLELER, YAN GÖSTERGE PANELİ / RELAYS, DASHBOARD

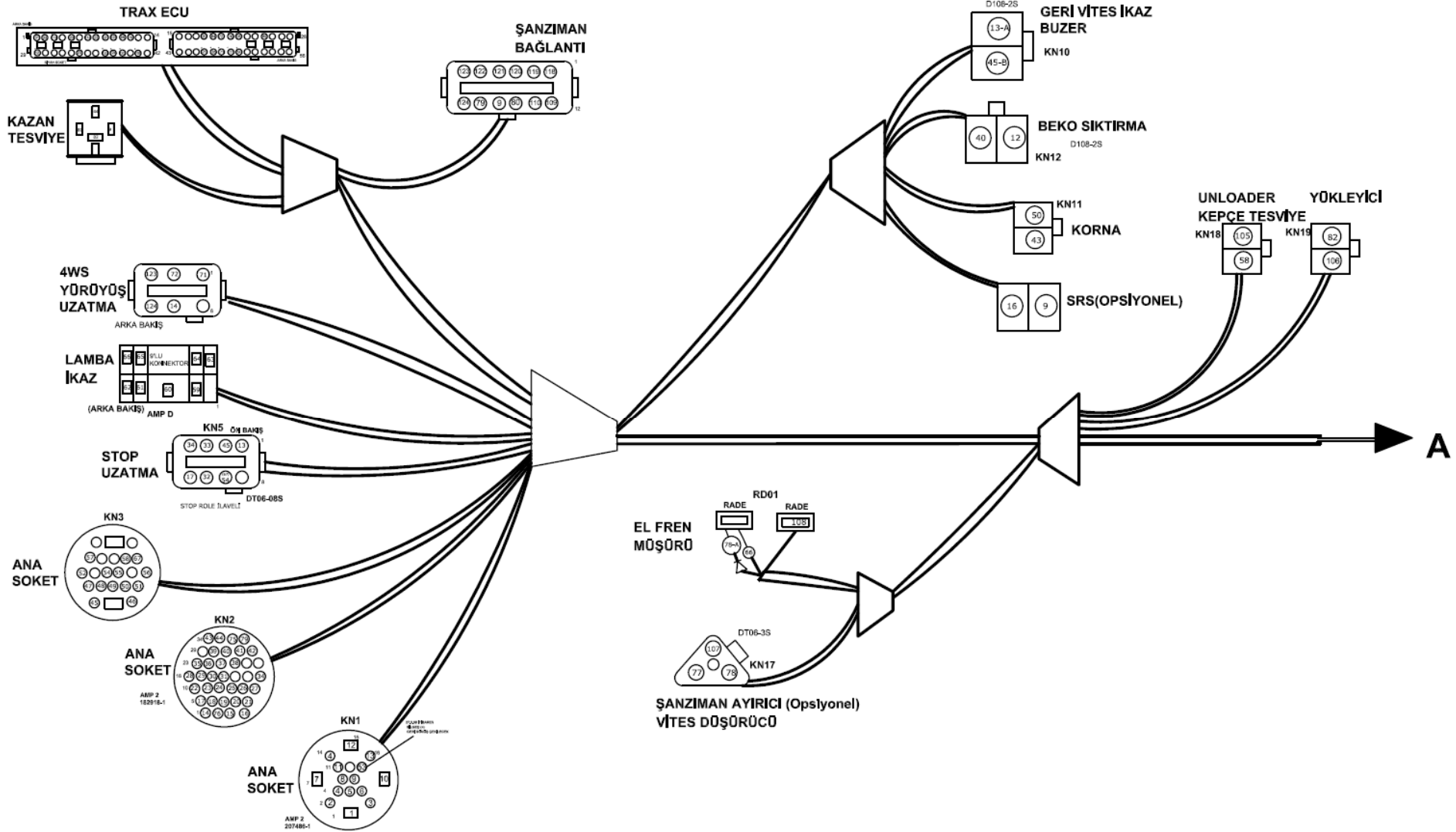
POS	YEDEK PARÇA KODU SPARE PART CODE	REFERANS KODU REFERENCE CODE	PARÇA TANIMI	DESCRIPTION	MİKTAR QTY.	NOT NOTE
1	5423249		RÖLE BAĞLANTI APARATI	BRACKET		
2	54232129		ANA SİGORTA	MAIN FUSE		60 A
3	54232128		ANA SİGORTA	MAIN FUSE		40 A
4	5423204		SİGORTA YUVASI – KAPAĞI	FUSE BOX COMPLETE WITH COVER	2	12 SİGORTA YUVALI / 12 WAY
5	5423261		SİGORTA	FUSE	2	3 A
5	5423262		SİGORTA	FUSE	5	7,5 A
5	5423263		SİGORTA	FUSE	10	10 A
5	5423264		SİGORTA	FUSE	5	15 A
5	5423265		SİGORTA	FUSE	1	20 A
5	5423266		SİGORTA	FUSE	1	25 A
6	54232112		BUZER, GÖSTERGE	WARNING LIGHTS CHECK	1	
7	54232108		SOKET	CONNECTION HOUSING	17	
8	54232109		ROLE	RELAY	1	FREN UYARI LAMBASI/REAR BRAKE WARNING LAMP (4 UÇLU)
9	5423294		RÖLE	RELAY	1	SMOOTHING
10	54232110		ROLE	RELAY	1	70A KONTAK ANAHTARI ROLESİ /POWER RELAY
11	5423294		RÖLE	RELAY	1	4 ÇEKER, 4WS (5 UÇLU)
12	5423294		RÖLE	RELAY	1	4 ÇEKER, 4WS (5 UÇLU)
13	54232109		RÖLE	RELAY	1	ISITMA UNİTESİ 3.SEVIYE / HEATING UNIT LEVEL 3 (4 UÇLU)
14	54232109		RÖLE	RELAY	1	ISITMA UNİTESİ 2.SEVIYE / HEATING UNIT LEVEL 2 (4 UÇLU)
15	54232109		RÖLE	RELAY	1	ISITMA UNİTESİ 1.SEVIYE / HEATING UNIT LEVEL 1 (4 UÇLU)
16	54232109		ROLE	RELAY	1	GERİ İKAZ LAMBASI / REVERSE LAMP BUZZER (4 UÇLU)
17	54232111		RÖLE	RELAY	1	FLAŞÖR / FLASHING UNIT
18	5423294		ROLE	RELAY	1	ATEŞLEME / IGNITION (5 UÇLU)
19	54232109		RÖLE	RELAY	1	KORNA / HORN (4 UÇLU)
20	54232109		RÖLE	RELAY	1	TEPE LAMBASI / BEACON
21	54232109		RÖLE	RELAY	1	KISA FAR (4 UÇLU)
22	54232109		RÖLE	RELAY	1	UZUN FAR (4 UÇLU)
23	54232109		RÖLE	RELAY	1	ÖN ÇALIŞMA LAMBASI (4 UÇLU)
24	54232109		RÖLE	RELAY	1	ARKA ÇALIŞMA LAMBASI 1 (4 UÇLU)
25	54232109		RÖLE	RELAY	1	ARKA ÇALIŞMA LAMBASI 2 (4 UÇLU)
26	5421479		SOMUN	NUT	1	M6, DÜZ
27	5423293		CIVATA	BOLT	10	M5 x 10, İNBUS, HAVŞA BAŞLI
28	54232113		SOKET	CONNECTION HOUSING	1	

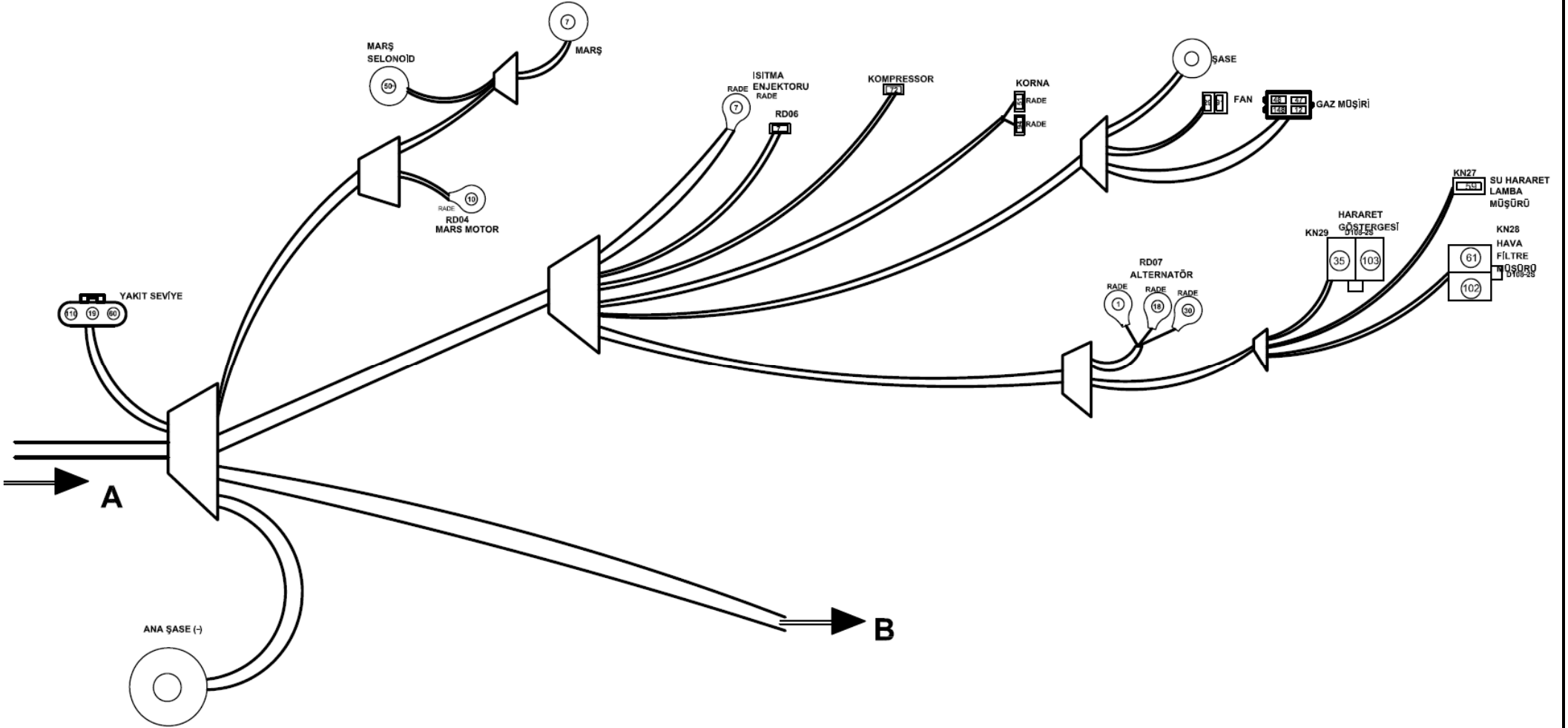


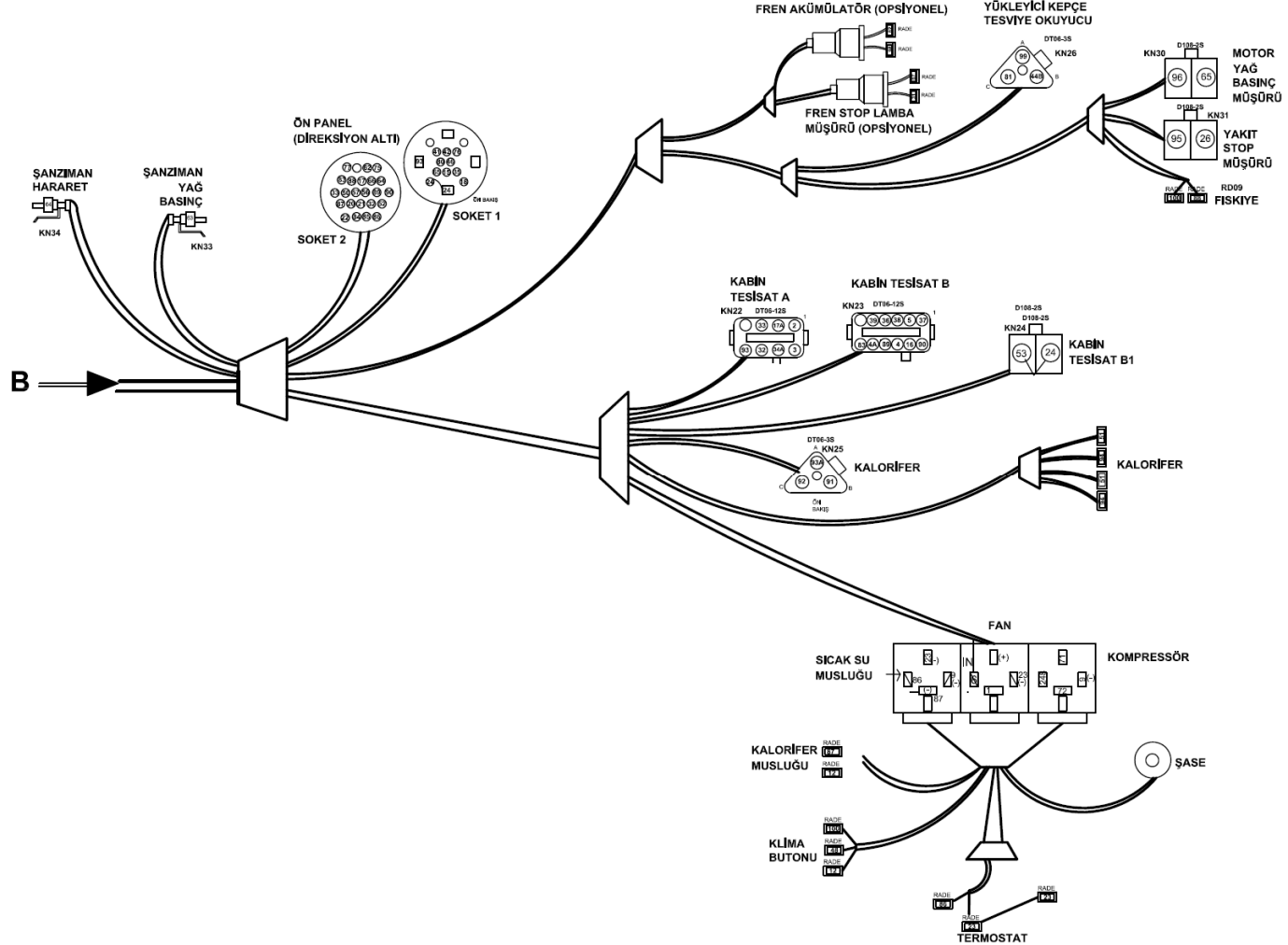
POS	YEDEK PARÇA KODU SPARE PART CODE	REFERANS KODU REFERENCE CODE	PARÇA TANIMI	DESCRIPTION	MİKTAR QTY.	NOT NOTE
1	5424440		BAĞLANTI SACI	BRACKET	1	
2	5421727		CIVATA	BOLT	3	M10 x 25
3	5421715		PUL	WASHER	3	M10 YAYLI
4	5424421		KOMPRESÖR	COMPRESSOR	1	015201 - SP-15 A/C DELPHI
5	5424446		CIVATA	BOLT	4	M10 x 30 İMBUS
6	5421217		PUL	WASHER	2	M10
7	5421312		CIVATA	BOLT	2	M8 x 25
8	5424441		AYAR SACI	BRACKET	1	
9	5424447		CIVATA	BOLT	1	M10 x 40 İMBUS
10	5424448		SOMUN	NUT	1	M10 FLANŞLI
11	5420819		CIVATA	BOLT	1	M10 x 100
12	5424442		PİM	PIN	1	
13	5424457		SEGMAN	CIRCLIP	1	471/20
14	5424443		KASNAK	PULLEY	1	
15	5423769		RULMAN	BEARING	1	
16	5424444		SEGMAN	CIRCLIP	1	472/48
17	5421201		PUL	WASHER	1	M12
18	5423707		SOMUN	NUT	1	M12
19	5424445	12.5X1175La	KAYIŞ	BELT	1	M542 Makinalarda Kullanıldı / Used in M542 machines
19	5444445	13X1000Li	KAYIŞ	BELT	1	M544 Makinalarda Kullanıldı / Used in M544 machines



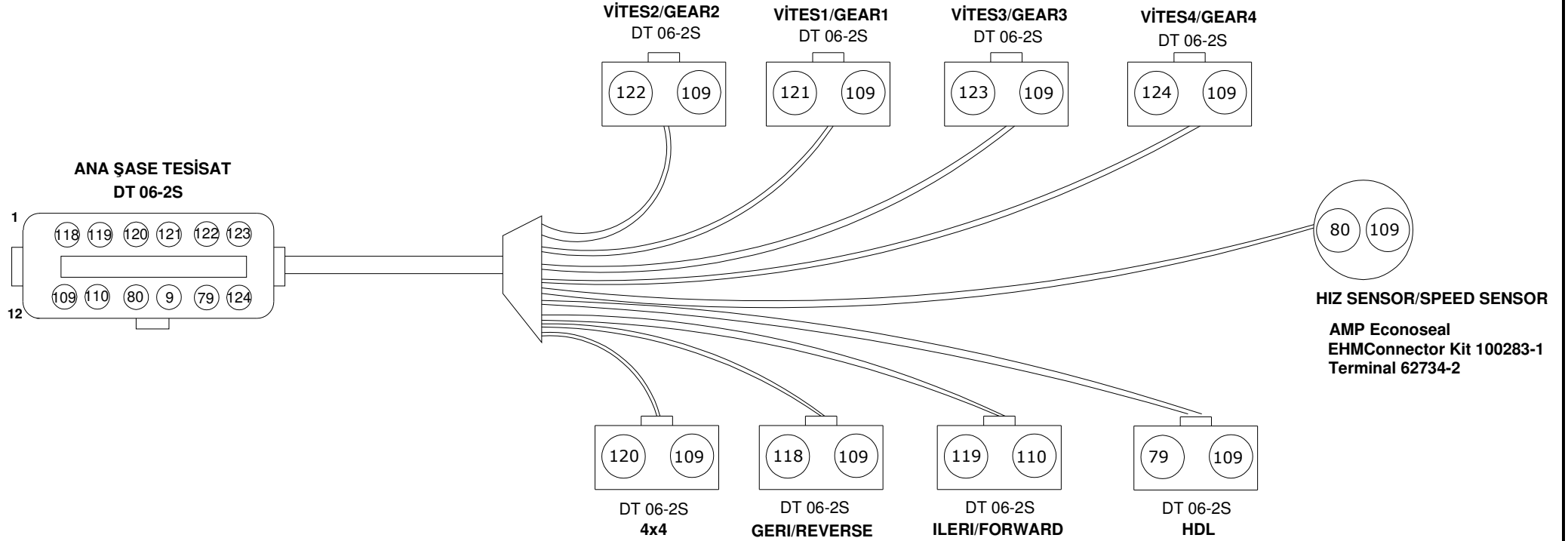




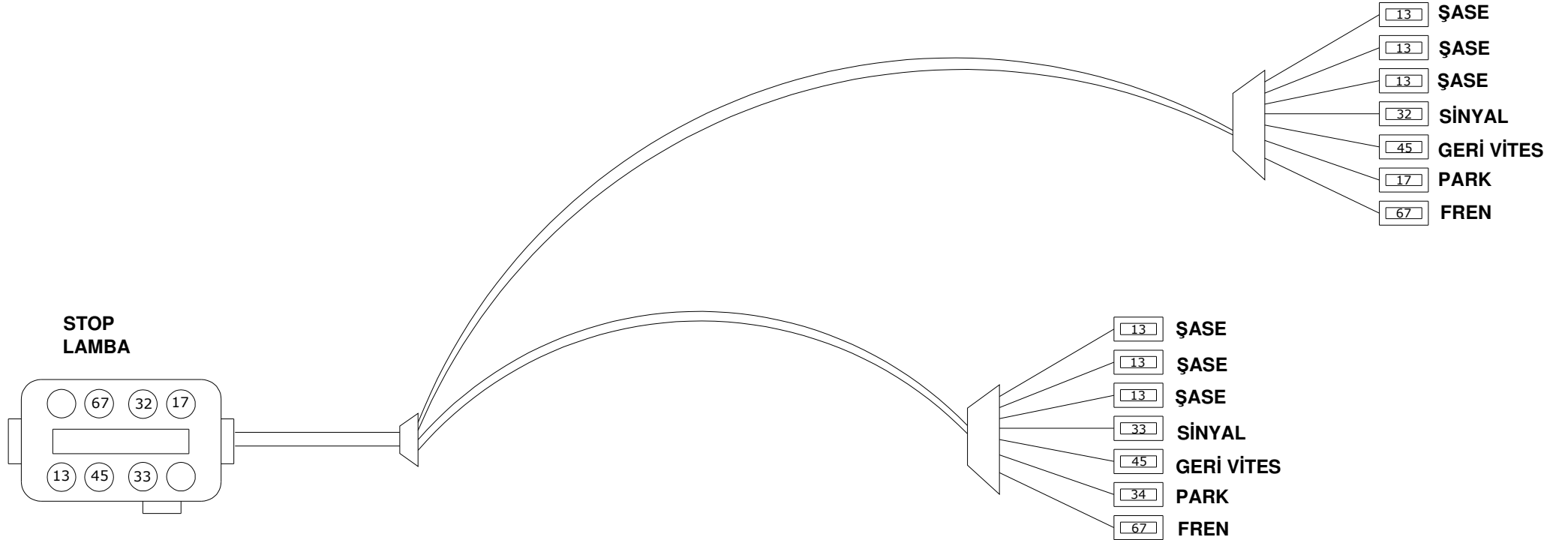




POS	YEDEK PARÇA KODU SPARE PART CODE	REFERANS KODU REFERENCE CODE	PARÇA TANIMI	DESCRIPTION	MİKTAR QTY.	NOT NOTE
1	544S0404		ELEKTRİK TESİSATI, ANA	ELECTRIC INSTALLATION, MAIN	1	UNIVERSAL ANA TESİSAT (TRAX)



POS	YEDEK PARÇA KODU SPARE PART CODE	REFERANS KODU REFERENCE CODE	PARÇA TANIMI	DESCRIPTION	MİKTAR QTY.	NOT NOTE
1	5423229702		ELEKTRİK TESİSATI, ŞANZIMAN UZATMA	ELECTRIC INSTALLATION,	1	



POS	YEDEK PARÇA KODU SPARE PART CODE	REFERANS KODU REFERENCE CODE	PARÇA TANIMI	DESCRIPTION	MİKTAR QTY.	NOT NOTE
1	54232256		ELEKTRİK TESİSATI, ARKA STOP LAMBASI	ELECTRIC INSTALLATION, REAR LAMP	1	

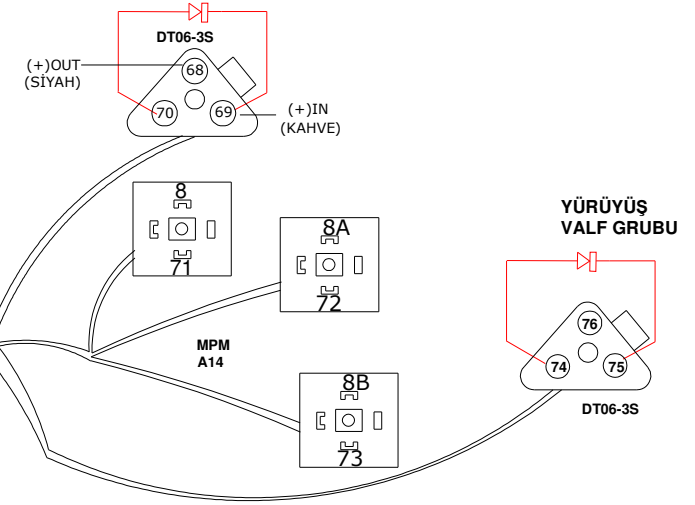
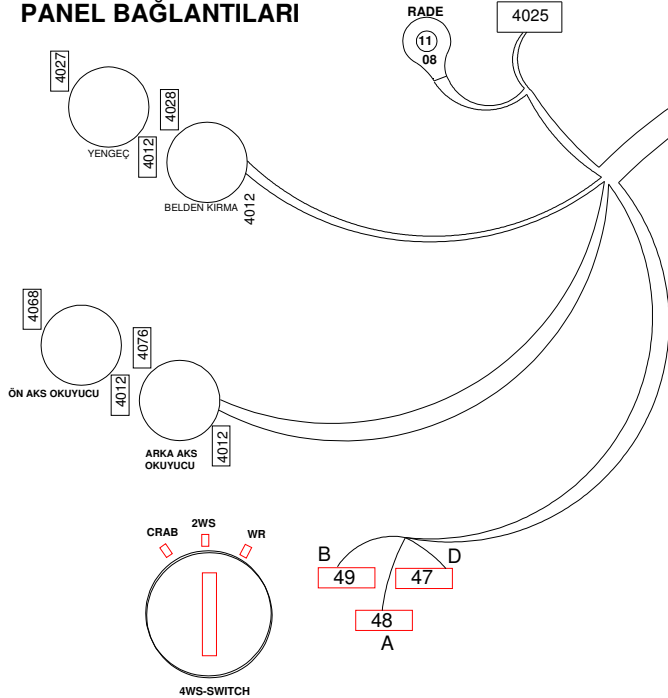
4WS ECU - YÜRÜYÜŞ KUTUSU

ARKA BAKIŞ

72	71	27	14	28	48	47	11	92	91	72	73	
		123	124	68	76	49						71
				70	74			69	75		25	

TUŞ TAKIMI - İKAZ
PANEL BAĞLANTILARI

4WS-ECU(444)
SİGORTA



POS	YEDEK PARÇA KODU SPARE PART CODE	REFERANS KODU REFERENCE CODE	PARÇA TANIMI	DESCRIPTION	MİKTAR QTY.	NOT NOTE
1	544S0407		ELEKTRİK TESİSATI, 4WS ECU	ELECTRIC INSTALLATION, 4WS ECU	1	Sadece M544 makinalarda kullanıldı. Yürüyüş Uzatma Bağımsız Tesiat Trax

8 - HİDROLİK SİLİNDİRLER & KUMANDA SİSTEMLERİ HYDRAULIC CYLINDERS & DISTRIBUTOR VALVE SYSTEMS



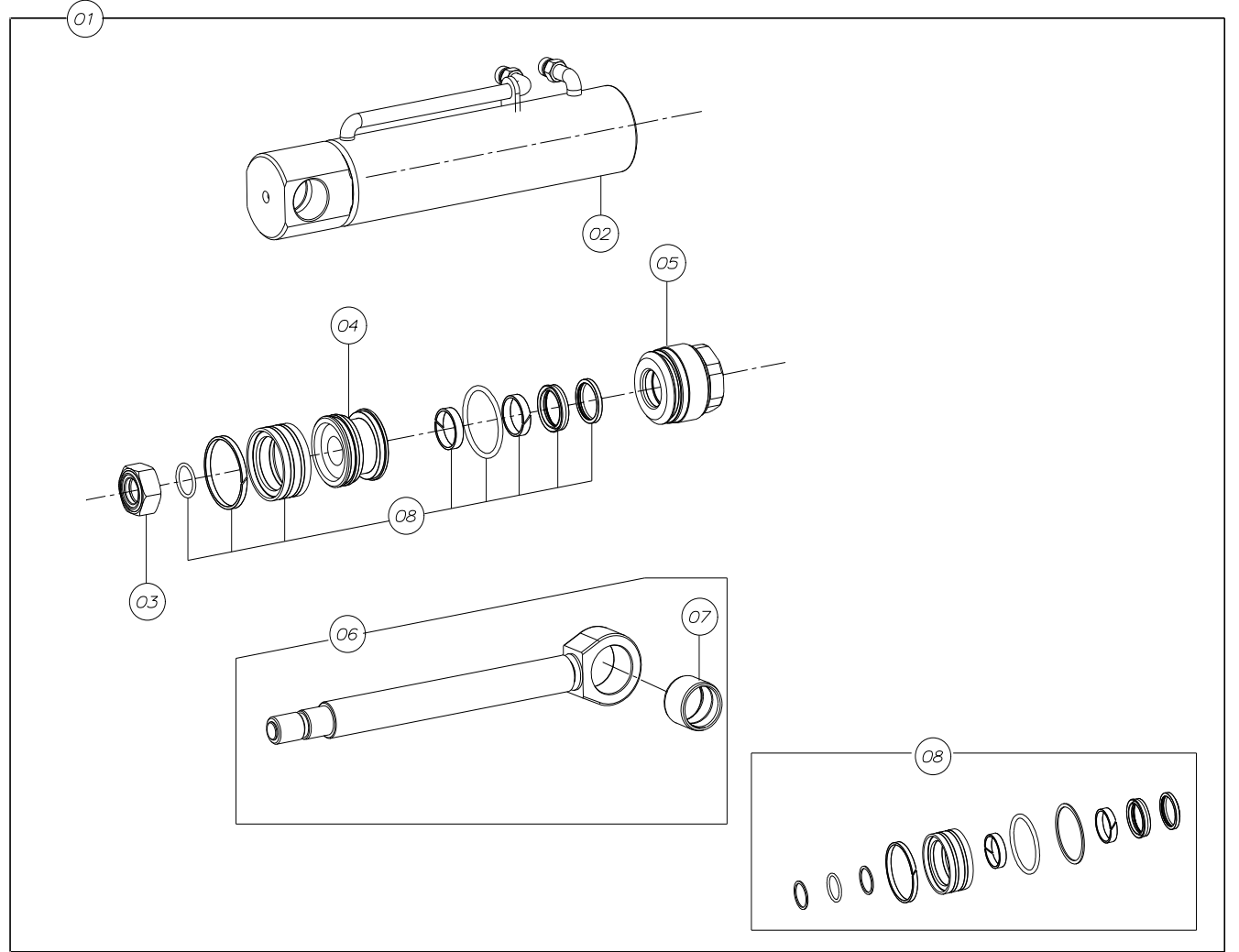
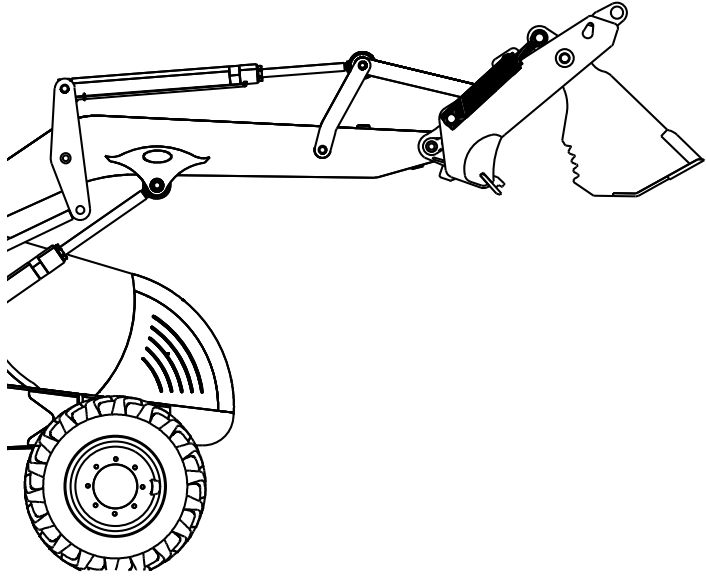
TANIM / DESCRIPTION

SAYFA NO / PAGE NUMBER

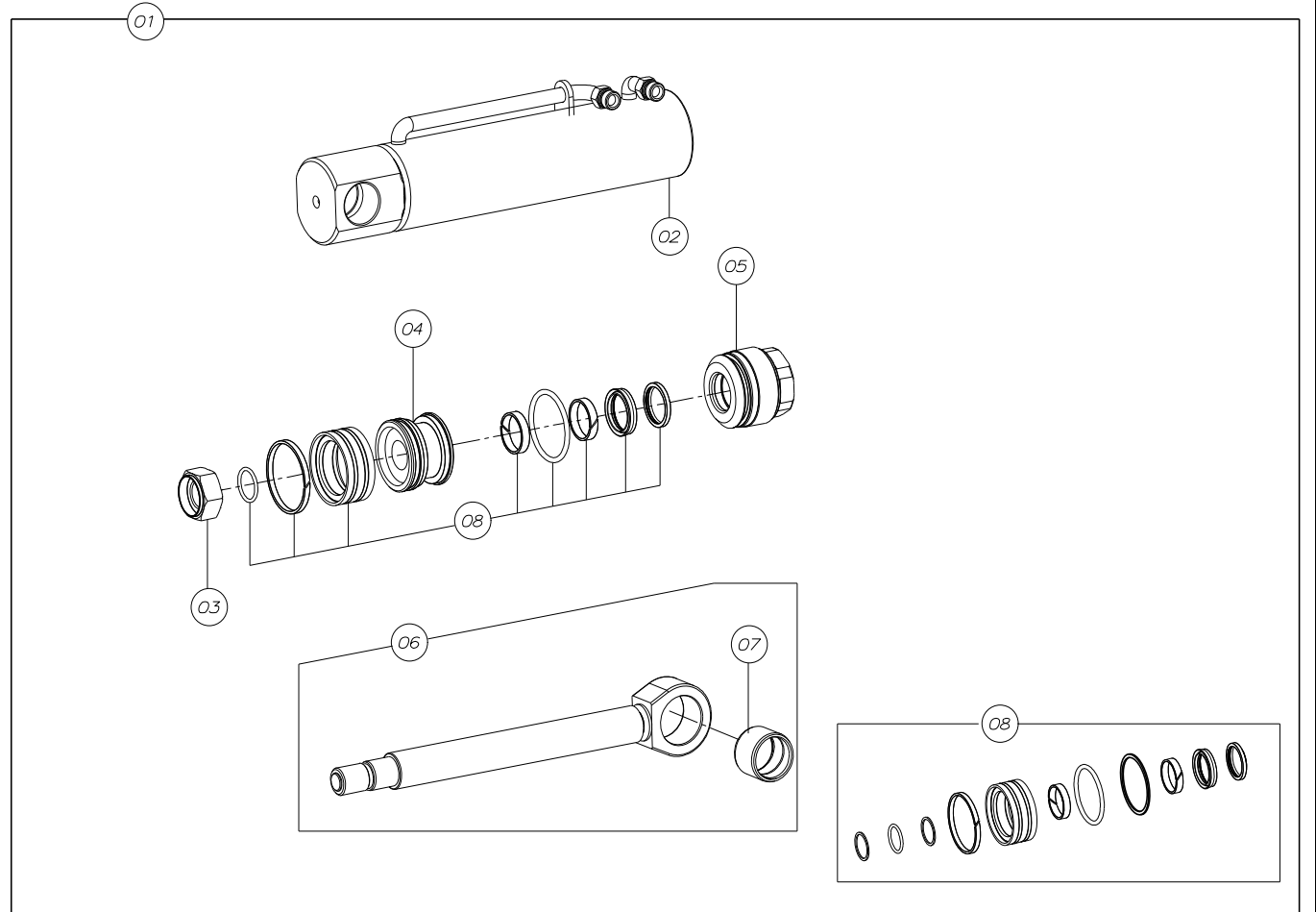
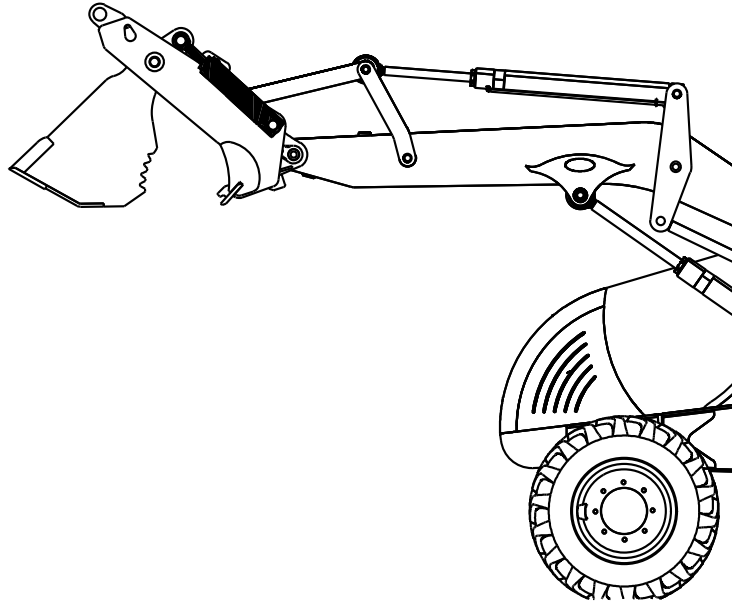
AÇILIR KEPÇE SİLİNDİRİ, SAĞ / HYDRAULIC CYLINDER, CLAMSHOVEL, RIGHT	001 – 002
AÇILIR KEPÇE SİLİNDİRİ, SOL / HYDRAULIC CYLINDER, CLAMSHOVEL, LEFT	003 – 004
YÜKLEYİCİ DEVİRİCİ SİLİNDİRİ, SAĞ / HYDRAULIC CYLINDER, LOADER SHOVEL, RIGHT	005 – 006
YÜKLEYİCİ DEVİRİCİ SİLİNDİRİ, SOL / HYDRAULIC CYLINDER, LOADER SHOVEL, LEFT	007 – 008
YÜKLEYİCİ KALDIRICI SİLİNDİRİ, SAĞ / HYDRAULIC CYLINDER, LOADER LIFT, RIGHT	009 – 010
YÜKLEYİCİ KALDIRICI SİLİNDİRİ, SOL / HYDRAULIC CYLINDER, LOADER LIFT, LEFT	011 – 012
DENGE AYAĞI SİLİNDİRİ, SAĞ / HYDRAULIC CYLINDER, STABILIZER, RIGHT	013 – 014
DENGE AYAĞI SİLİNDİRİ, SOL / HYDRAULIC CYLINDER, STABILIZER, LEFT	015 – 016
SIKTIRMA SİLİNDİRİ / HYDRAULIC CYLINDER, COMPRESSION	017 – 018
DÖNÜŞ SİLİNDİRİ / HYDRAULIC CYLINDER, KINGPOST	019 – 020
KAZICI BOM SİLİNDİRİ / HYDRAULIC CYLINDER, BACKHOE BOOM	021 – 022
KAZICI KOL SİLİNDİRİ / HYDRAULIC CYLINDER, BACKHOE ARM	023 – 024
TELESKOBİK KOL SİLİNDİRİ / HYDRAULIC CYLINDER, EXTENDING DIPPER	025 – 026
KAZICI KEPÇE SİLİNDİRİ (STANDART KAZICI KOL) / HYDRAULIC CYLINDER, BACKHOE BUCKET (STANDARD BACKHOE ARM)	027 – 028
KAZICI KEPÇE SİLİNDİRİ (TELESKOBİK KAZICI KOL) / HYDRAULIC CYLINDER, BACKHOE BUCKET (EXTENDING DIPPER)	029 – 030
TOMRUK ATAŞMANI SİLİNDİRİ / HYDRAULIC CYLINDER, LOG ATTACHMENT	031 – 032
AÇILIR KEPÇE HİDROLİK TESİSATLARI / HYDRAULIC INSTALLATIONS OF CLAMSHOVEL	033 – 034
YÜKLEYİCİ KOL HİDROLİK TESİSATLARI / HYDRAULIC INSTALLATIONS OF LOADER ARM	035 – 036
YÜKLEYİCİ AYAK HİDROLİK TESİSAT BORULARI / HYDRAULIC INSTALLATIONS OF LOADER STABILIZER	037 – 038
ŞANZİMAN - HİDROLİK ANA POMPA MONTAJI / TRANSMISSION - HYDRAULIC MAIN PUMP MOUNTING	039 – 040

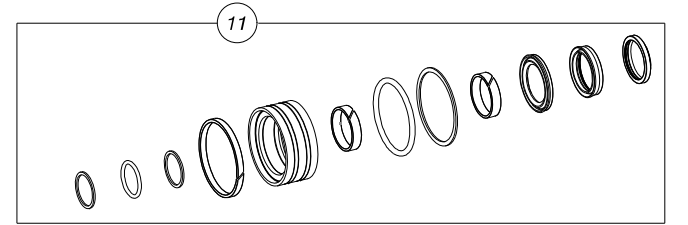
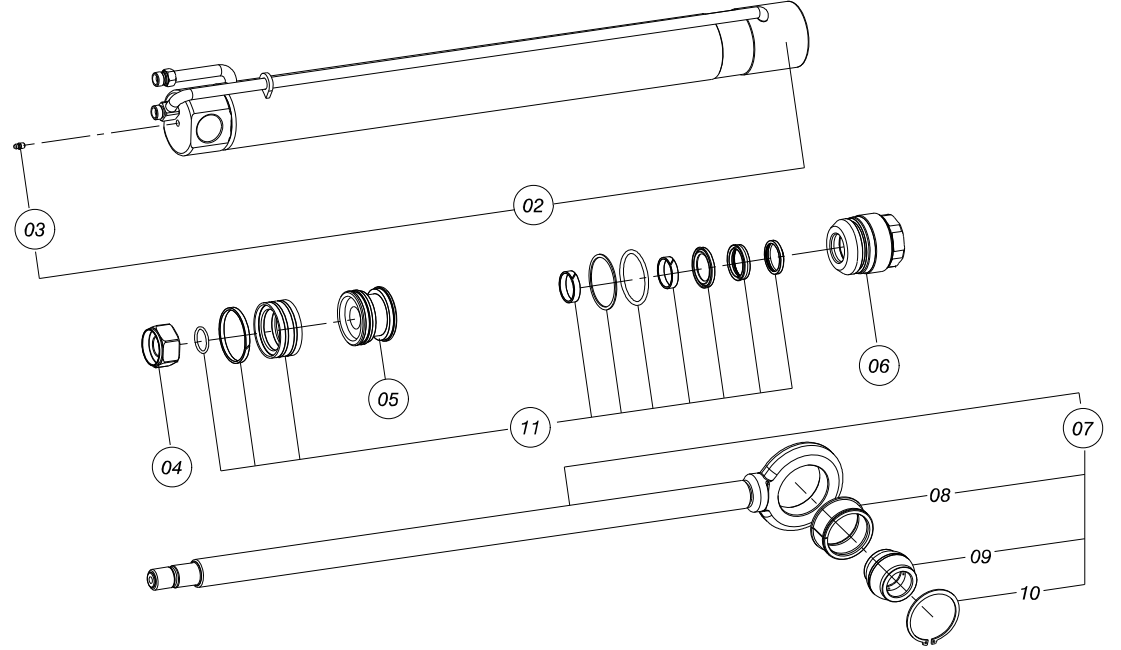
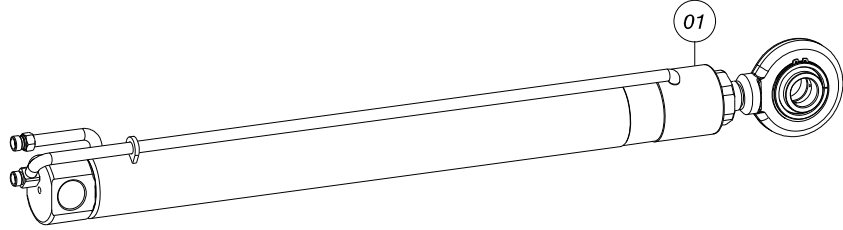
8 - HİDROLİK SİLİNDİRLER & KUMANDA SİSTEMLERİ HYDRAULIC CYLINDERS & DISTRIBUTOR VALVE SYSTEMS

TANIM / DESCRIPTION	SAYFA NO / PAGE NUMBER
HİDROLİK ANA POMPA TESİSATI / HYDRAULIC MAIN PUMP INSTALLATION	041 – 042
HİDROLİK ANA POMPA PARÇALARI / HYDRAULIC MAIN PUMP PARTS	043 – 046
HİDROLİK ANA POMPA KEÇE TAKIMI / SEAL KIT, HYDRAULIC MAIN PUMP	047 – 048
HİDROLİK YAĞ TANKI / HYDRAULIC OIL TANK	049 – 050
DİREKSİYON SİSTEMİ / STEERING SYSTEM (M542)	051 – 052
DİREKSİYON SİSTEMİ / STEERING SYSTEM (M544)	053 – 054
FREN SİSTEMİ / BRAKE SYSTEM	055 – 056
YÜKLEYİCİ KUMANDA VALFİ PARÇALARI / LOADER VALVE PARTS	057 – 058
YÜKLEYİCİ KUMANDA VALFİ NİPELLERİ / LOADER VALVE NIPPLES	059 – 060
YÜKLEYİCİ KUMANDA VALFİ HORTUMLARI / LOADER VALVE HOSES	061 – 062
YÜKLEYİCİ KUMANDA VALFİ LEVYELERİ / LOADER VALVE CONTROLS	063 – 064
KAZICI KUMANDA VALFİ PARÇALARI / BACKHOE VALVE PARTS	065 – 066
KAZICI KUMANDA VALFİ NİPELLERİ / BACKHOE VALVE NIPPLES	067 – 068
KAZICI KUMANDA VALFİ LEVYELERİ / BACKHOE VALVE CONTROLS	069 – 070
KIRICI VALFİ NİPELLERİ / BREAKER VALVE NIPPLES	071 – 072
KIRICI VALFİ LEVYELERİ / BREAKER VALVE CONTROLS	073 – 074
KIRICI & TELESKOBİK VALFİ NİPELLERİ / BREAKER & EXTENDING VALVE NIPPLES	075 – 076
KIRICI & TELESKOBİK VALFİ LEVYELERİ / BREAKER & EXTENDING VALVE CONTROLS	077 – 078
HİDROLİK YAĞ TOPLAYICI TESİSATI / HYDRAULIC OIL ADAPTER INSTALLATION	079 – 080
KAZICI BOM SİLİNDİRİ HORTUM TESİSATI / BACKHOE BOOM RAM INSTALLATION	081 – 082
KAZICI KOL SİLİNDİRİ HORTUM TESİSATI / BACKHOE ARM RAM INSTALLATION	083 – 084
TELESKOBİK KOL SİLİNDİRİ HORTUM TESİSATI / EXTENDING DIPPER RAM INSTALLATION	085 – 086
KAZICI KEPÇE SİLİNDİRİ HORTUM TESİSATI (STANDART KAZICI KOL) / BACKHOE BUCKET CYLINDER INSTALLATION (STANDARD BACKHOE ARM)	087 – 088
KAZICI KEPÇE SİLİNDİRİ HORTUM TESİSATI (TELESKOBİK KAZICI KOL) / BACKHOE BUCKET CYLINDER INSTALLATION (EXTENDING DIPPER)	089 – 090
KIRICI HATTI HORTUM TESİSATI (STANDART KAZICI KOL) / BREAKER INSTALLATION (STANDARD BACKHOE ARM)	091 – 092
KIRICI HATTI HORTUM TESİSATI (TELESKOBİK KAZICI KOL) / BREAKER INSTALLATION (EXTENDING DIPPER)	093 – 094
DENGE AYIĞI SİLİNDİRİ HORTUM TESİSATI / STABILIZER RAM INSTALLATION	095 – 096
SIKTIRMA HİDROLİK TESİSATI / COMPRESSION HYDRAULIC INSTALLATION	097 – 098
DÖNÜŞ SİLİNDİRİ HİDROLİK HORTUM TESİSATI / KINGPOST RAM HYDRAULIC HOSES INSTALLATION	099 – 100
KAZICI HORTUM KELEPÇELERİ / BACKHOE HOSE CLAMPS	101 – 102

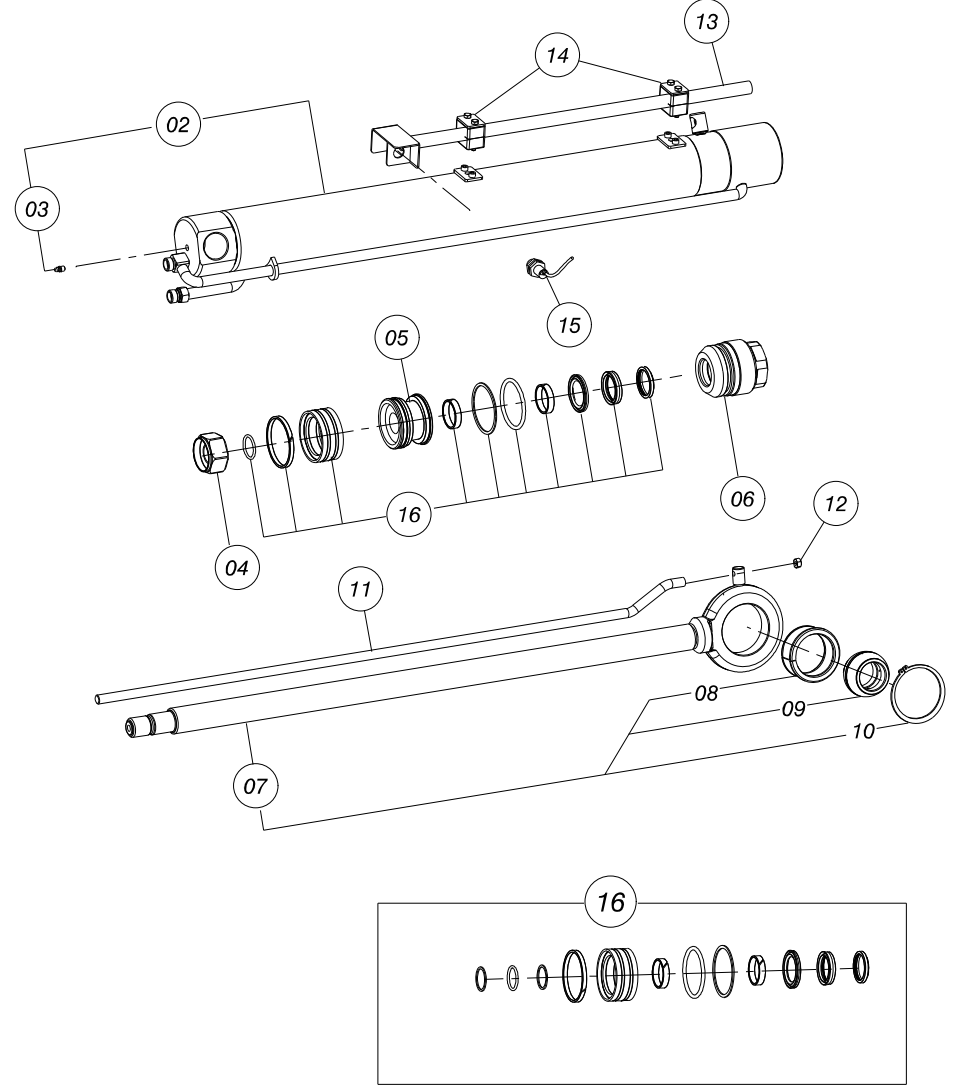
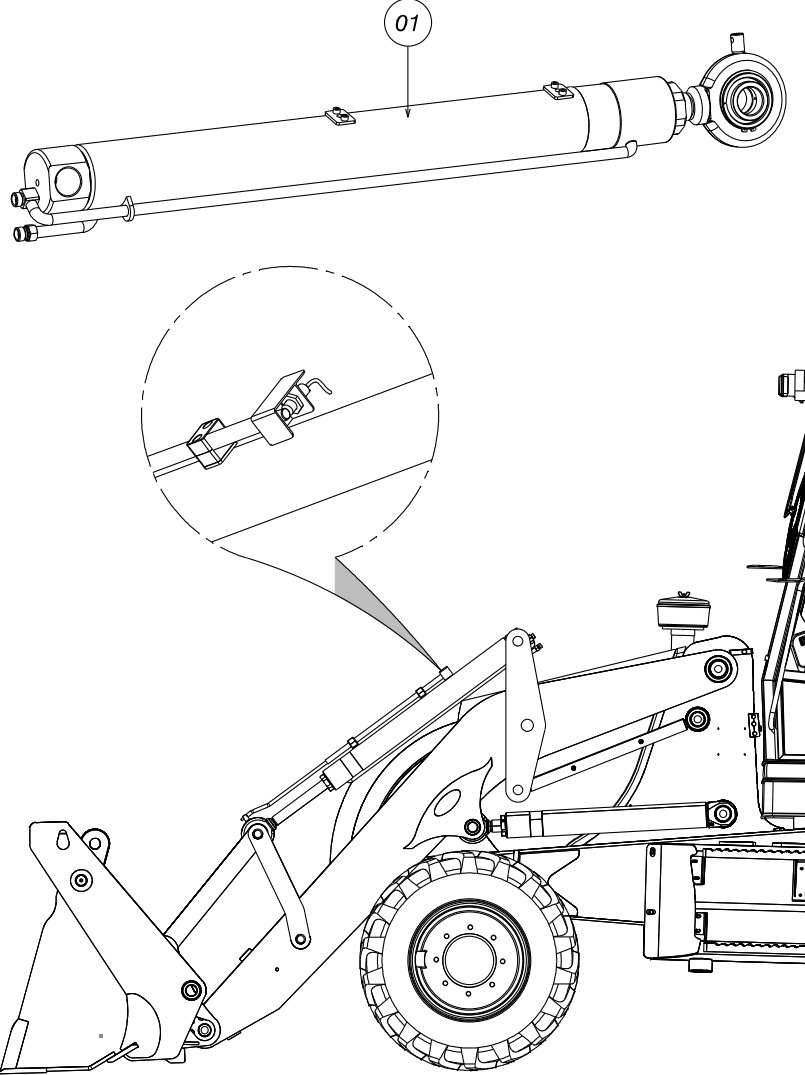


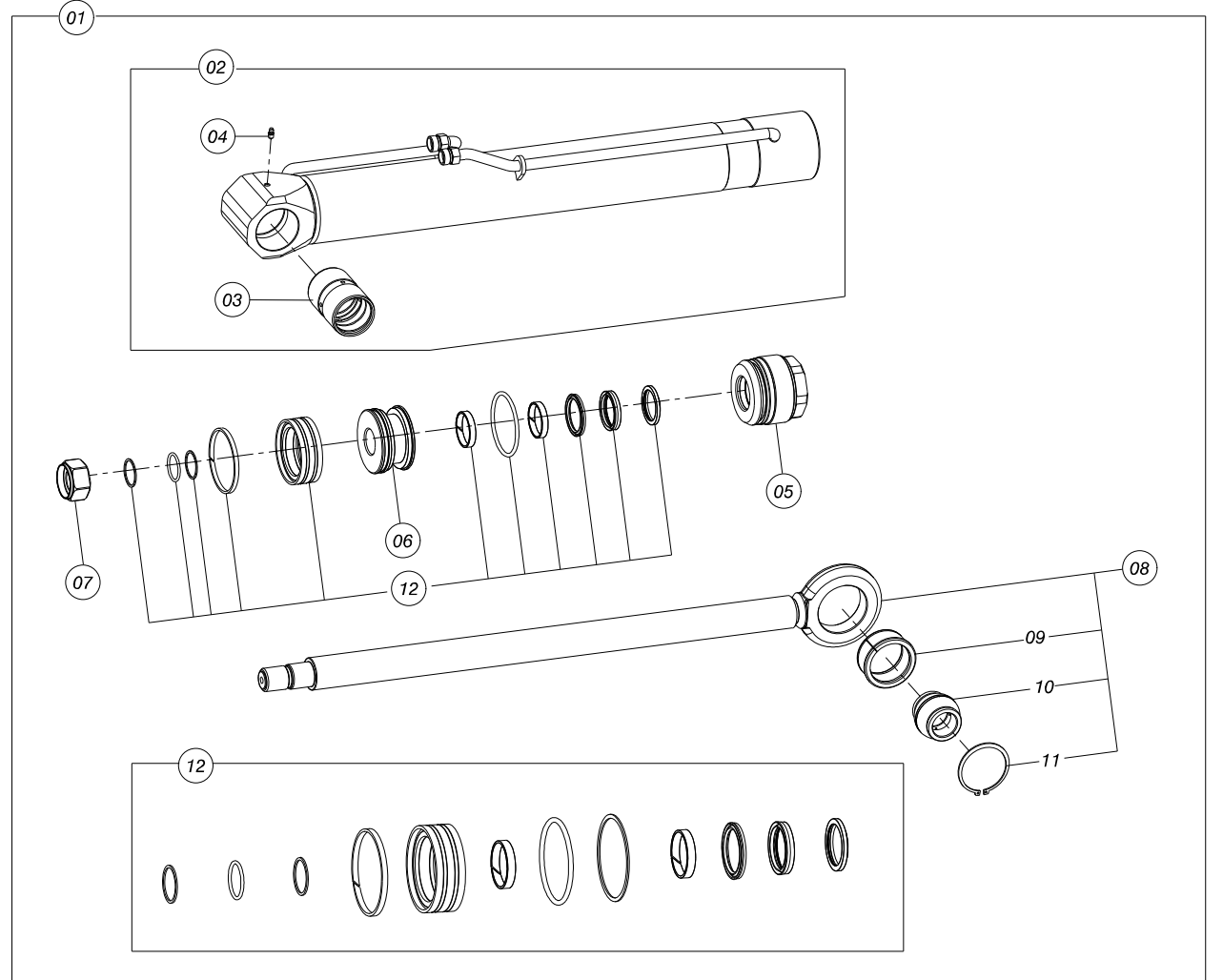
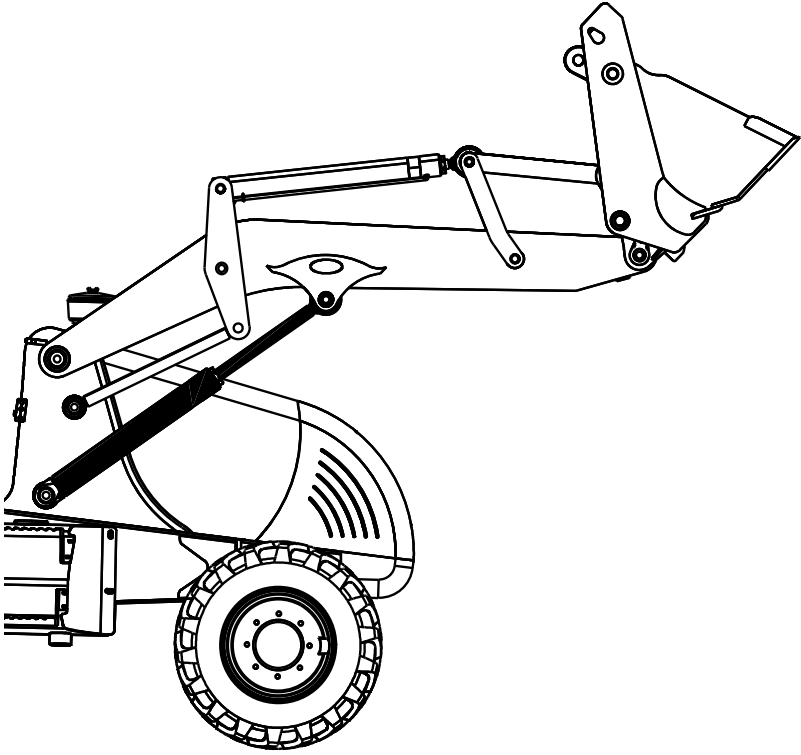
AÇILIR KEPÇE SİLİNDİRİ, SOL / CLAMSHOVEL RAM, LEFT

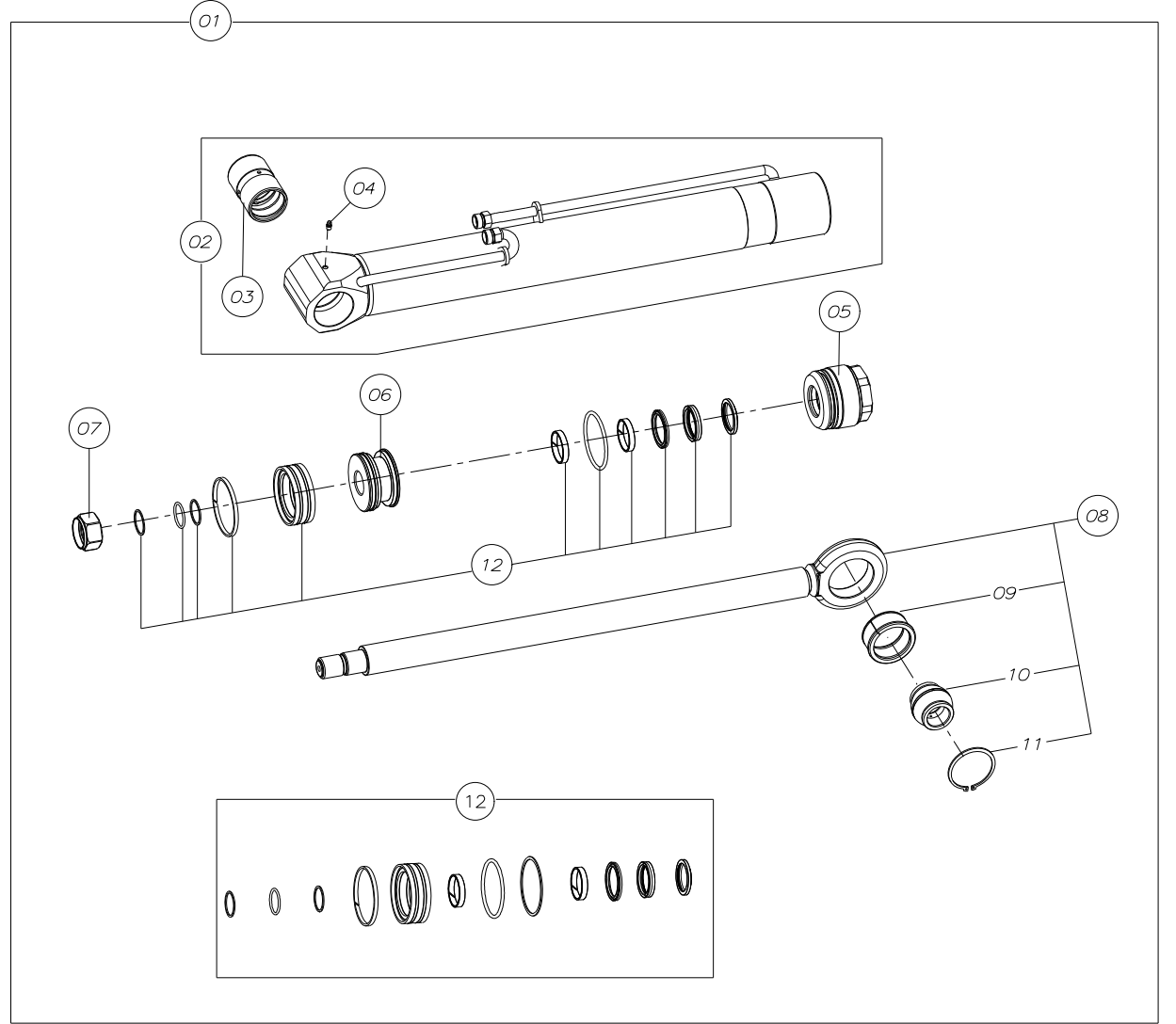
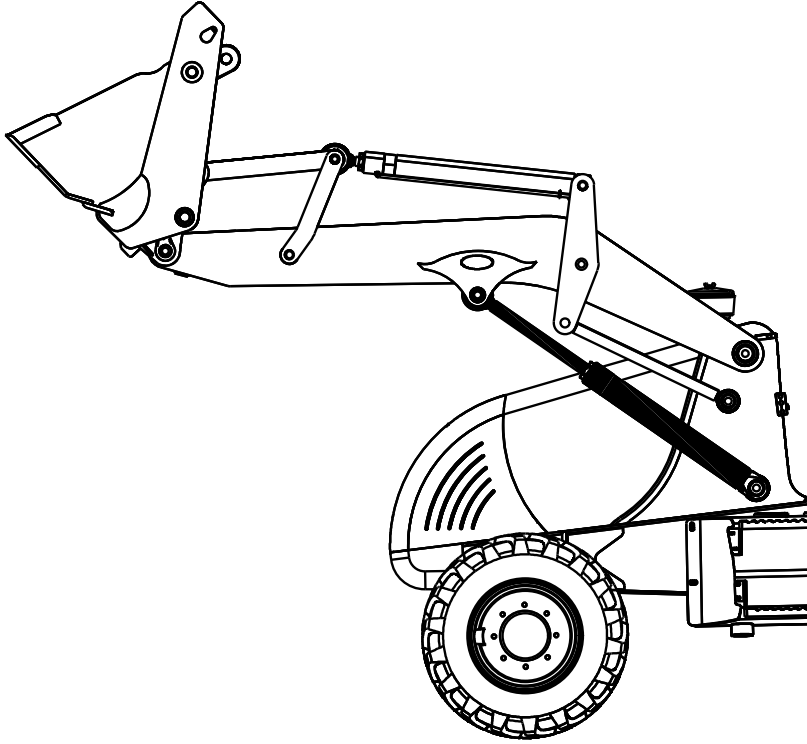




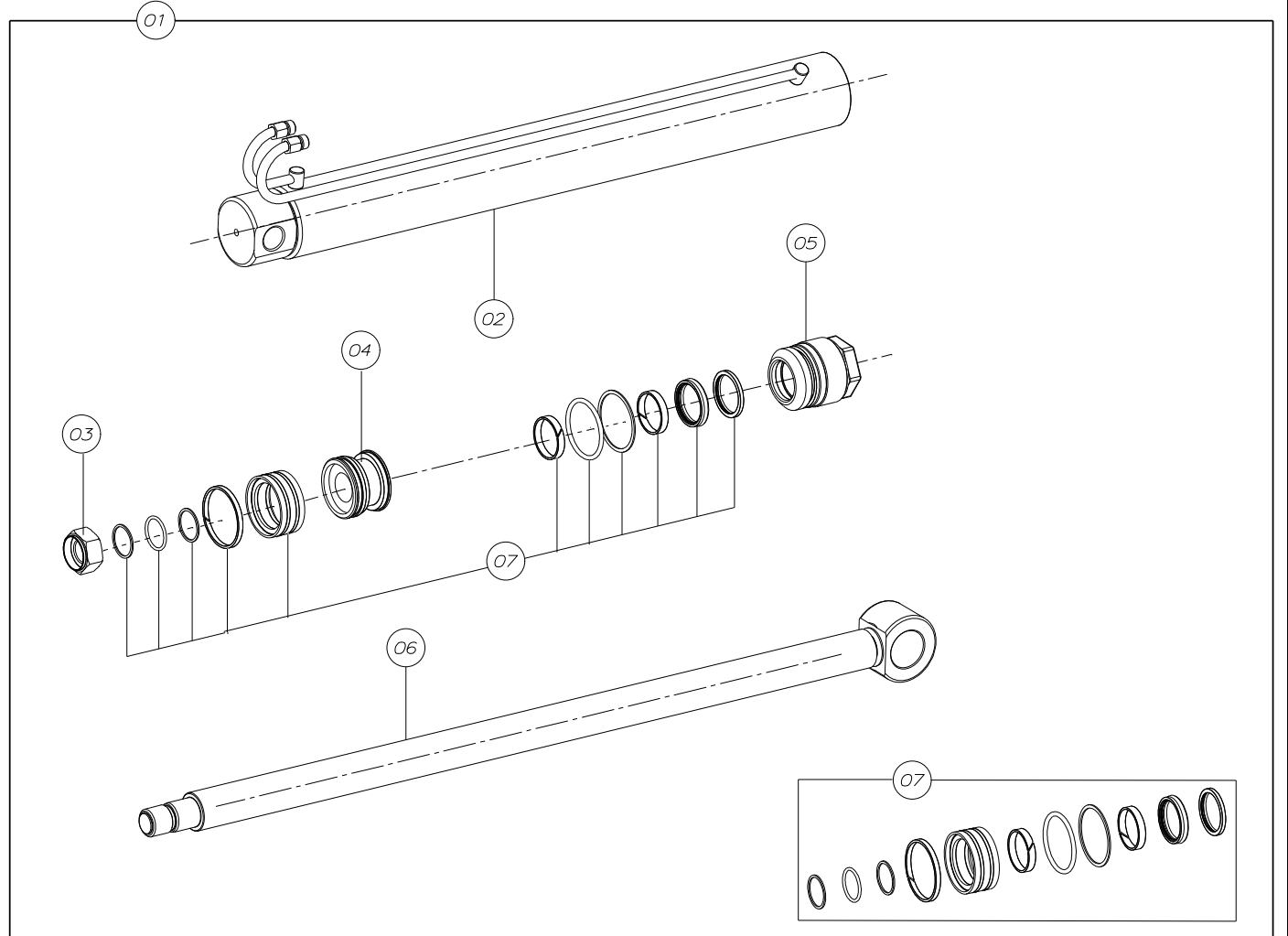
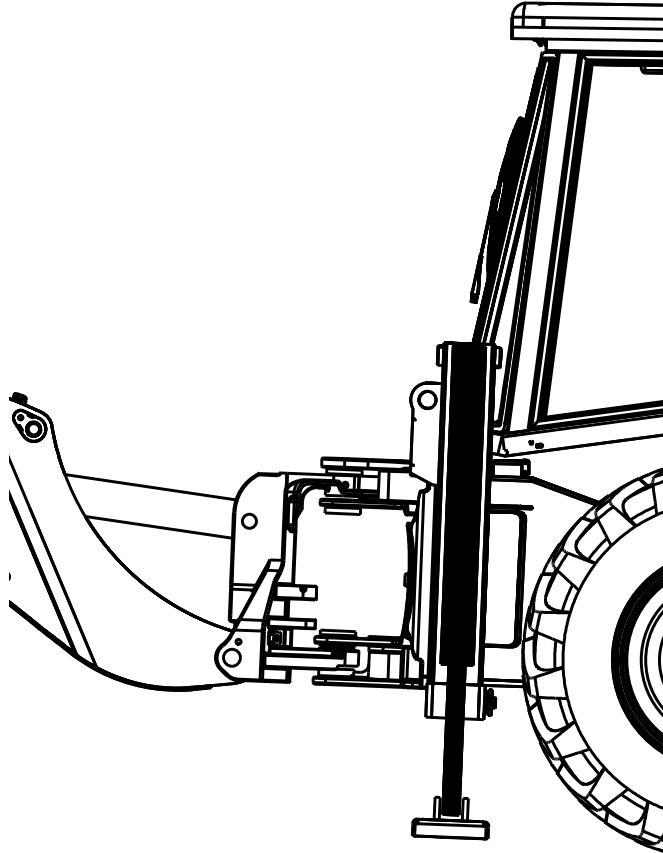
YÜKLEYİCİ DEVİRİCİ SİLİNDİRİ, SOL / *LOADER SHOVEL RAM, LEFT*



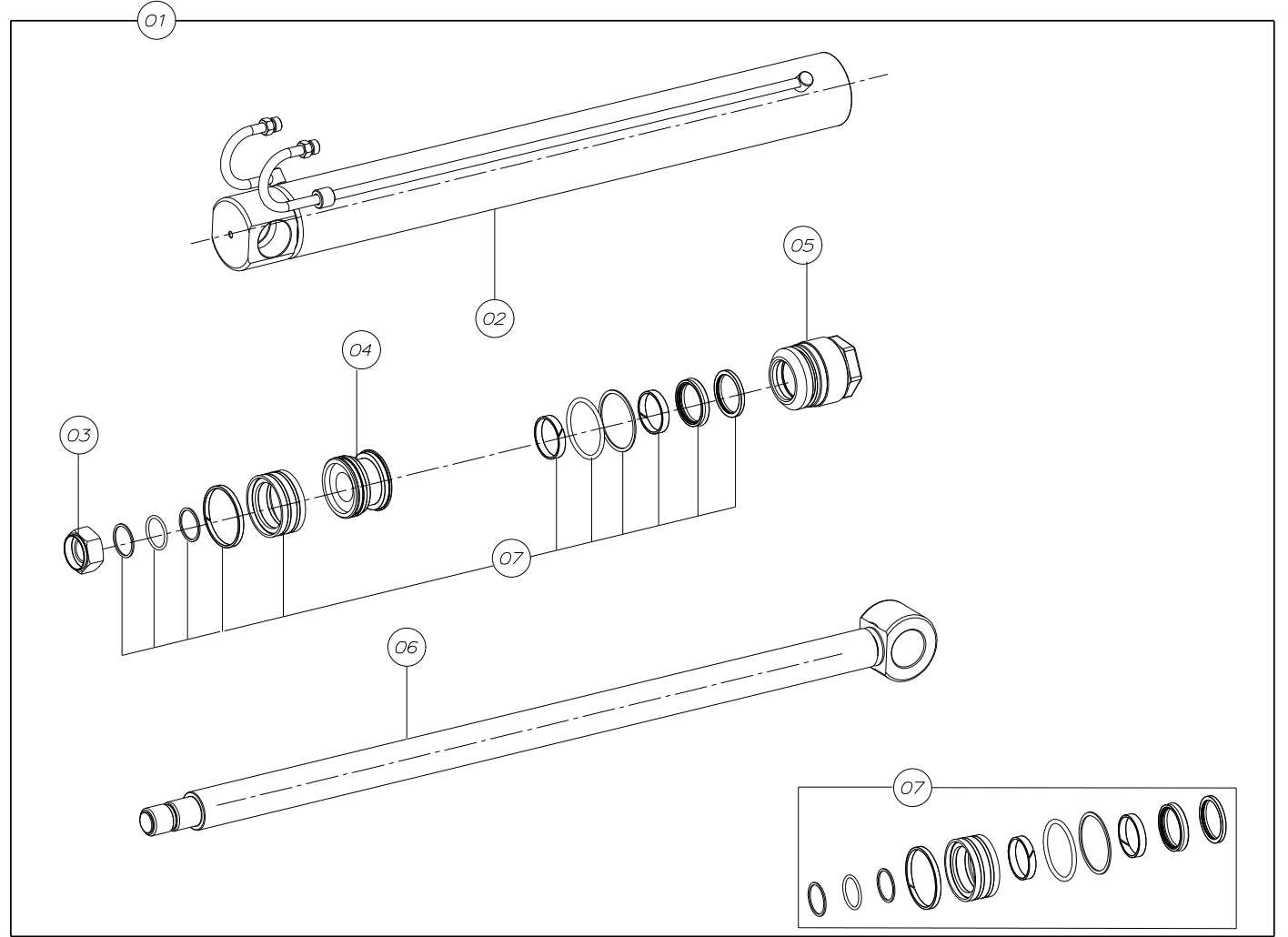
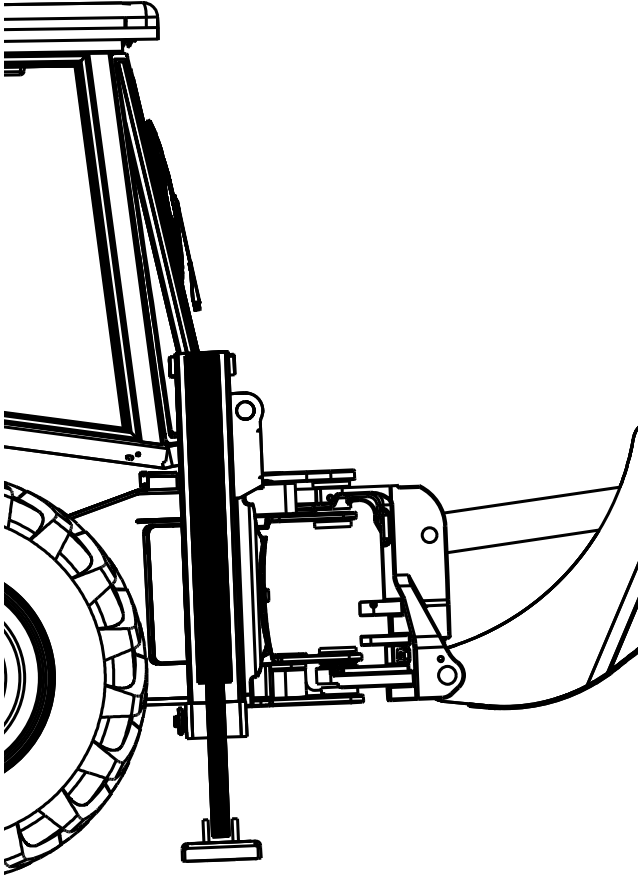


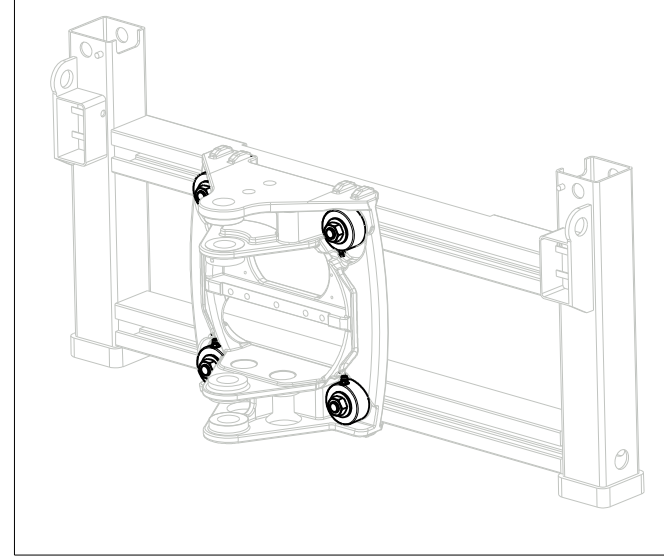
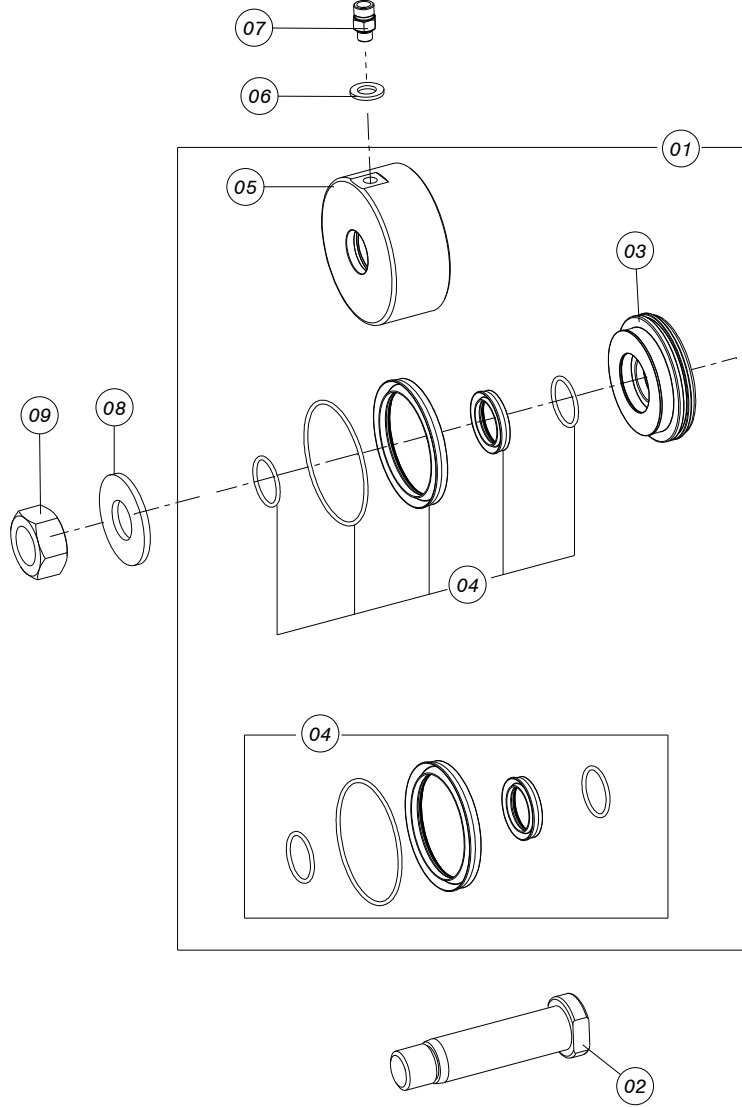


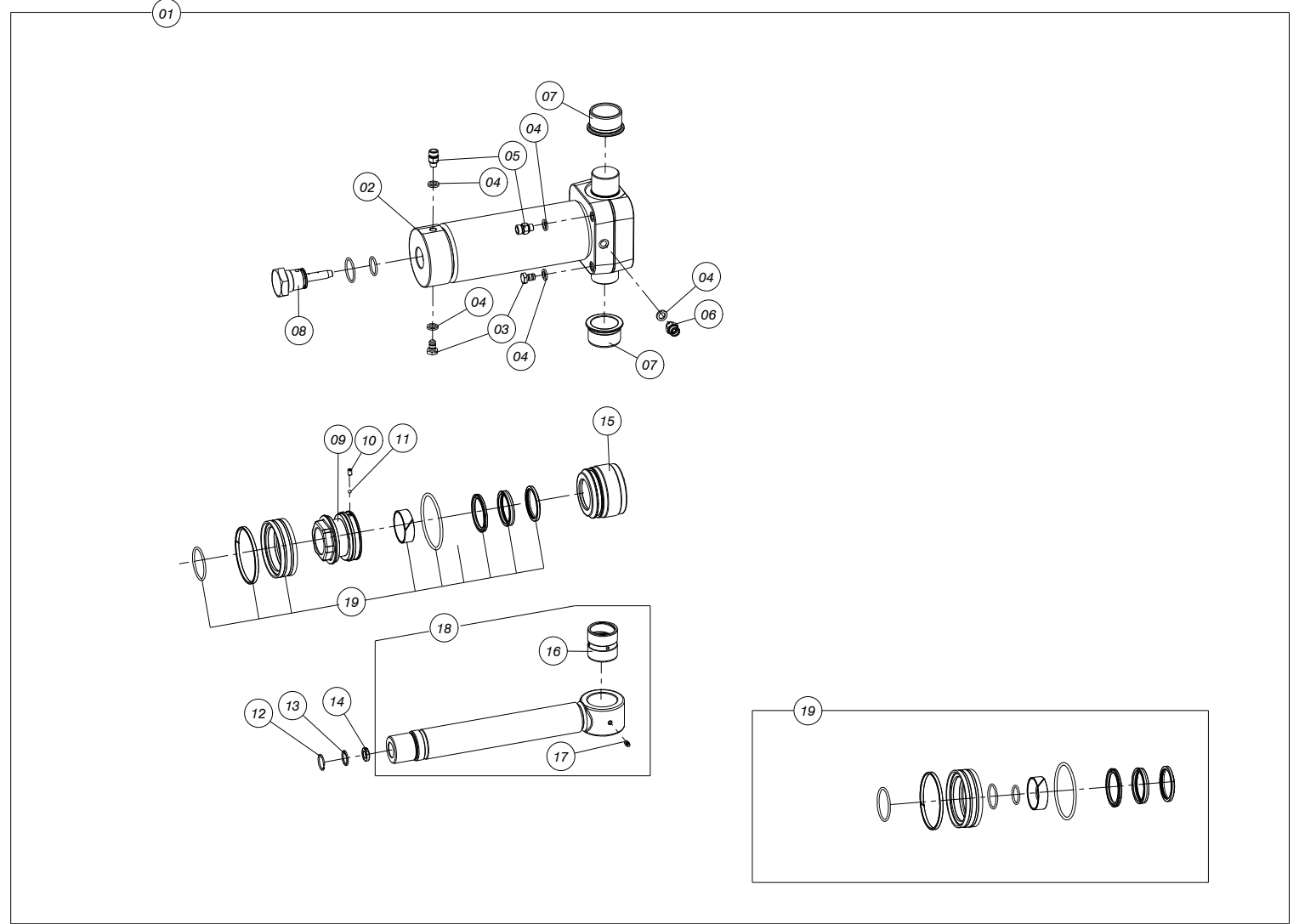
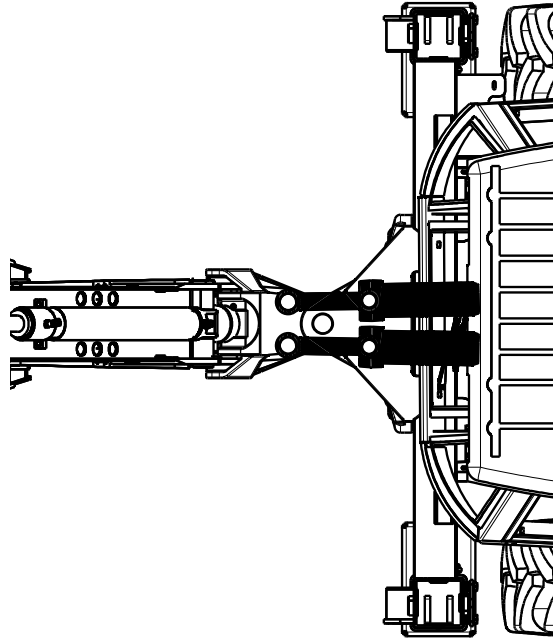
DENGE AYAđI SİLİNDİRİ, SAđ / STABILIZER RAM, RIGHT



DENGE AYAđI SİLİNDİRİ, SOL / STABILIZER RAM, LEFT



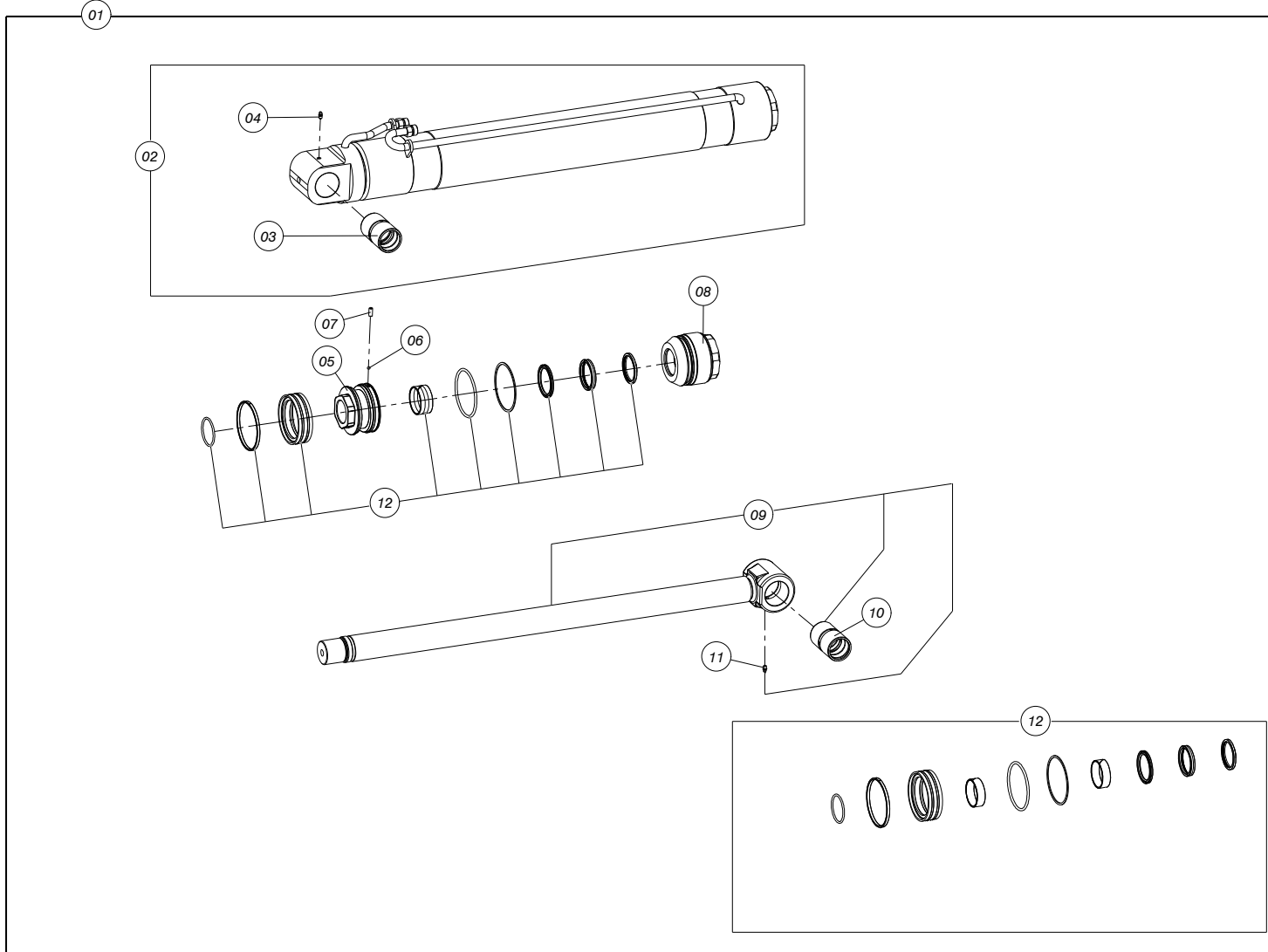


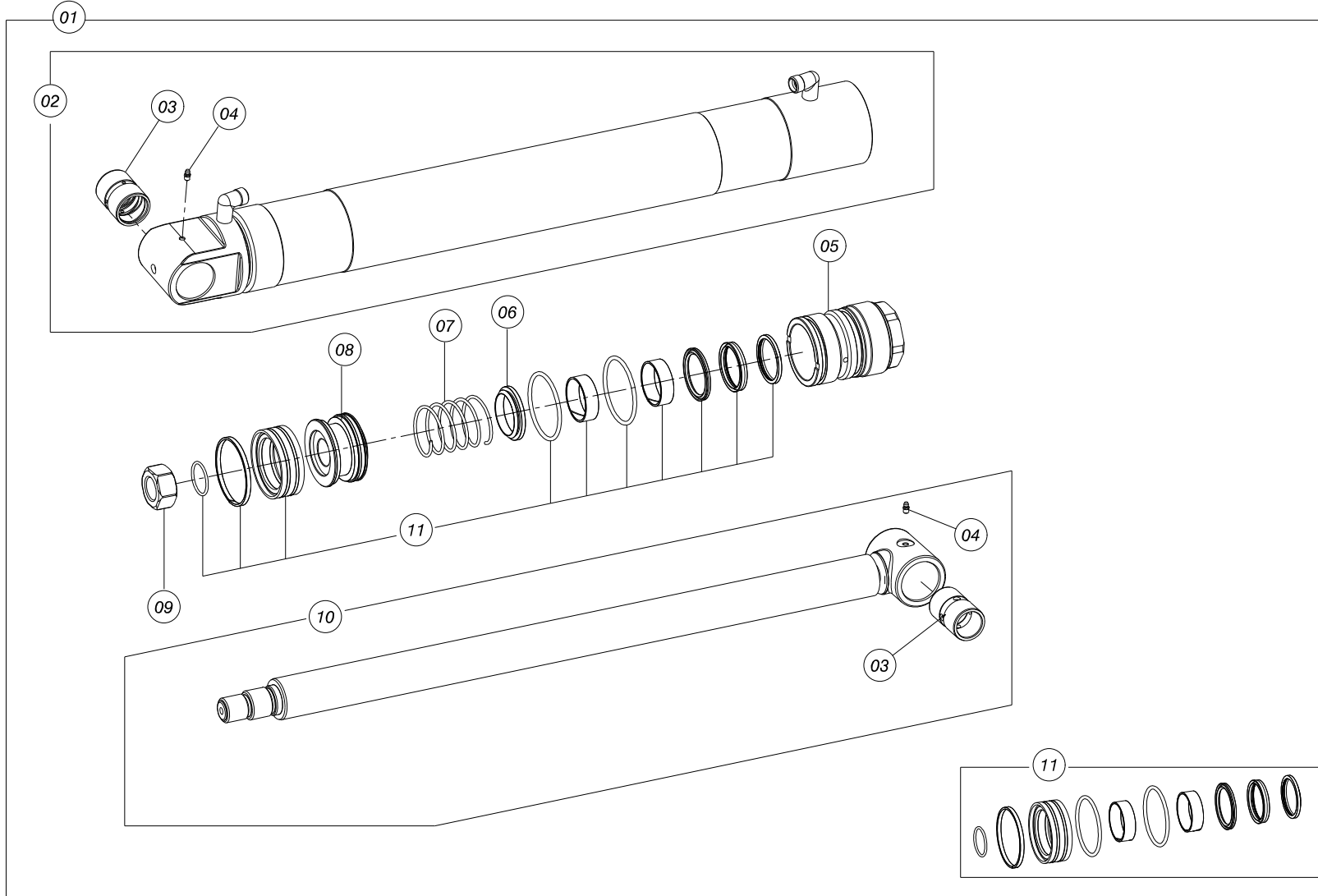


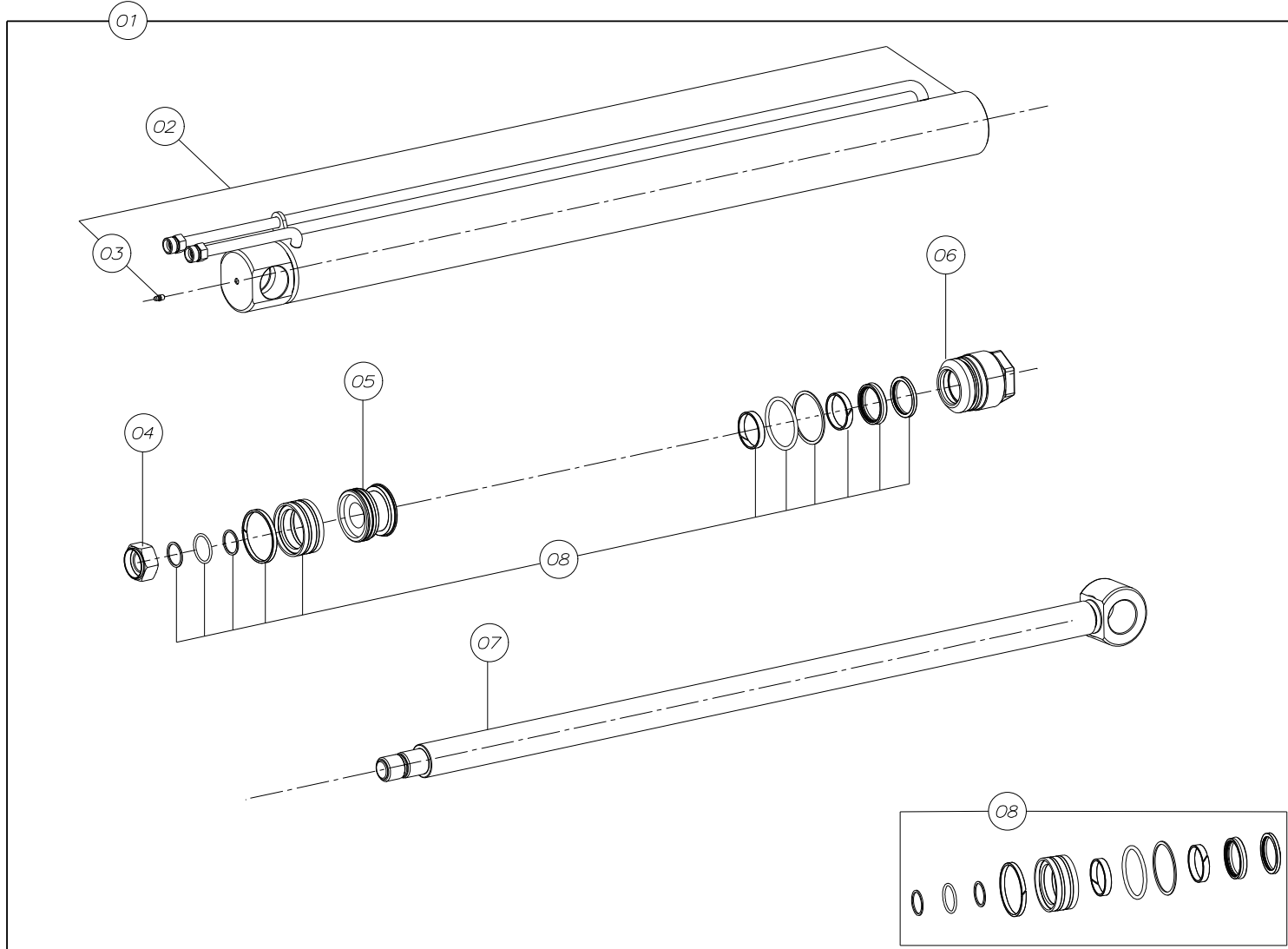
DÖNÜŞ SİLİNDİRİ (SAĐ - SOL) / KINGPOST RAM (RIGHT - LEFT)

POS	YEDEK PARÇA KODU SPARE PART CODE	REFERANS KODU REFERENCE CODE	PARÇA TANIMI	DESCRIPTION	MİKTAR QTY.	NOT NOTE
1	5442300		SİLİNDİR KOMPLESİ, DÖNÜŞ	RAM ASSEMBLY, KINGPOST	1	
2	54223105		SİLİNDİR BORUSU	CYLINDER	1	Ø100 x Ø120 x 436 (SAĐ - SOL / RIGHT-LEFT)
3	5422302		TAPA	PLUG	2	1/4"
4	5422814		PUL	WASHER	5	1/4" KAUÇUKLU
5	5427124		NİPEL	NIPPLE	2	1/4" - M18x1.5 AA19 x 34
6	5427126		NİPEL	NIPPLE	1	1/4" - M20x1.5 AA22 x 34
7	5422314		BURÇ, ÇAKMA	BUSH	2	Ø55 x Ø75 x 40 x 35 x Ø65
8	54223107		ADAPTÖR, FRENLEME	ADAPTER	1	Ø8 x Ø12 x M43x2 AA55 x 119
9	54223106		PİSTON	PISTON	1	M55x2 x Ø98 x 74
10	5442351		BİLYA	BALL	1	Ø6
11	5442352		CIVATA	BOLT	1	M8x1.25 x 12, SETÜSKÜR
12	5442350		SEGMAN (YAY HALKASI)	CIRCLIP (RING)	1	Ø2.5 EMNİYET / SAFETY
13	5442310		PUL	WASHER	1	25.4 x 29.9 x 2.5
14	5442311		BURÇ, FRENLEME	BUSH	2	27 x 20.2, ÇİFT KANALLI, SARI
15	5422340		BOĞAZ	CAP	1	M104x2 x 73
16	5422325		BURÇ, ÇAKMA	BUSH	1	Ø50 x Ø60 x 60
17	5420405		GRESÖRLÜK	GREASE NIPPLE	1	5/16" UNF
18	54223103		SİLİNDİR MİLİ, KOMPLE	ROD, RAM ASSY.	1	Ø60 x 457 (SAĐ - SOL / RIGHT-LEFT)
19	5442390		TAMİR TAKIM SETİ	KIT - REPAIR	1	

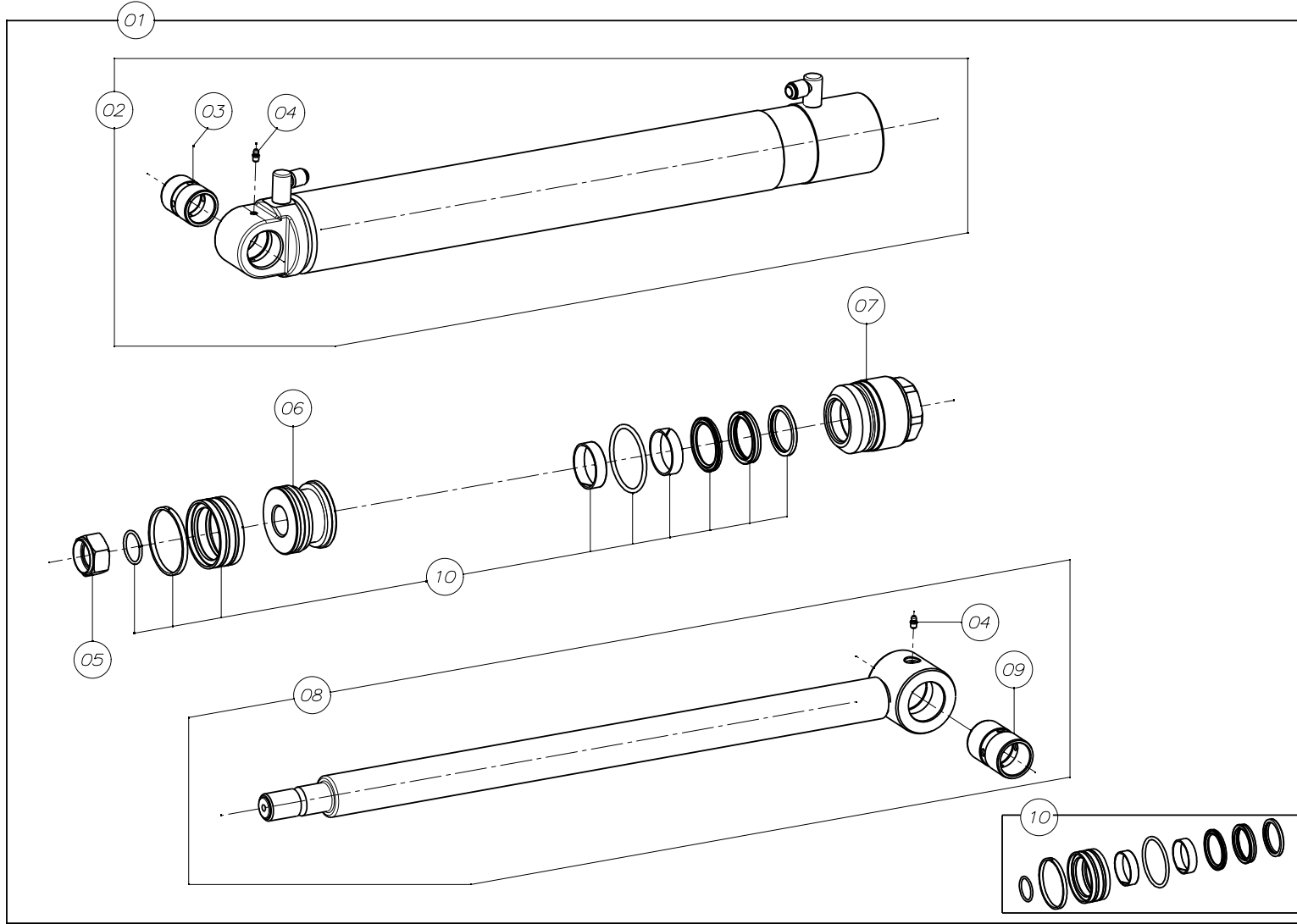
KAZICI BOM SİLİNDİRİ / BACKHOE BOOM RAM



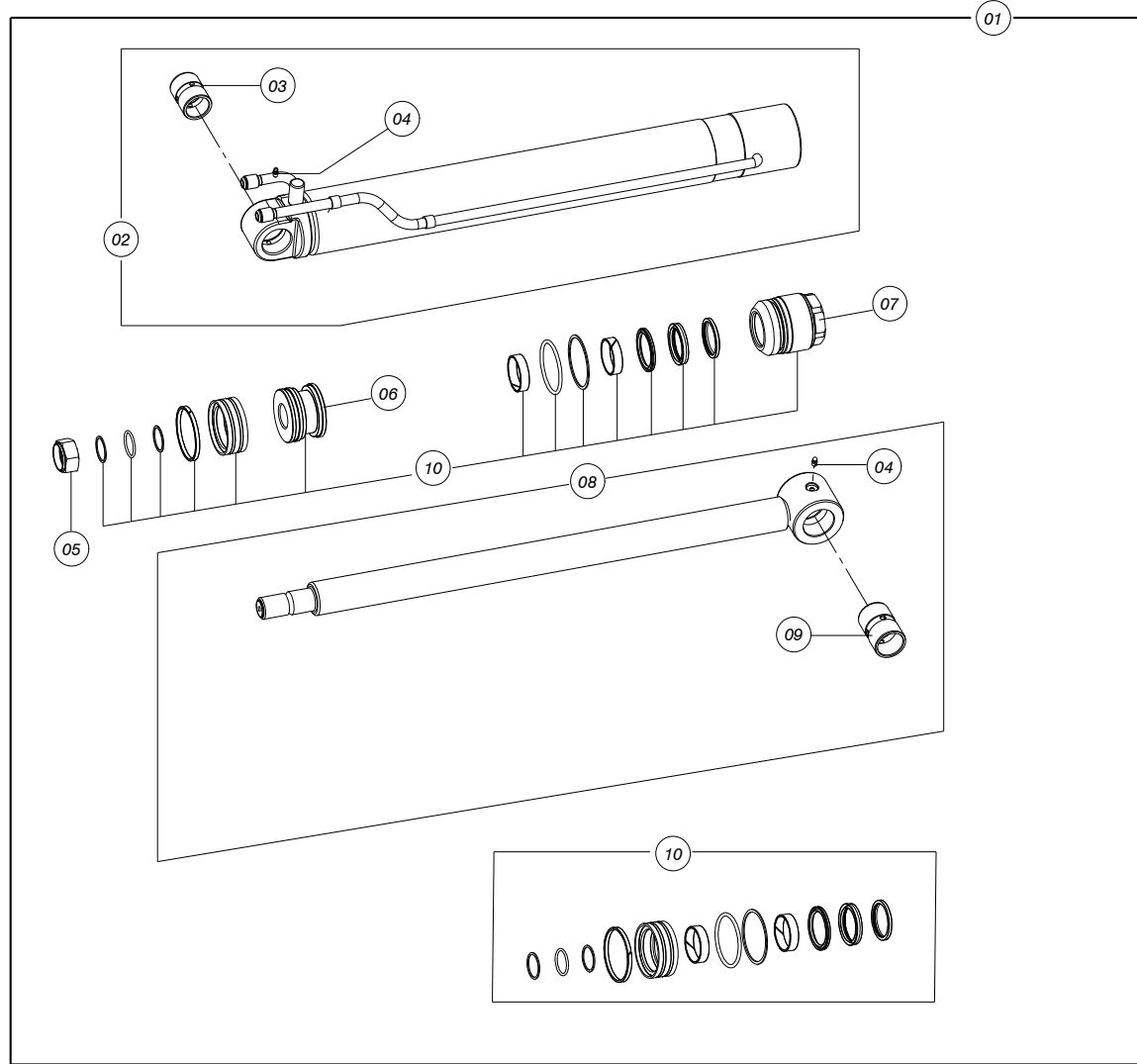




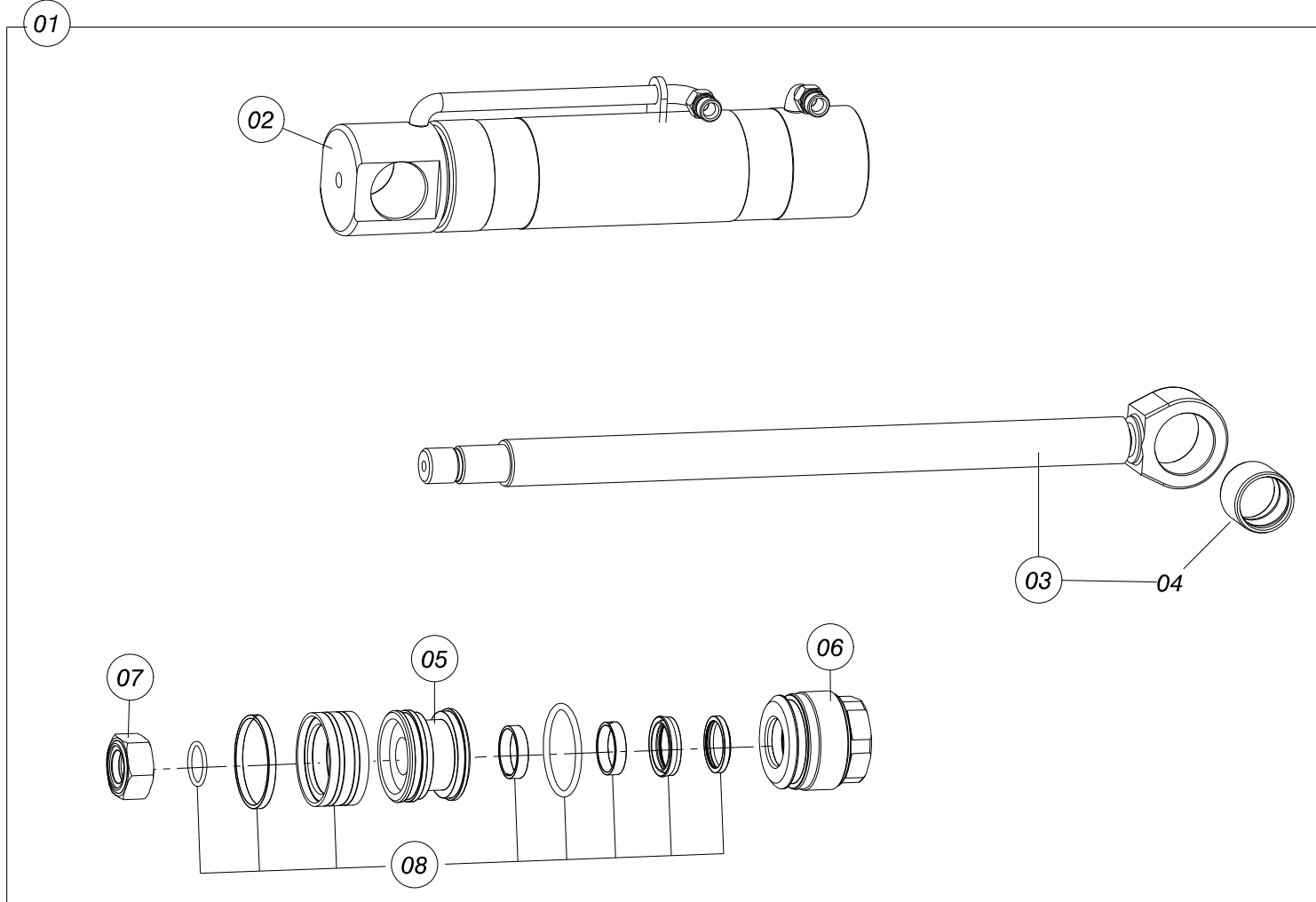
**KAZICI KEPÇE SİLİNDİRİ (STANDART KAZICI KOL) /
BACKHOE BUCKET RAM (STANDARD BACKHOE ARM)**

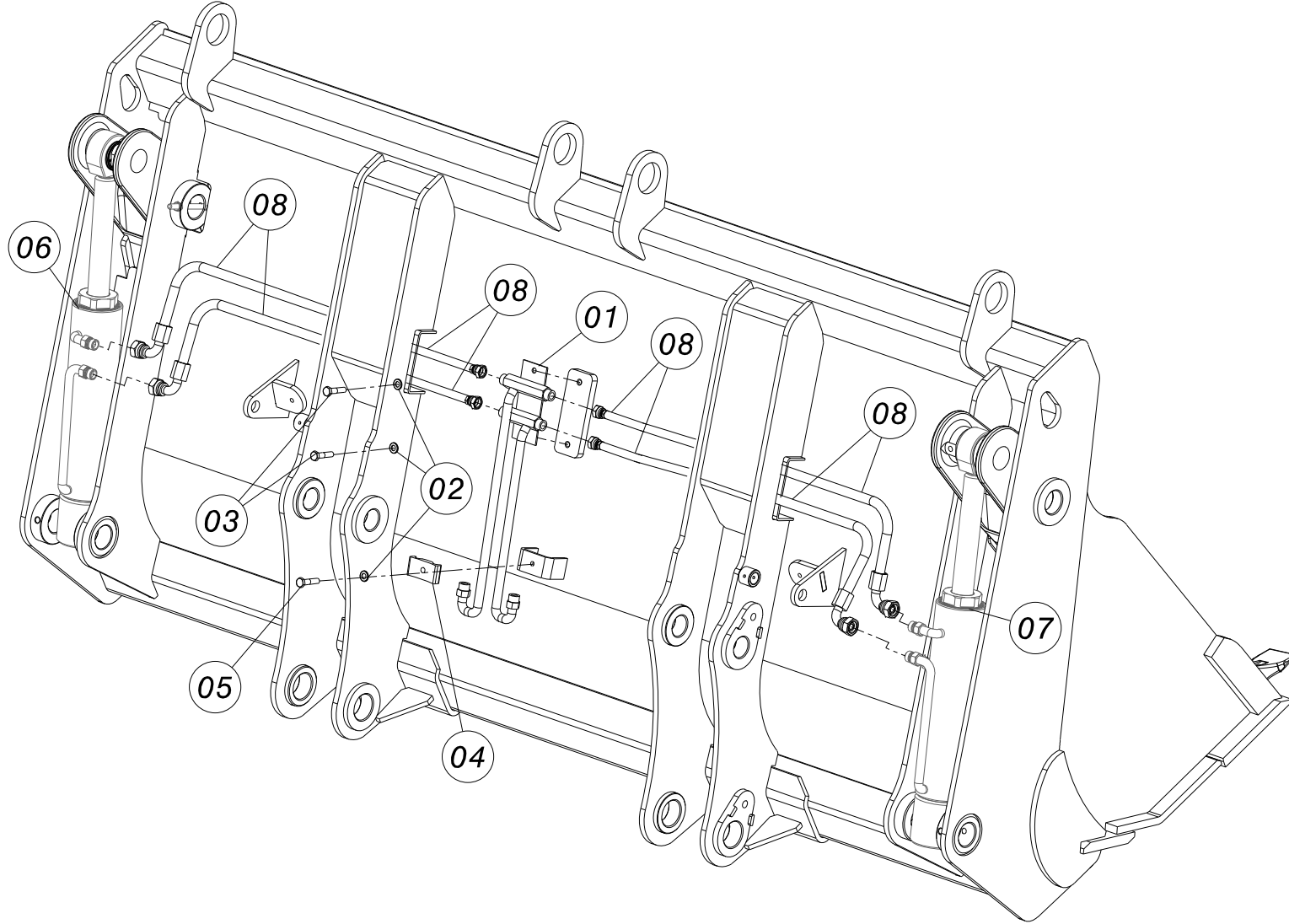


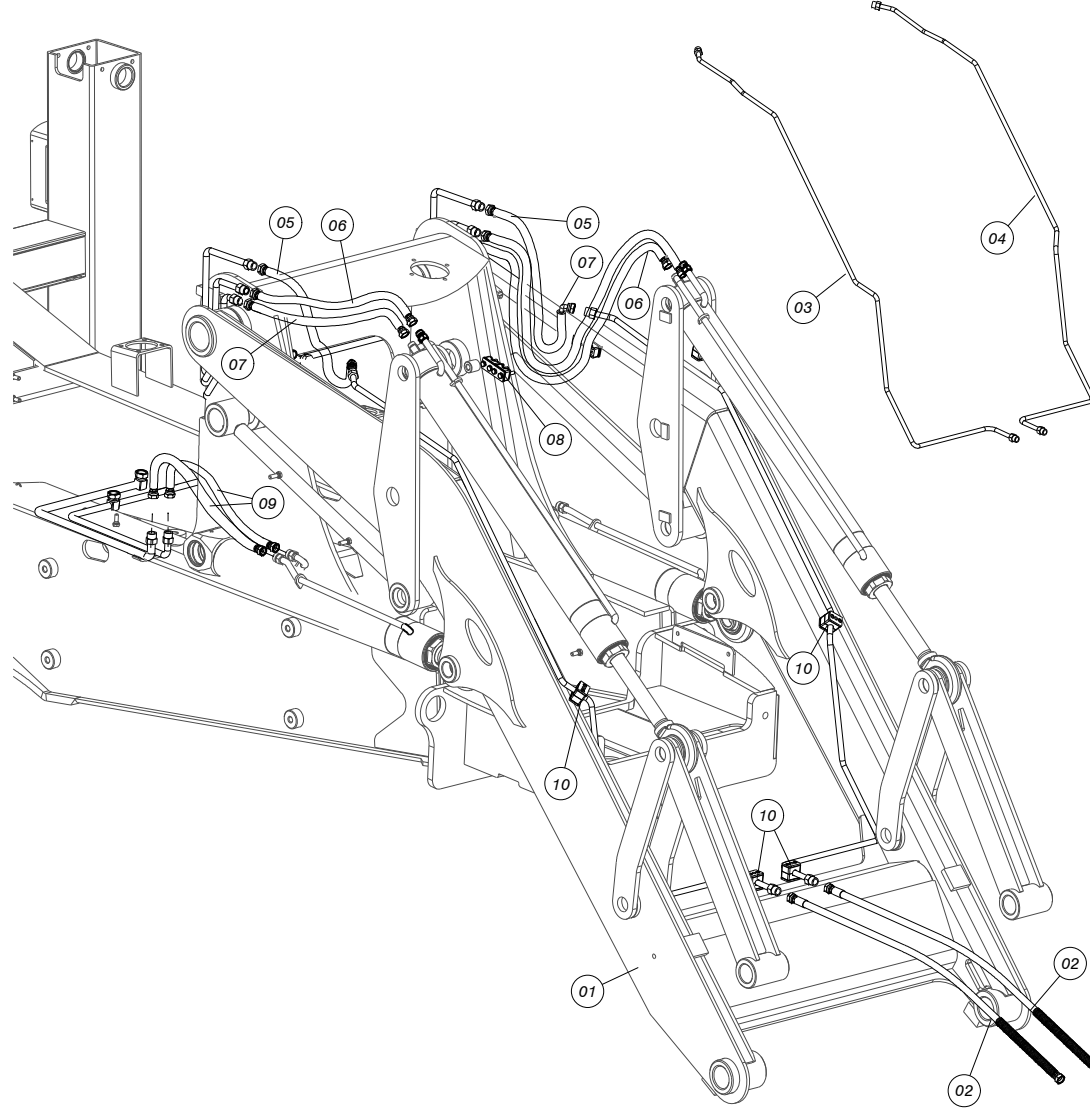
**KAZICI KEPÇE SİLİNDİRİ (TELESKOPİK KAZICI KOL) /
BACKHOE BUCKET RAM (EXTENDING DIPPER)**



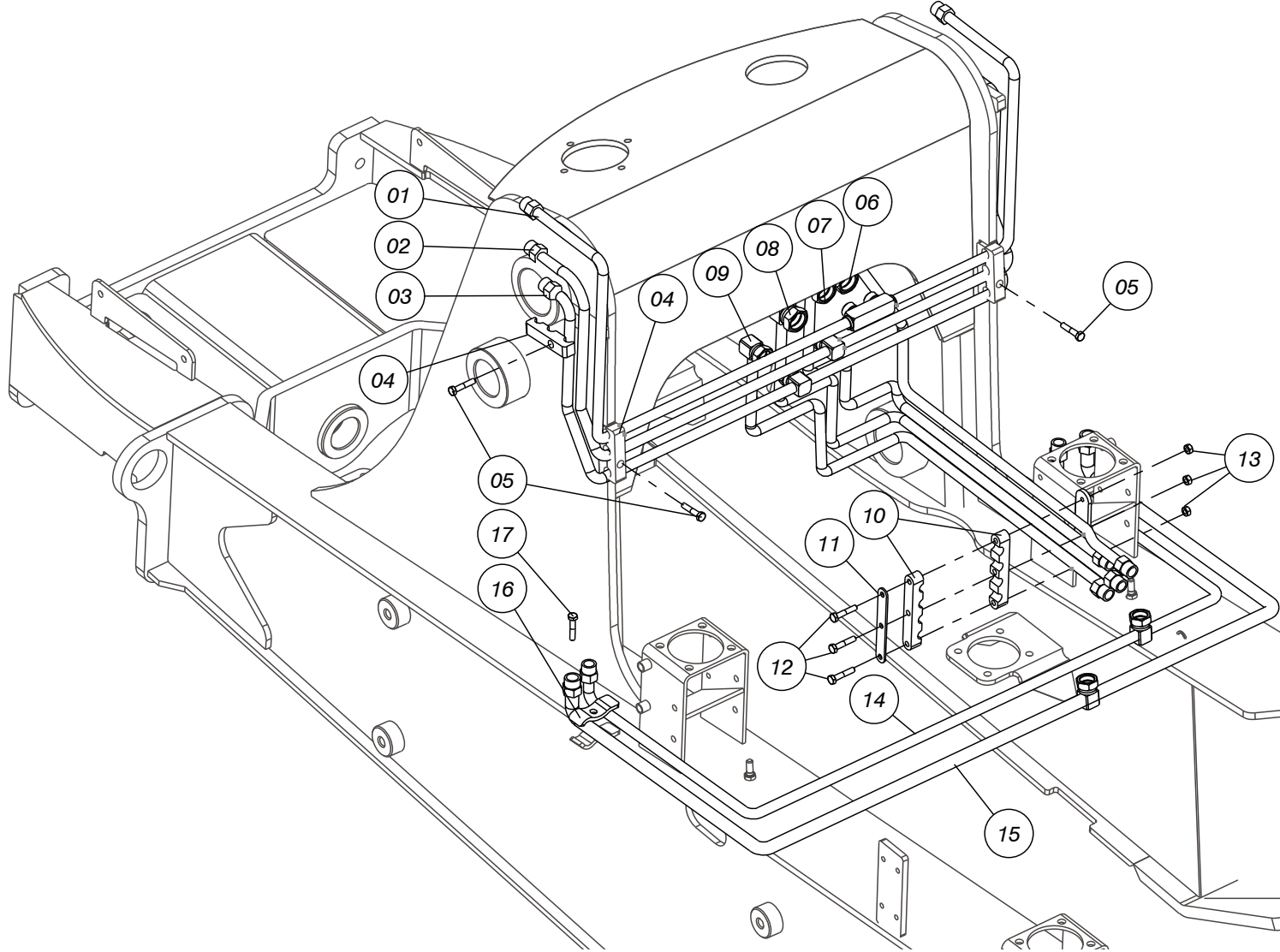
TOMRUK ATAŞMANI SİLİNDİRİ / LOG ATTACHMENT RAM

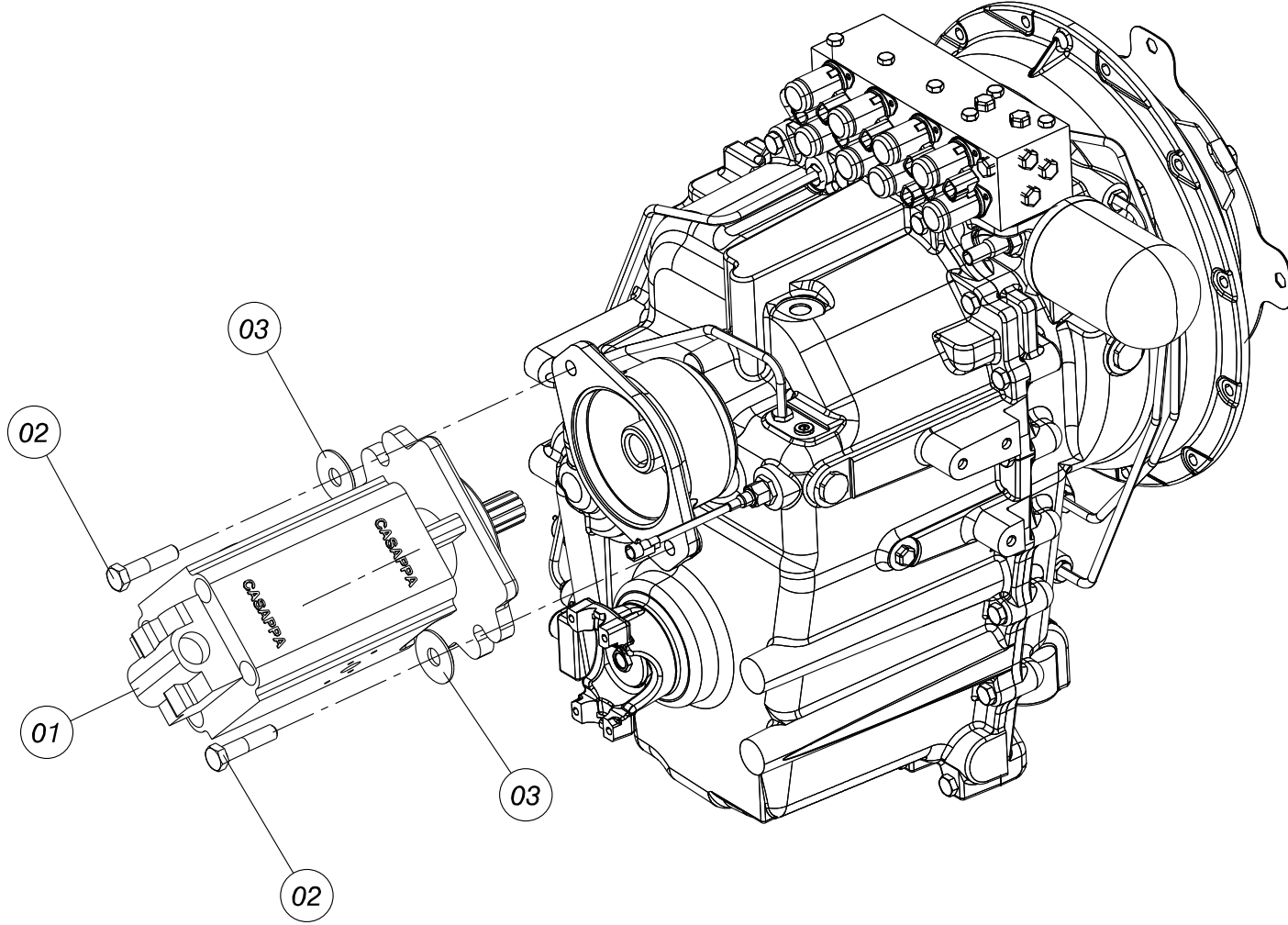


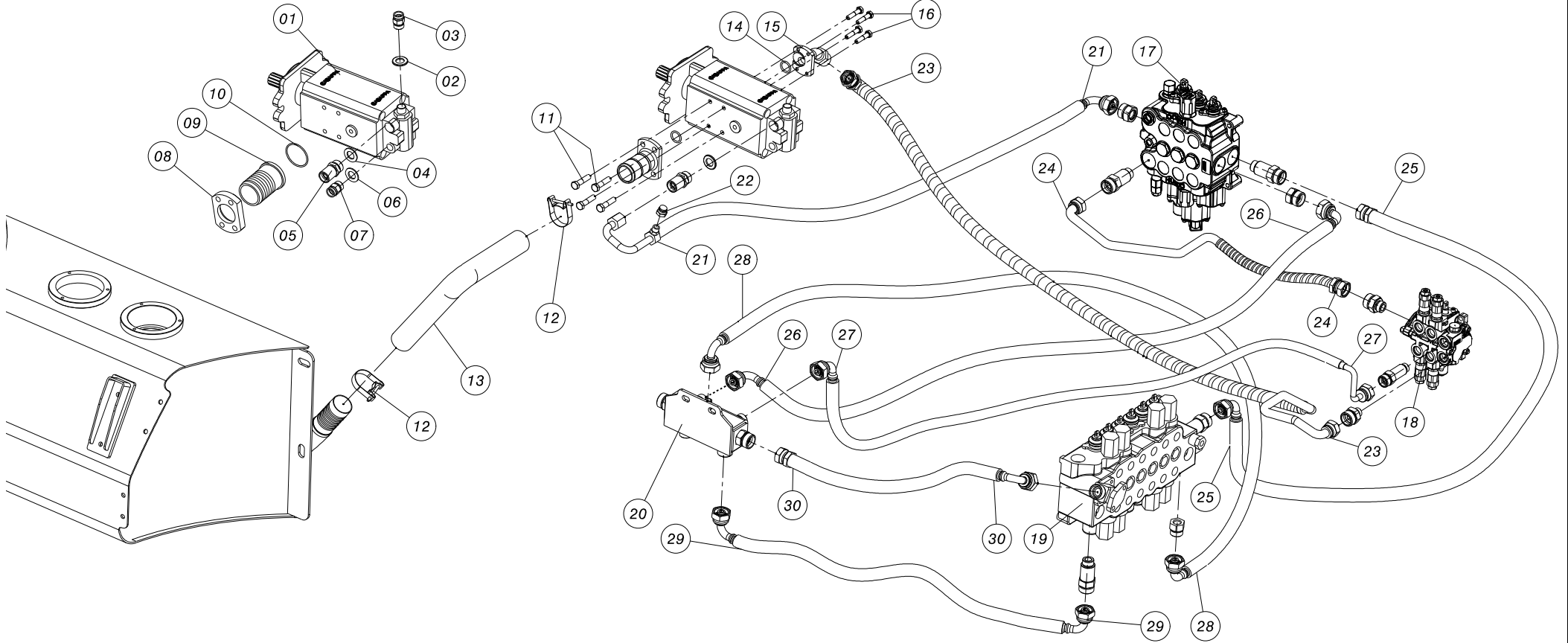




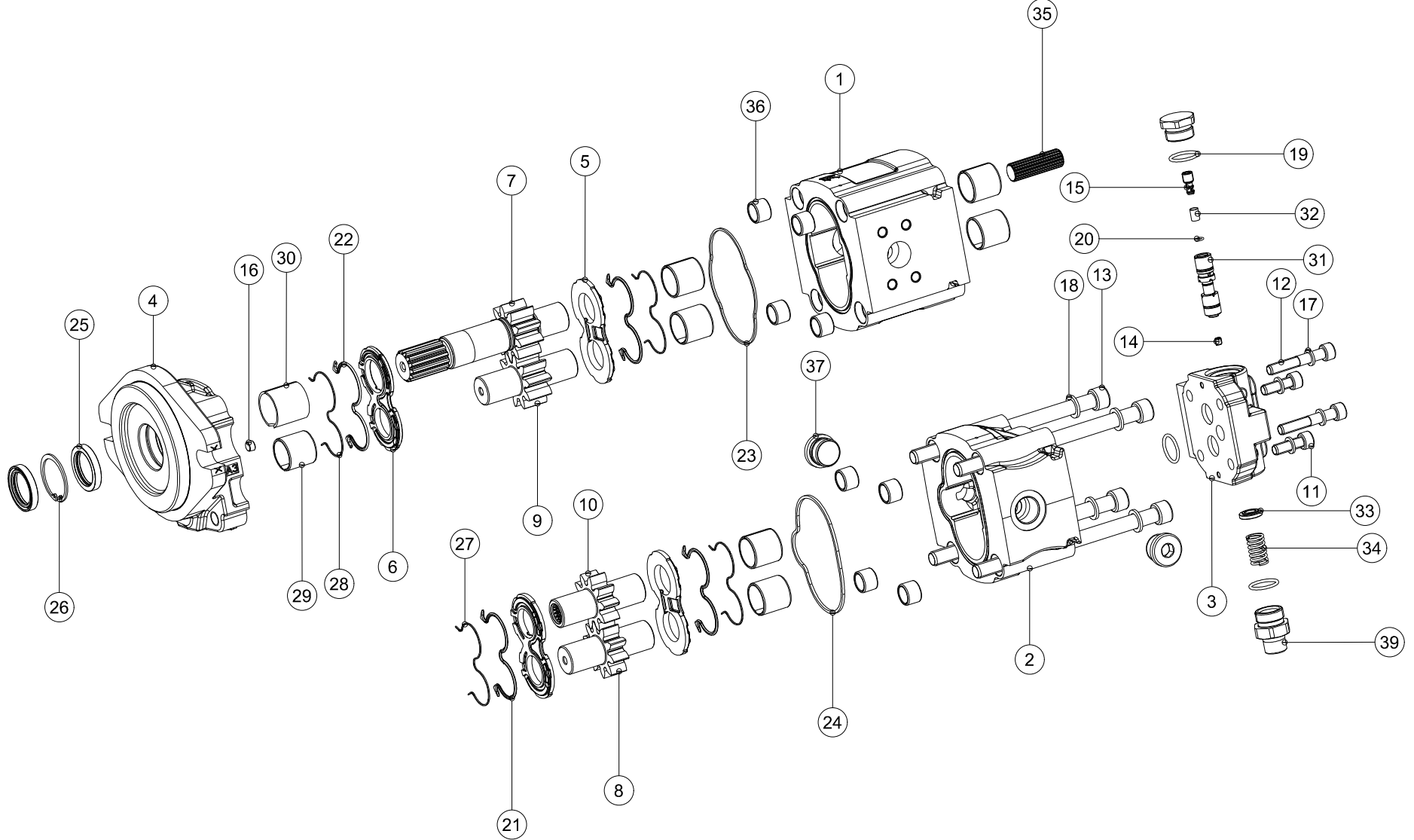
**YÜKLEYİCİ AYAK HİDROLİK TESİSATI /
LOADER ARM BASE HYDRAULIC INSTALLATION**





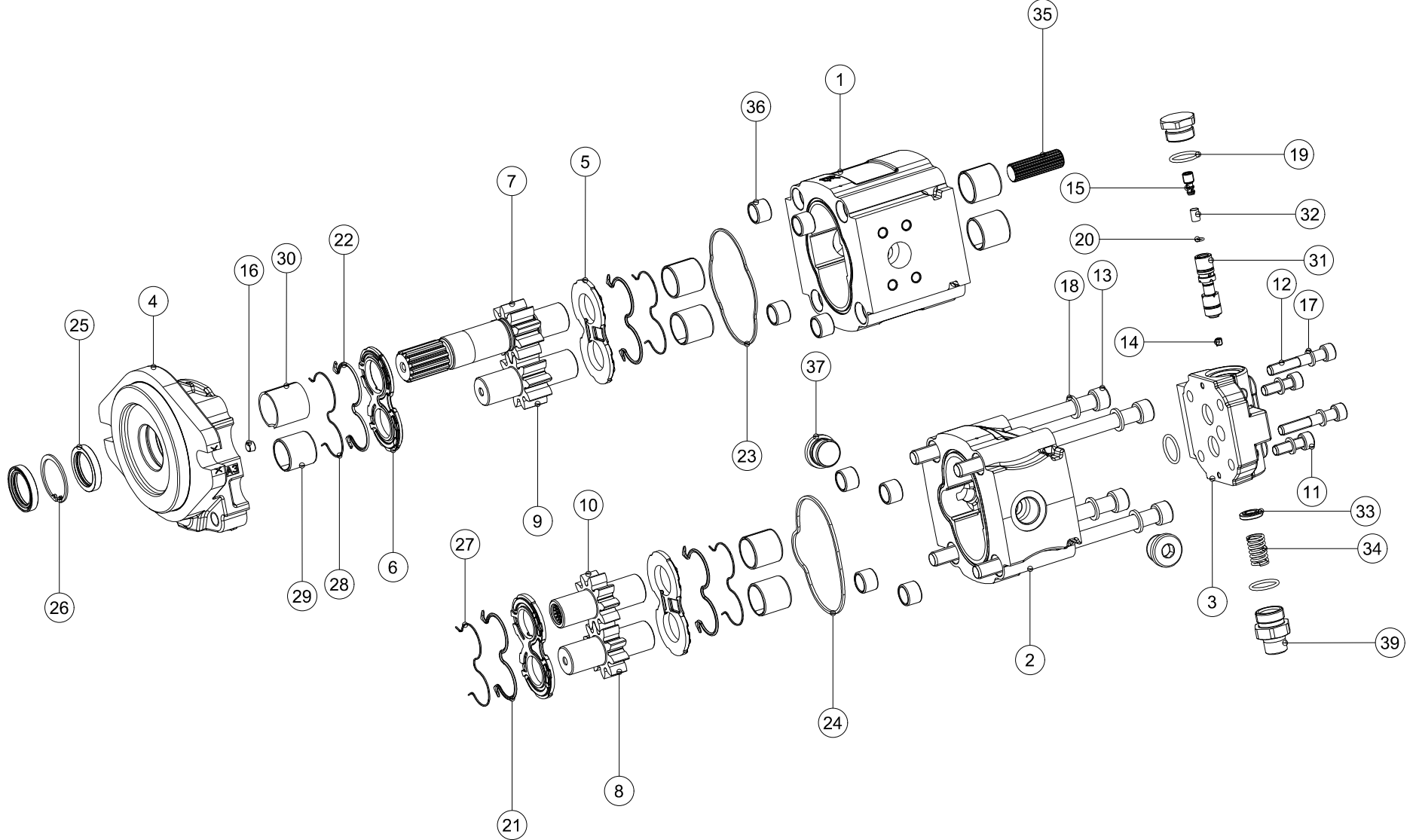


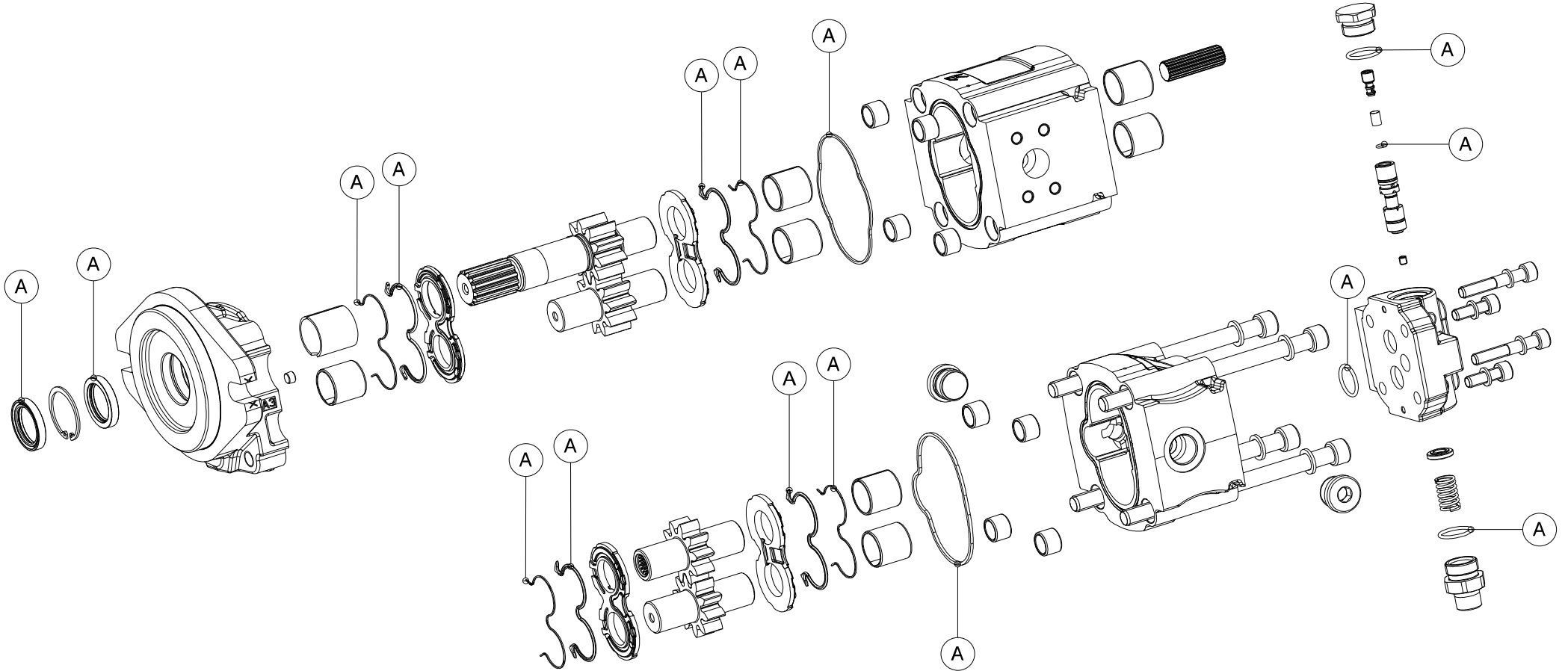
POS	YEDEK PARÇA KODU SPARE PART CODE	REFERANS KODU REFERENCE CODE	PARÇA TANIMI	DESCRIPTION	MİKTAR QTY.	NOT NOTE
1	5424100Y	79932850	HİDROLİK ANA POMPA	HYDAULIC MAIN PUMP	1	KP30.38-A6Q3-LME/MC-M5-BSL/30.
2	5423340		PUL, BAKIR	WASHER	1	¼" G.D.
3	5427124		NİPEL	NIPPLE	1	¼" - M18x1.5 AA19x34
4	5423745		PUL, BAKIR	WASHER	1	½" G.D.
5	5427145		NİPEL	NIPPLE	1	½" - M30x2 AA30x44
6	5421840		PUL, BAKIR	WASHER	1	¾" G.D.
7	5427121		NİPEL	NIPPLE	1	¾" - M18x1.5 AA22x35
8	5427233		FLANŞ	FLANGE	1	1 ½"
9	5427234		ADAPTÖR	ADAPTER	1	2"
10	54212107		O-RİNG	O-RING	1	46.04 x 3.53
11	5420450		CIVATA	BOLT	4	M12 x 35
12	5428159		KELEPÇE	CLAMP	2	59 - 63 SUPRA
13	5427001		HORTUM	HOSE	1	
14	54212108		O-RİNG	O-RING	1	31.34 x 3.53
15	5427232		ADAPTÖR	ADAPTER	1	1" SAE 45° M36x2
16	5421727		CIVATA	BOLT	4	M10 x 25
17	5427500	6600C53	VALF, YÜKLEYİCİ	VALVE, LOADER	1	
18	5427901		VALF, TEKLİ	VALVE	1	Standart Kazıcı Kol ve Kırıcı Tesisatı olan makinalarda kullanıldı It was used in machines, have standard backhoe arm & breaker system
18	5427902		VALF, ÇİFTLİ	VALVE	1	Teleskobik Kazıcı Kol ve Kırıcı Tesisatı olan makinalarda kullanıldı It was used in machines, have extending backhoe arm & breaker system
19	5427600		VALF, KAZICI	VALVE, BACKHOE	1	KAZICI / BACKHOE
20	5427214		YAĞ TOPLAYICI, HİDROLİK YAĞ	ADAPTER	1	
21	5427083		HORTUM	HOSE	1	2SC 5/8" x 460, M30x2 90° - M30x2 U BÜKÜM (Yükleyici Valf - Hidrolik Ana Pompa Arası)
22	5427216		TAPA, KÖR	PLUG	1	M18x1.5
23	5427088		HORTUM	HOSE	1	2SC ¾" x 1270, M36x2 DÜZ - M36x2 5 BÜKÜM, ŞERİT SİRALLİ (Ana Hidrolik Pompa - Tekli/Çiftli Valf Arası)
24	5427089		HORTUM	HOSE	1	2SC ¾" x 520, M36x2 DÜZ - M36x2 4 BÜKÜM, ŞERİT SİRALLİ (Yükleyici Valf - Tekli / Çiftli Valf Arası)
25	5427055		HORTUM	HOSE	1	2SC ¾" x 740, M36x2 DÜZ - M36x2 90°, (Yükleyici Valf - Kazıcı Valf Arası)
26	54270117		HORTUM	HOSE	1	1SC ¾" x 860, M36x2 90°-M36x2 90° (Yükleyici Valf-Yağ Toplayıcı Arası)
27	54270113		HORTUM	HOSE	1	1SC 5/8" x 1440, M30x2 90° - 2 BÜKÜM 90° (Tekli/Çiftli Valf - Yağ Toplayıcı Arası)
28	54270115		HORTUM	HOSE	1	1SC 5/16" x 1750, M18x1.5 90° - M18x1.5 90°
29	54270116		HORTUM	HOSE	1	1SC ¾" x 860, M36x2 90° - M36x2 90°
30	54270114		HORTUM	HOSE	1	1SC ¾" x 835, M36x2 90° - M36x2 DÜZ



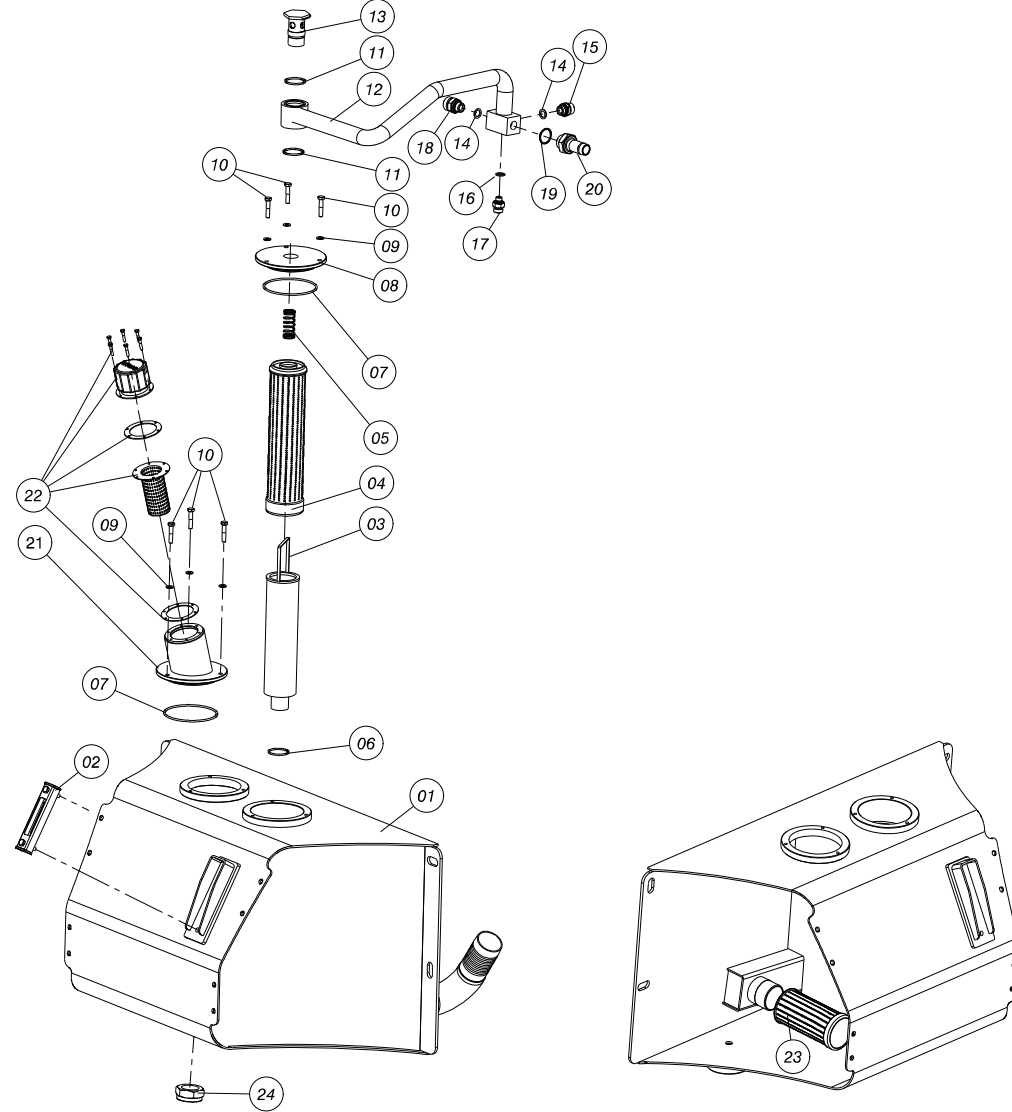
HİDROLİK ANA POMPA PARÇALARI / HYDRAULIC MAIN PUMP PARTS

POS	YEDEK PARÇA KODU SPARE PART CODE	REFERANS KODU REFERENCE CODE	PARÇA TANIMI	DESCRIPTION	MİKTAR QTY.	NOT NOTE
1		21060220	GÖVDE	BODY	1	KP30.38-D-LME/MC-M5-QW BSL (ANF)
2		21060250	GÖVDE	BODY	1	KP30.27-D-M5-LGE/GE-LS/L QW-BSH (ANF)
3		21910690	KAPAK, ARKA	REAR END COVER	1	PL20/LS-LGC/GD (1)
4		23263653	KAPAK, ÖN	FRONT COVER	1	KP30-Q3 (MM.36) QW
5		25934994	PLEYT, AŞINMA	THRUST PLATE	3	FP-KP-HD30/AL S/D QW (1) 37 DEGREES
6		25935018	PLEYT, AŞINMA, ÜST	UPPER THRUST PLATE	1	F-K-HD30/AL D QW (2)
7		32741877	MİL	DRIVE SHAFT	1	K30.38-A6-6 (ANF) (2)
8		32747014	DİŞLİ	DRIVEN GEAR	1	F-K-HD-PL30.27/F
9		32747018	DİŞLİ	DRIVEN GEAR	1	F-K-HD-PL30.38/F
10		32749016	MİL	DRIVE SHAFT	1	F-HD-K-PL30.27-II
11		35150000	CIVATA	SCREW	2	M10 x 30, 5931- 12.9
12		35194500	CIVATA	SCREW	2	M10 x 60, 5931-12.9
13		36210985	CIVATA	SCREW	4	M14 x 200, 5931 - 12.9
14		37120104	VİDA	SCREW, GRUB	1	M6 x 6, DIA 0.7 (GREEN)
15		37120318	VİDA	SCREW, THROTTLING GRUB	1	M10 DIA 0.8 VALVE LS (YELLOW)
16		37185000	VİDA	SCREW, GRUB	1	1/8" NPT LEVL-SEAL
17		37583700	PUL	WASHER	4	10 (10.5x16x2) HV200
18		37583900	PUL	WASHER	4	14 (15x22x2.5) HV200
19		38201000	O-RİNG	O-RING SEAL	3	OR 132 70GRA SH.A(23.81X2,62)
20		38621700	O-RİNG	O-RING SEAL	1	OR-5,5x1,5 90GRA SH.A
21		39656140	KEÇE	SEAL	3	FP-KP-HD30 S/D
22		39656142	KEÇE, ÜST	SEAL, UPPER	1	FP-KP-HD30 D
23		39666150	KEÇE	SEAL, STANDARD	1	KP 30 SQUARE SECTION
24		39666155	KEÇE	SEAL	1	K 30 M5 SQUARE SECTION
25		40018000	KEÇE	SEAL, SHAFT	2	BAUD2 32 x 45 x 7
26		40850000	SEGMAN	CIRCLIP	1	45 UNI 7437-DIN 472
27		41387150	SIZDIRMAZLIK BİLEZİĞİ	ANTIEXTRUSION RING	3	Z-FP-KP-HD30 S/D
28		41387152	SIZDIRMAZLIK BİLEZİĞİ, ÜST	ANTIEXTRUSION RING, UPPER	1	Z FP-KP-HD30 S/D
29		42395050	YATAK BİLEZİĞİ	SLEEVE BEARING	7	MB 28.30 DU F30-K30-HD30
30		42395055	YATAK BİLEZİĞİ, ÜST	SLEEVE BEARING, UPPER	1	MB KP30 D32 L35 DU
31		42474155	MAKARA, LS VALF (PRIORTY VALF)	SPOOL FOR LS VALVE	1	80 LITRES
32		42950110	FİLTRE, TÜP	NET TUBULAR FILTER	1	DI=7.5 - L=11 - SP=0.15
33		44020600	YAY BASKISI	PUSHING SPRING LS	1	
34		45367100	YAY	SPRING, MAIN PILOT	1	DVP TYPE B
35		45371001	MANŞON ŞAFT	HUB	1	F-K-HD-PL30-65 L=54



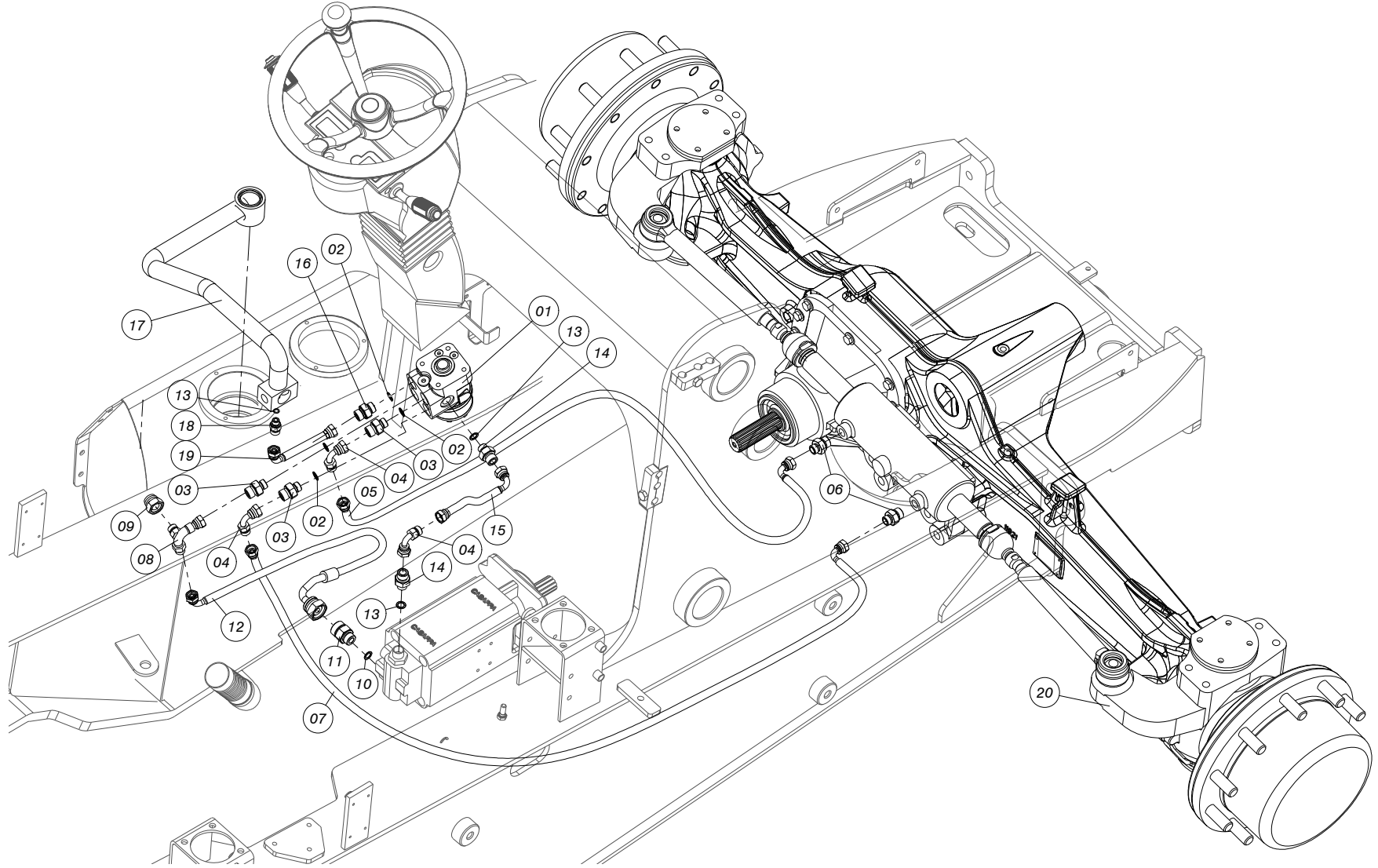


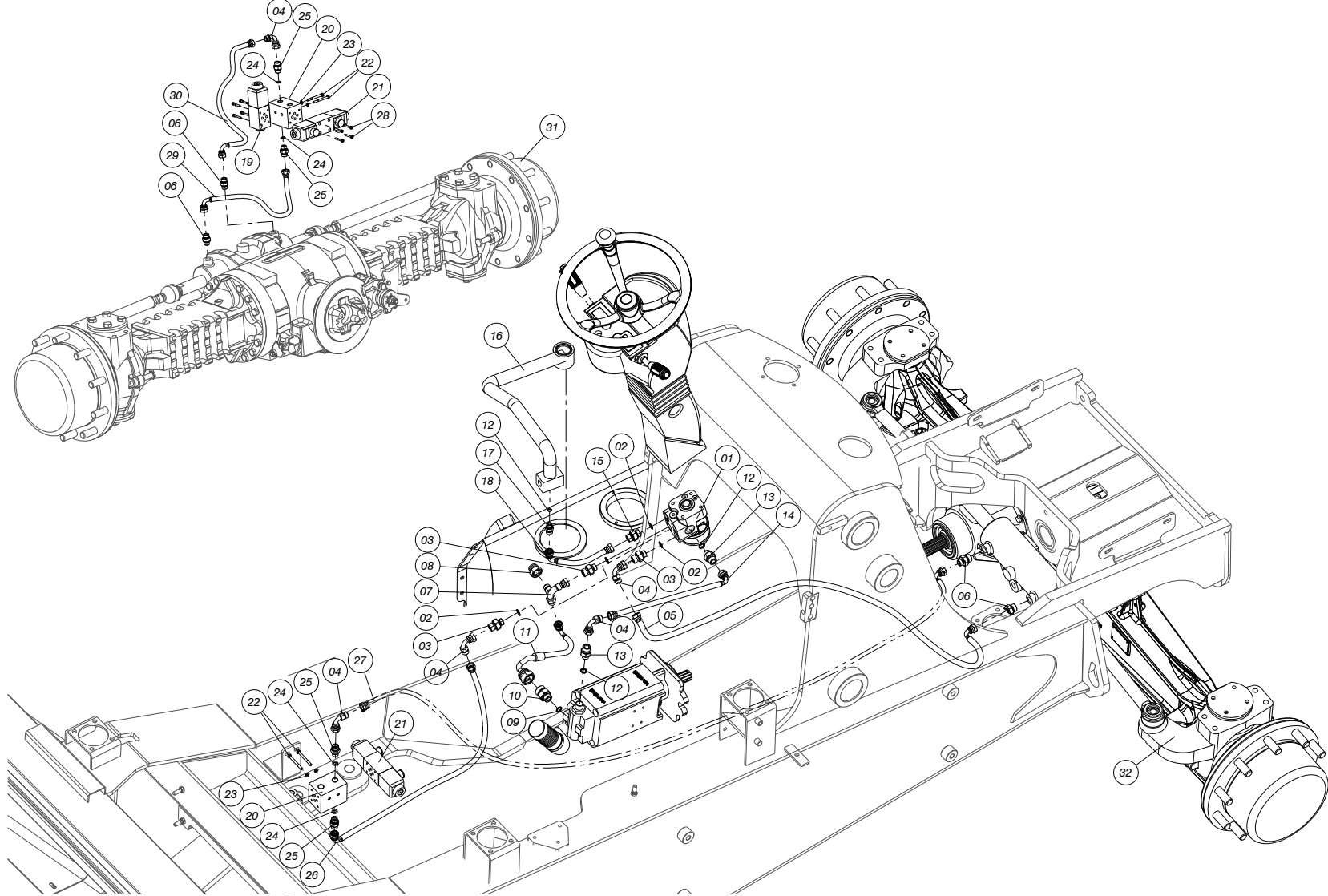
HİDROLİK YAĐ TANKI / HYDRAULIC OIL TANK



HİDROLİK YAĞ TANKI / HYDRAULIC OIL TANK

POS	YEDEK PARÇA KODU SPARE PART CODE	REFERANS KODU REFERENCE CODE	PARÇA TANIMI	DESCRIPTION	MİKTAR QTY.	NOT NOTE
1	5421200		YAĞ TANKI GÖVDESİ	OIL TANK BODY	1	
2	5421232		GÖSTERGE, YAĞ SEVİYE & SICAKLIK	INDICATOR, OIL LEVEL & TEMPERATURE	1	
3	5421272		FİLTRE KABI	HOUSING	1	
4	5421274		FİLTRE	FILTER	1	GERİ DÖNÜŞ / RETURN
5	5421273		YAY	SPRING	1	
6	5421275		O-RİNG	O-RING	1	71.12 x 2.62 - NBR
7	5421213		O-RİNG	O-RING	2	107.54 x 3.53
8	5421220		KAPAK	COVER	1	
9	5421432		PUL	WASHER	6	M8
10	5420822		CIVATA	BOLT	6	M8 x 20
11	54212106		O-RİNG	O-RING	2	42 x 3
12	5427246		BANJO TOPLAYICI	TUBE	1	YAĞ GERİ DÖNÜŞ / OIL RETURN
13	5427242		CIVATA, BANJO	BOLT, BANJO	1	
14	5423340		PUL, BAKIR	WASHER	2	R¼"
15	5427126		NİPEL	NIPPLE	1	¼" - M20x1.5 AA22 x 34
16	5423745		PUL, BAKIR	WASHER	1	½" G.D.
17	5427154		NİPEL	NIPPLE	1	½" - M24x1.5 AA27 x 34
18	5427145		NİPEL	NIPPLE	1	½" - M30x2 AA30 x 44
19	54212100		PUL, BAKIR	WASHER	1	M30
20	5427153		NİPEL	NIPPLE	1	1" HG - M30 AA41 x 80
21	5421214		DOLDURMA AĞZI	CAP, FILLER	1	
22	5421291		KAPAK, FİLTRELİ	TANK BREATHER FILTER	1	
23	5421276		FİLTRE	FILTER	1	EMİŞ / SUCTION
24	5427217		TAPA, KÖR	PLUG	1	M24x1.5

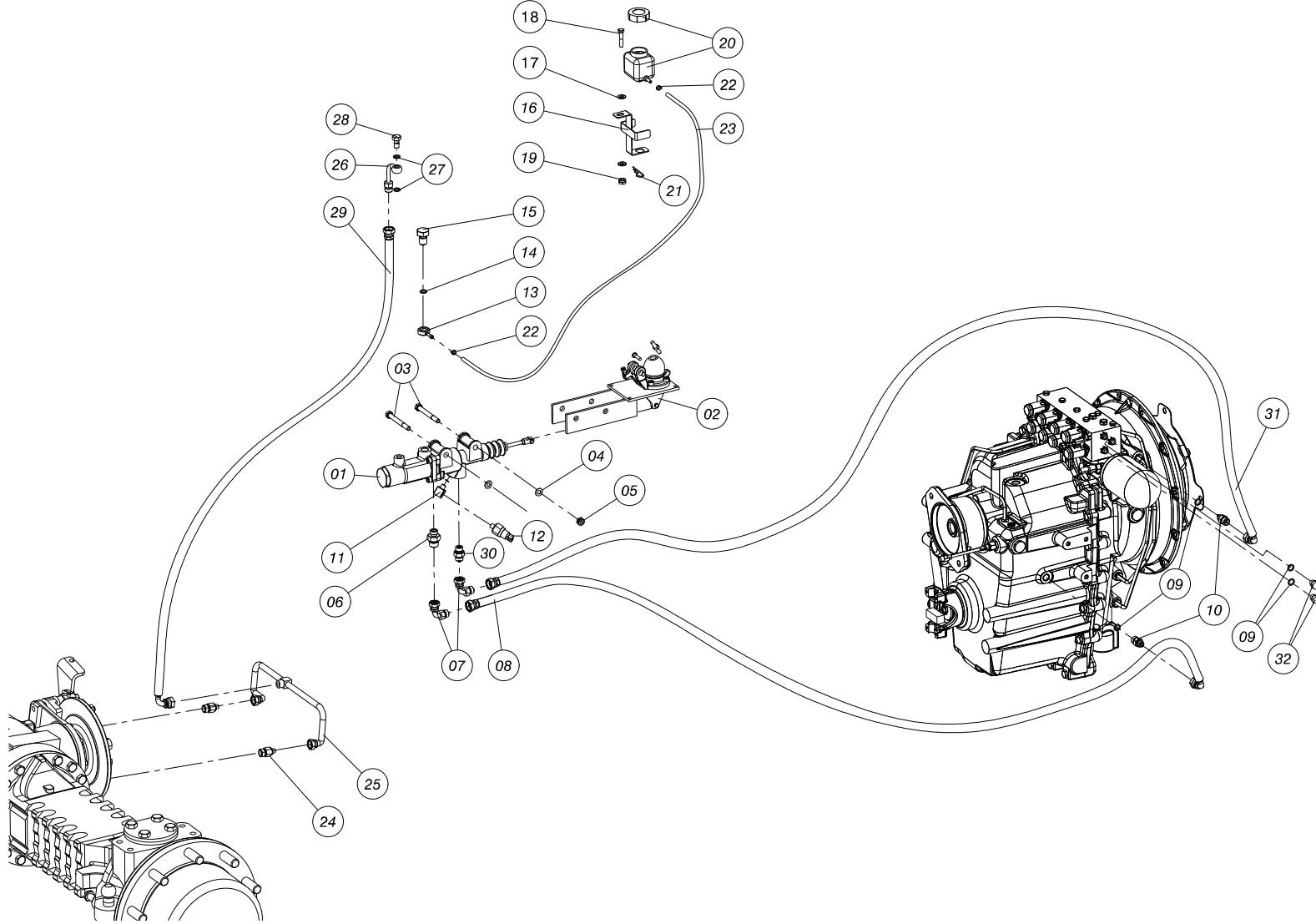
DİREKSİYON SİSTEMİ / STEERING SYSTEM (M542)



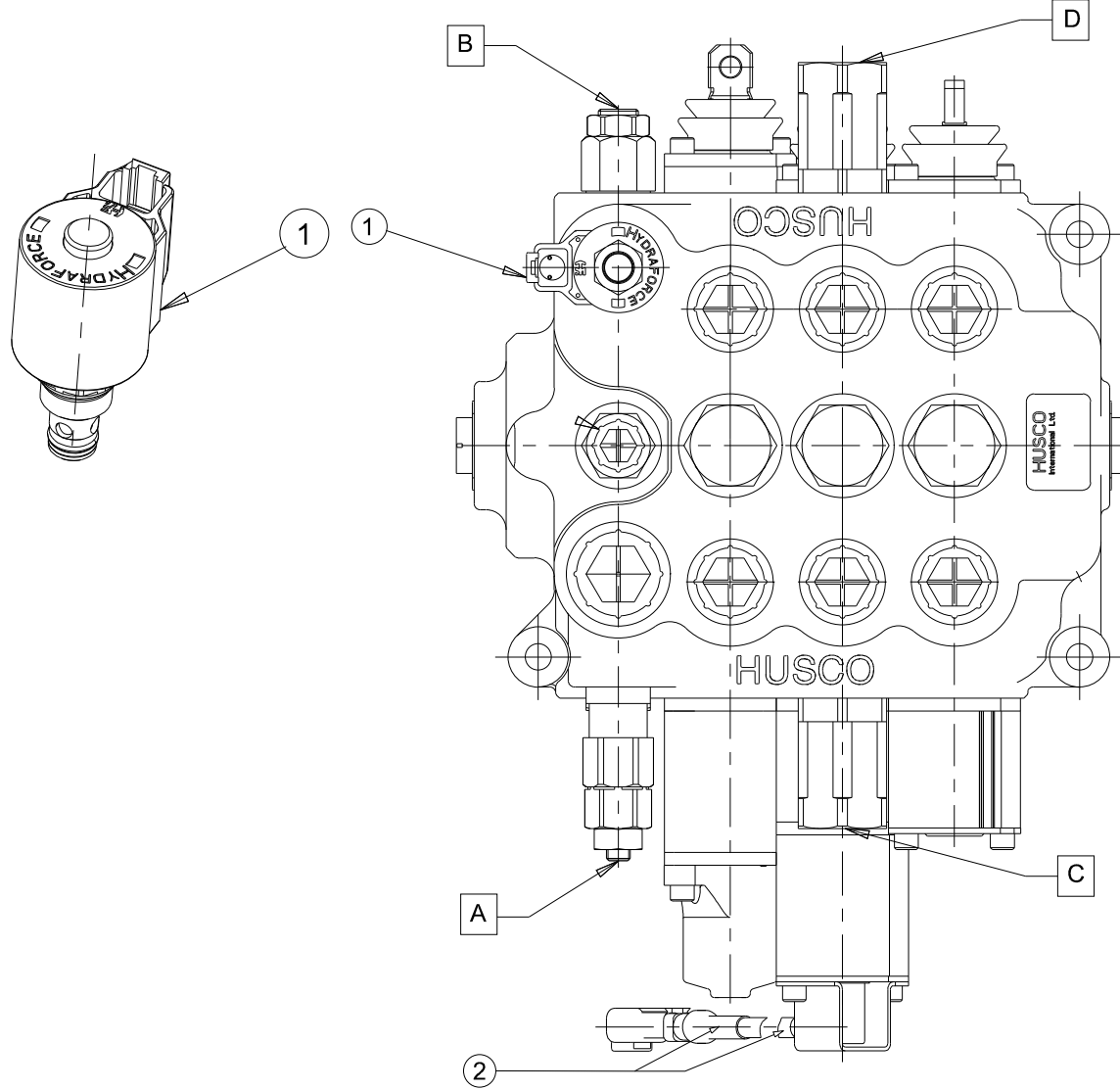
DİREKSİYON SİSTEMİ / STEERING SYSTEM (M544)

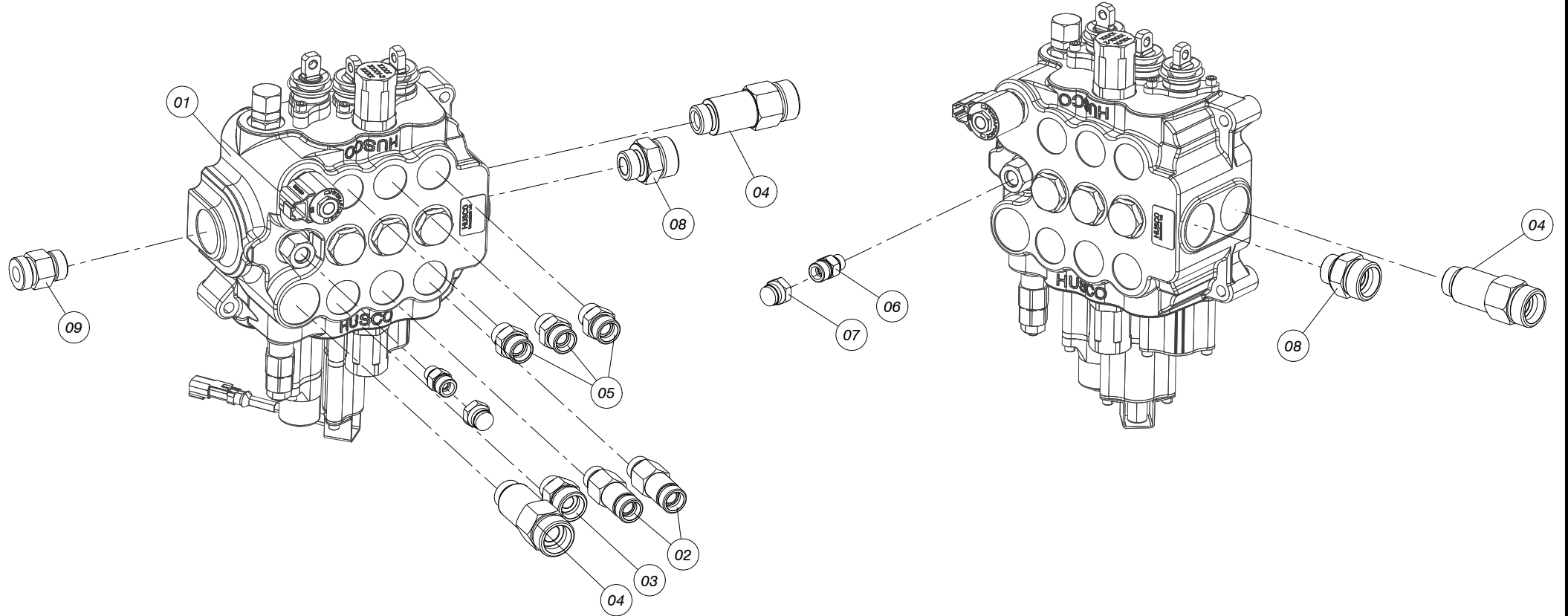
POS	YEDEK PARÇA KODU SPARE PART CODE	REFERANS KODU REFERENCE CODE	PARÇA TANIMI	DESCRIPTION	MİKTAR QTY.	NOT NOTE
1	5421880		DİREKSİYON ÜNİTESİ	STEERING UNIT	1	OSPC 160 LS 150-8155
2	5423745		PUL, BAKIR	WASHER	4	½" G.D.
3	5427116		NİPEL	NIPPLE	3	½" – M18x1.5 AA27 x 38
4	5427205		ADAPTÖR	ADAPTER	2	90°, M18x1.5 ERKEK - DİŞİ M18x1.5
5	5427097		HORTUM	HOSE	1	2SC 5/16" x 1750, M18x1.5 DÜZ - M18x1.5 90°
6	5427150		NİPEL	NIPPLE	4	M18x1.5 - M18x1.5 AA22 x 36
7	5427207		DİRSEK	ELBOW	1	90° 2 Uç Erkek – 1 Uç Dişi M18x1.5
8	5427216		TAPA	PLUG	1	M18x1.5
9	5423745		PUL, BAKIR	WASHER	1	½" G.D.
10	5427121		NİPEL	NIPPLE	1	¾" - M18x1.5 AA22 x 35
11	5427094		HORTUM	HOSE	1	2SC 5/16" x 520, M18x1.5 90° - M18x1.5 2 BÜKÜM
12	5423340		PUL, BAKIR	WASHER	2	¼" G.D.
13	5427124		NİPEL	NIPPLE	1	¼" – M18x1.5 AA19x34
14	5427096		HORTUM	HOSE	1	2SC 5/16" x 680, M18x1.5 DÜZ - M18x1.5 90°
15	5427117		NİPEL	NIPPLE	1	½" - M20x1.5 AA27 x 38
16	5427246		BANJO TOPLAYICI BORU, YAĞ GERİ DÖNÜŞ	TUBE, OIL RETURN	1	
17	5427126		NİPEL	NIPPLE	1	¼" - M20x1.5 AA22 x 34
18	5427095		HORTUM	HOSE	1	1SC ¾" x 600, M20x1.5 DÜZ - M20x1.5 90°
19	5441836		VALF	VALVE	1	TEKLİ, ÖN TEKER KUMANDA, M544 makinalarda kullanıldı / Used in M544 machines
20	5441834		PLEYT	PLATE	1	M544 makinalarda kullanıldı / Used in M544 machines
21	5441835		VALF	VALVE	1	ÇİFTLİ, ARKA TEKER KUMANDA, M544 makinalarda kullanıldı / Used in M544 machines
22	5420822		CIVATA	BOLT	2	M8 x 20
23	5421432		PUL	WASHER	2	M8
24	5421840		PUL, BAKIR	WASHER	4	¾"
25	5427121		NİPEL	NIPPLE	4	¾" - M18x1.5 AA22x35
26	5427093		HORTUM	HOSE	1	2SC 5/16" x 1370, M18x1.5 DÜZ - M18x1.5 90° M544 makinalarda kullanıldı / Used in M544 machines
27	5447098		HORTUM	HOSE	1	2SC 5/16" x 2400, M18x1.5 DÜZ - M18x1.5 90° M544 makinalarda kullanıldı / Used in M544 machines
28	5421837		CIVATA	BOLT	8	M5 x 30, İNBUS
29	54470100		HORTUM	HOSE	1	2SC 5/16" x 640, M18x1.5 DÜZ - M18x1.5 90° M544 makinalarda kullanıldı / Used in M544 machines
30	5427099		HORTUM	HOSE	1	2SC 5/16" x 350, M18x1.5 90° - M18x1.5 90°
31		643628	ARKA DİNGİL KOMPLESİ	REAR AXLE ASSY.	1	M544 makinalarda kullanıldı / Used in M544 machines
32		147824S	ÖN DİNGİL KOMPLESİ	FRONT AXLE ASSY.	1	M544 makinalarda kullanıldı / Used in M544 machines

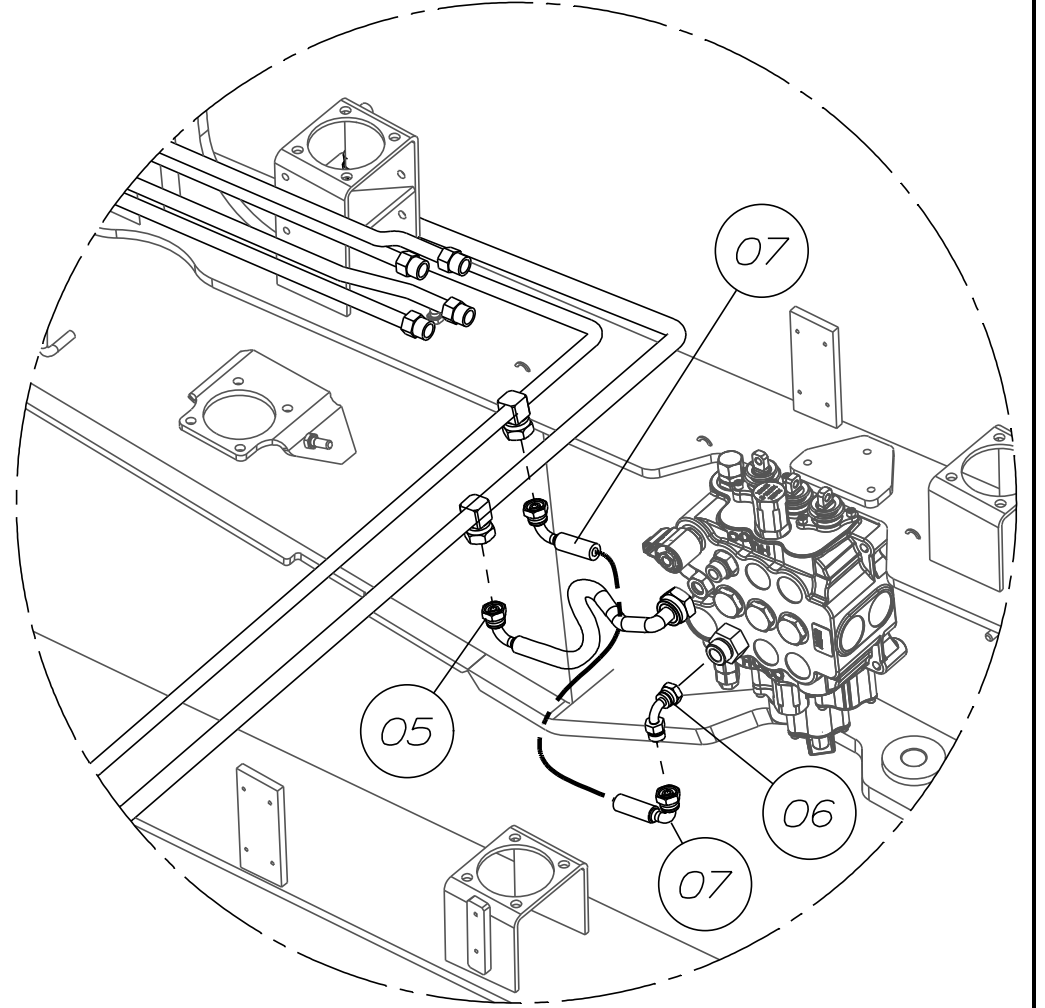
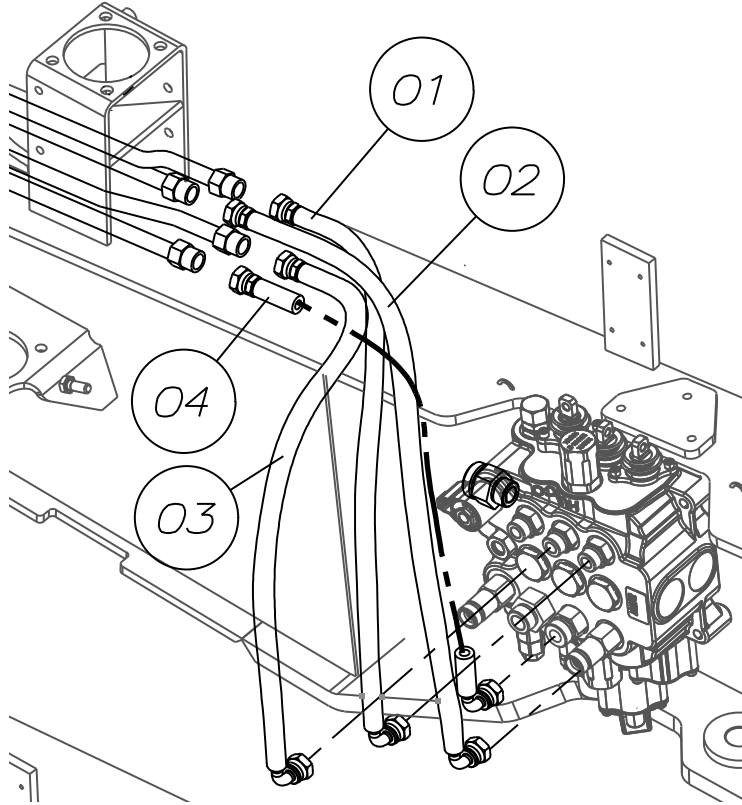
FREN SİSTEMİ / BRAKE SYSTEM

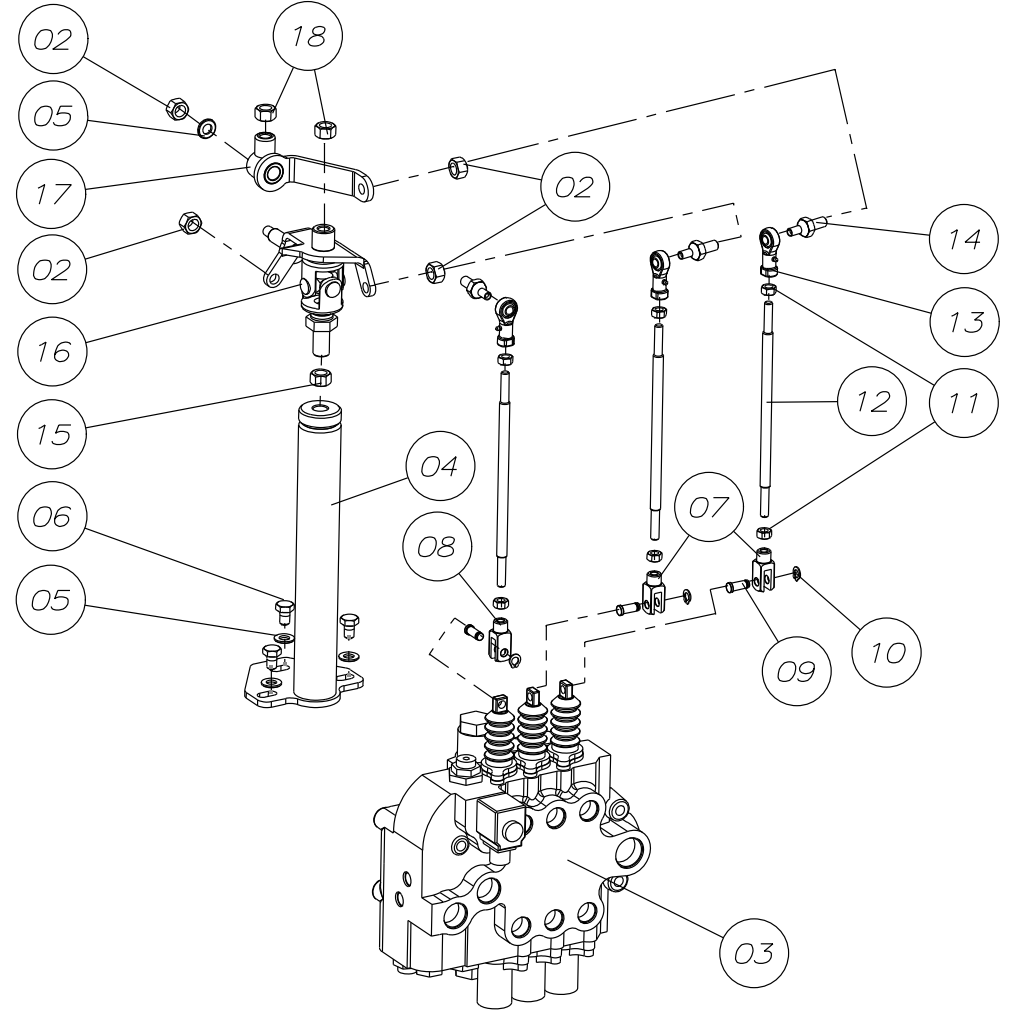
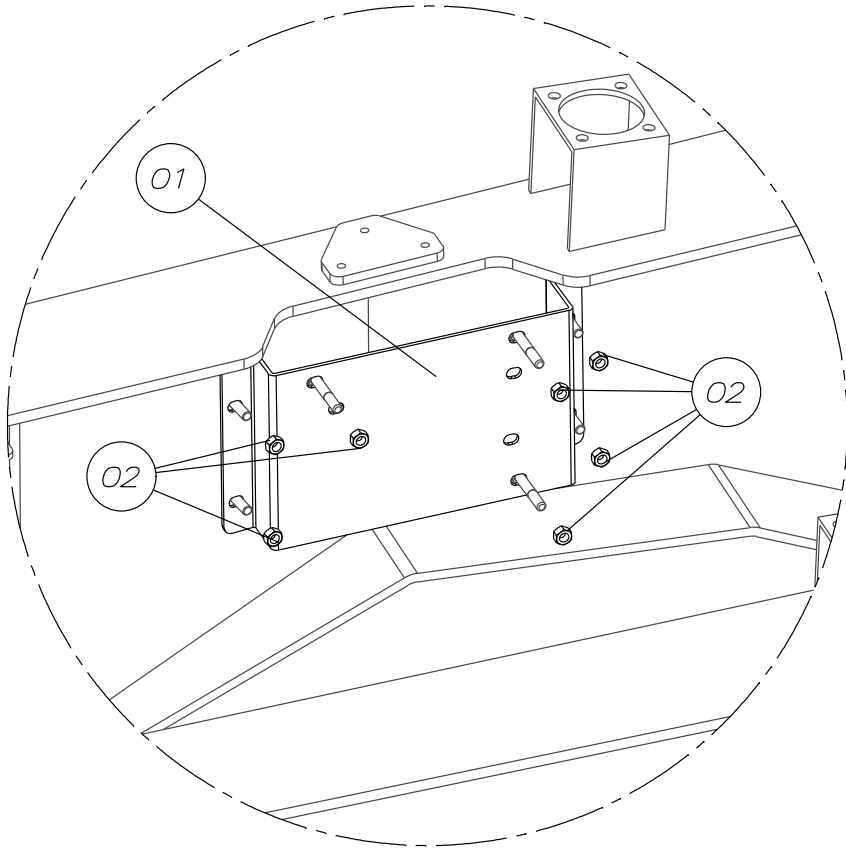


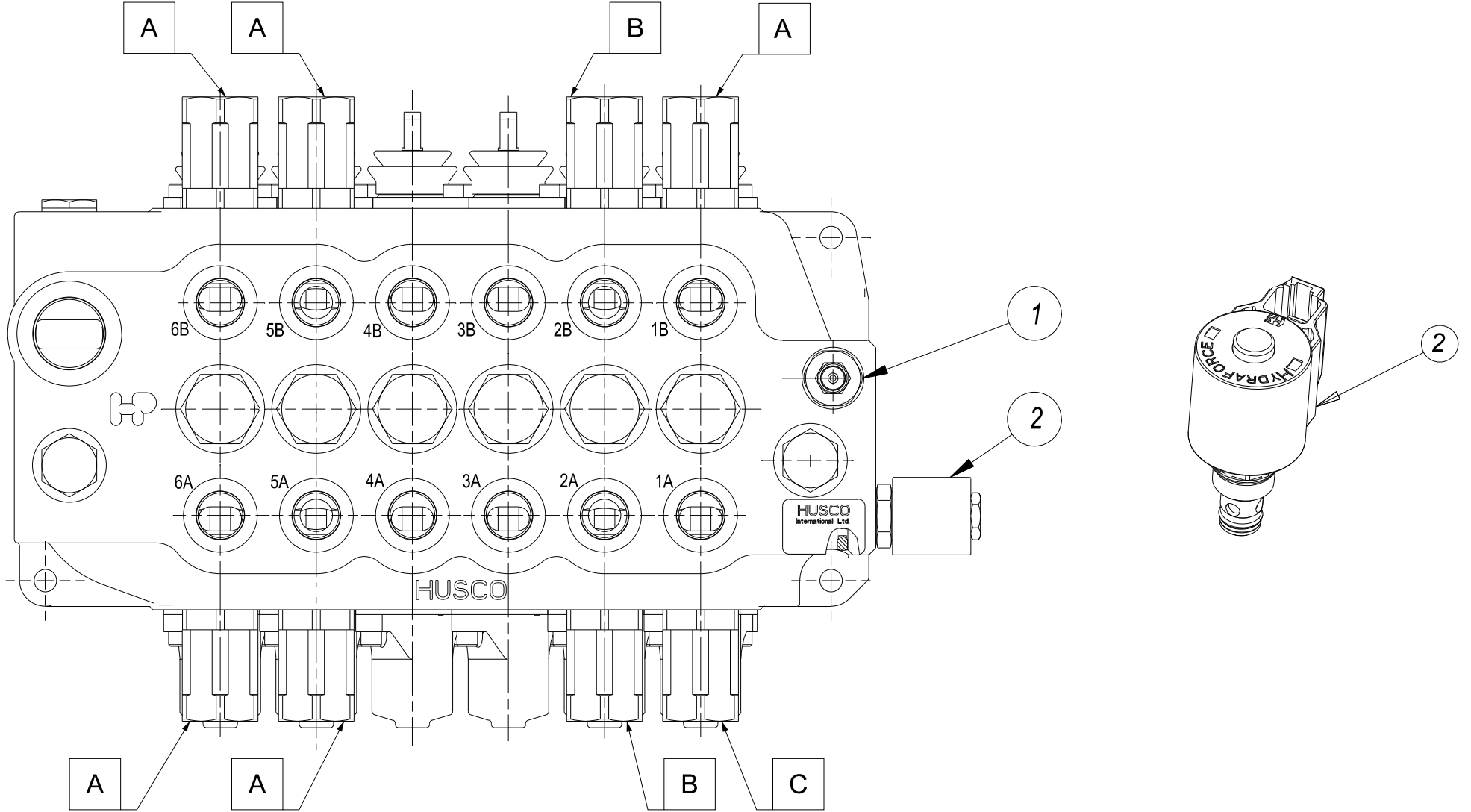
POS	YEDEK PARÇA KODU SPARE PART CODE	REFERANS KODU REFERENCE CODE	PARÇA TANIMI	DESCRIPTION	MİKTAR QTY.	NOT NOTE
1	5423143		FREN POMPASI	PUMP, BRAKE	1	
2	5423144		PEDAL & BRAKET KOMPLESİ	PEDAL & BRACKET ASSEMBLY	1	
3	5423146		CIVATA	BOLT	2	M12 x 90
4	5421201		PUL	WASHER	2	M12
5	5420603		SOMUN	NUT	2	M12, FİBERLİ
6	5427124		NİPEL	NIPPLE	1	¼" - M18x1.5 AA19 x 34
7	5427205		DİRSEK	ELBOW	2	90° DİRSEKLİ M18x1.5 ERKEK - M18x1.5 DİŞİ
8	54270102		HORTUM	HOSE	1	2SC 5/16" x 1030, M18x1.5 DÜZ - M18x1.5 90°
9	5425252		PUL, BAKIR	WASHER	4	9/16"
10	5427138		NİPEL	NIPPLE	2	9/16" - M18x1.5 AA19 x 34
11	5427245		ADAPTÖR	ADAPTER	1	M10x1 - M10x1
12	5423147		MÜŞÜR	SWITCH	1	Fren Lambası / Brake Lamp
13	5427240		BANJO ADAPTÖR	ADAPTER, BANJO	1	M18x1.5
14	5423111		PUL, BAKIR	WASHER	2	M18
15	5427241		CIVATA, BANJO	BOLT, BANJO	1	M18x1.5
16	544S0548		BAĞLANTI PARÇASI	BRACKET	1	FREN REZERVUAR BAĞLANTI
17	5423403		PUL	WASHER	2	¾" DÜZ, KALIN
18	5421727		CIVATA	BOLT	1	M10 x 25
19	5423429		SOMUN	NUT	1	M10, FİBERLİ
20	5423141		REZERVUAR ve KAPAK	RESERVOIR & CAP	1	
21	5423142		KOPİLYA	COTTER	1	
22	5423411		KELEPÇE	CLAMP	2	8,8, 8x12 SX 9 8x12 C7-W2
23	5423145		HORTUM	HOSE	1	Ø6 x Ø12 x 1750 mm
24	5427140		NİPEL	NIPPLE	2	7/16" - M18x1.5 AA19 x 40
25	5427414		TEŞİSAT BORUSU	PIPE	1	M18x15
26	5427237		BANJO DİRSEK	ELBOW	1	M12x1.5 90° DİRSEK-M18x1.5 ERKEK
27	5423132		BAKIR PUL	WASHER	2	M12, BAKIR
28	5427238		CIVATA, BANJO	BOLT, BANJO	1	M12x1.5
29	54270101		HORTUM	HOSE	1	2SC 5/16" x 720, M18x1.5 DÜZ - M18x1.5 90°
30	5427150		NİPEL	NIPPLE	1	M18-M18x1.5 AA22 x 36
31	54270103		HORTUM	HOSE	1	2SC 5/16" x 910, M18x1.5 DÜZ - M18x1.5 90°
32	5427235		TAPA, KÖR	PLUG	2	9/16" ERKEK

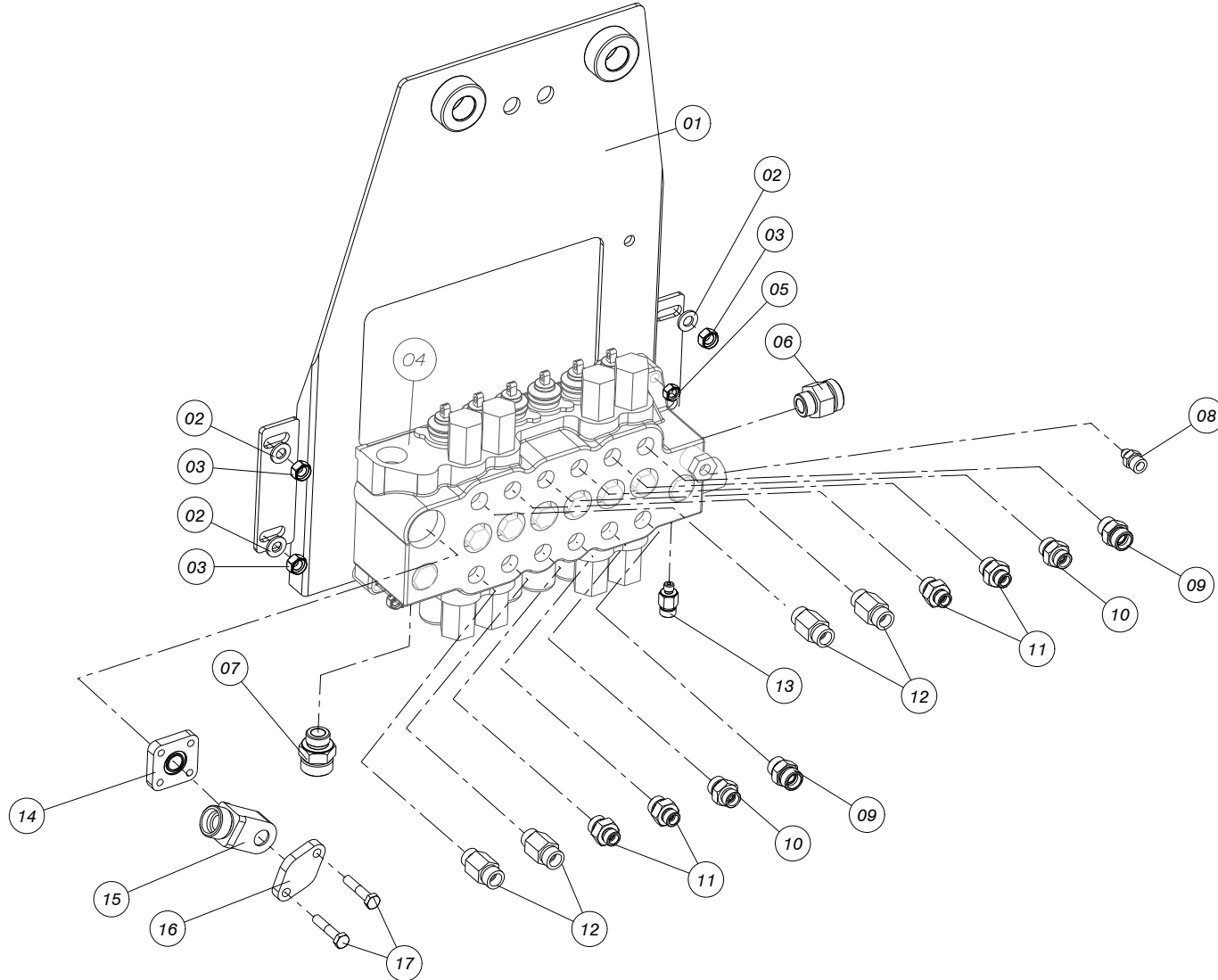






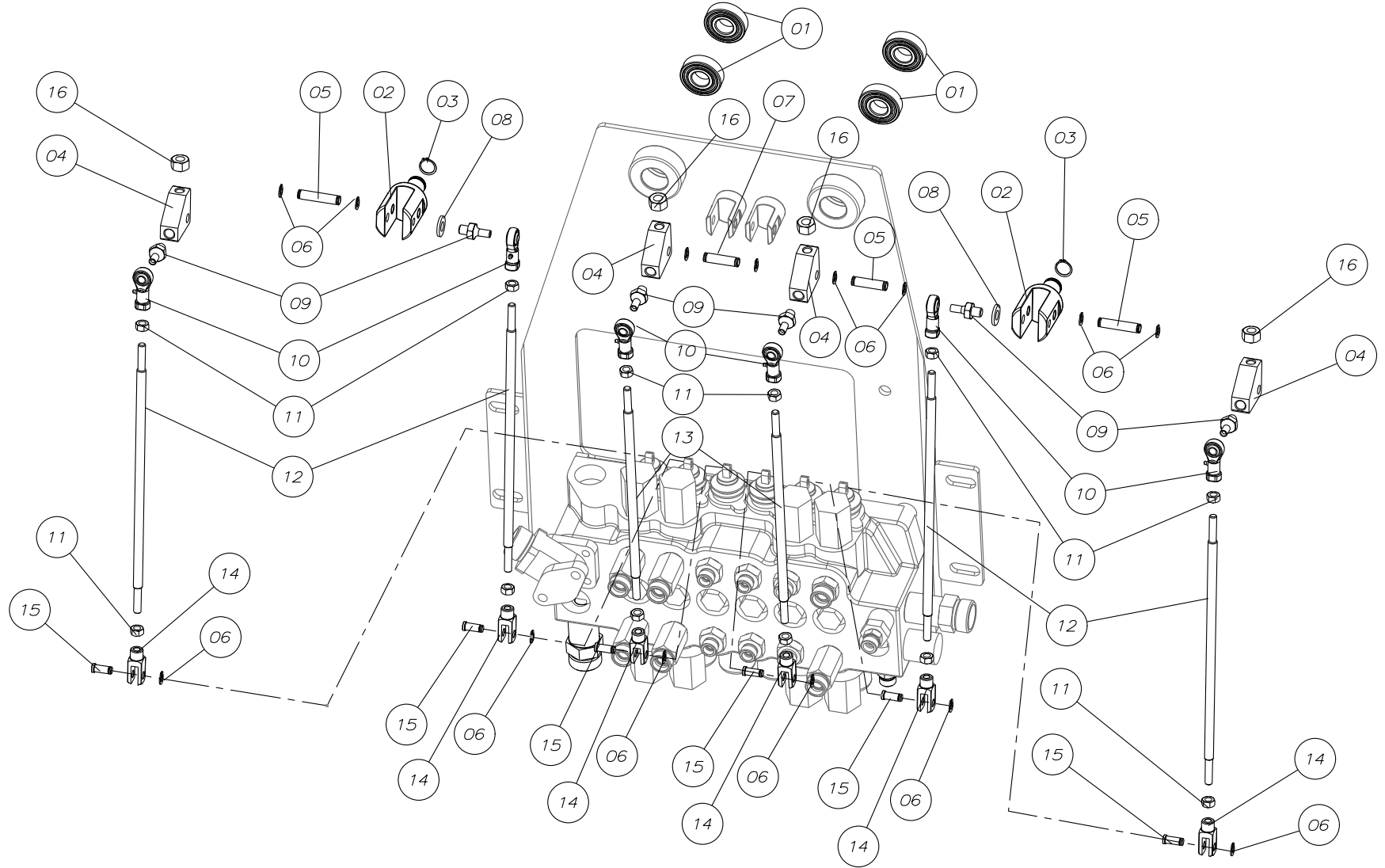


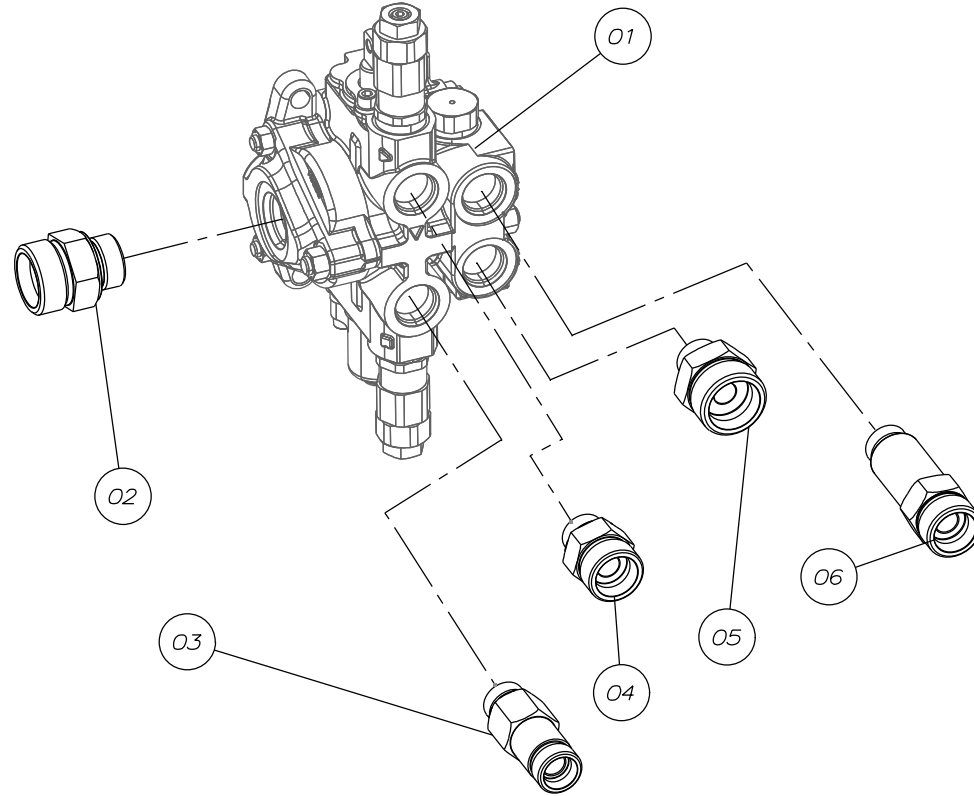




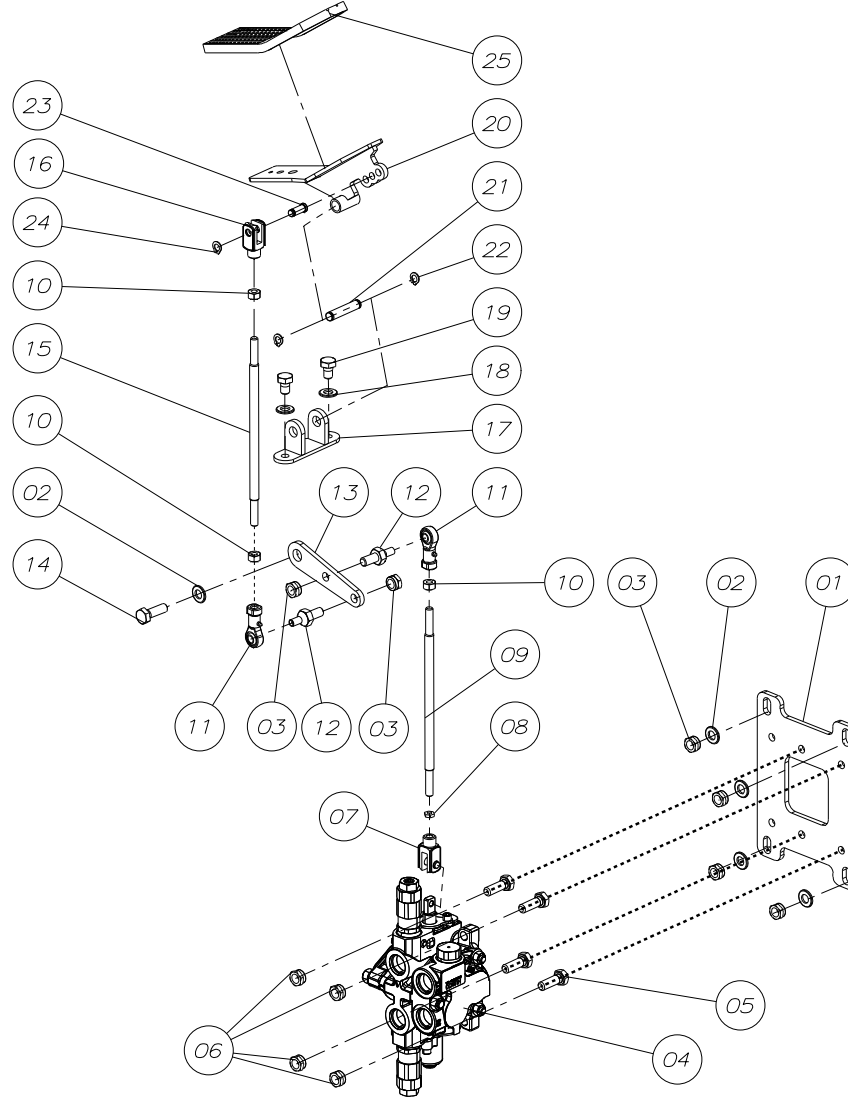
KAZICI KUMANDA NİPELLERİ / BACKHOE VALVE NIPPLES

POS	YEDEK PARÇA KODU SPARE PART CODE	REFERANS KODU REFERENCE CODE	PARÇA TANIMI	DESCRIPTION	MİKTAR QTY.	NOT NOTE
1	5423761		BAĞLANTI SACI	BRACKET	1	KAZICI KUMANDA – ŞAŞI BAĞLANTI
2	5421201		PUL	WASHER	4	M12, DÜZ
3	5420603		SOMUN	NUT	4	M12, FİBERLİ
4	5427600		VALF	VALVE	1	KAZICI / BACKHOE
5	5420622		SOMUN	NUT	3	M8, FİBERLİ
6	5427102		NİPEL	NIPPLE	2	1 1/16" - M36x2 AA36 x 88
7	5427101		NİPEL	NIPPLE	1	1 1/16" - M36x2 AA36 x 48
8	5427143		NİPEL	NIPPLE	1	7/16" - M18x1.5 AA19 x 35
9	5427108		NİPEL	NIPPLE	1	7/8" - M24x1.5 AA27 x 39
10	5427110		NİPEL	NIPPLE	2	7/8" - M20x1.5 AA27 x 37
11	5427111		NİPEL	NIPPLE	4	7/8" - M18x1.5 AA27 x 37
12	5427146		NİPEL	NIPPLE	4	7/8" - M24x1.5 AA27 x 54
13	5427140		NİPEL	NIPPLE	1	7/16" - M18x1.5 AA19 x 40
14	5427318		RAKOR	FITTING	1	1 5/16"
15	5427319		RAKOR, BANJO	FITTING	1	M36x2
16	5427320		FLANŞ	FLANGE	1	
17	5427651		CIVATA	BOLT	2	M10 x 50

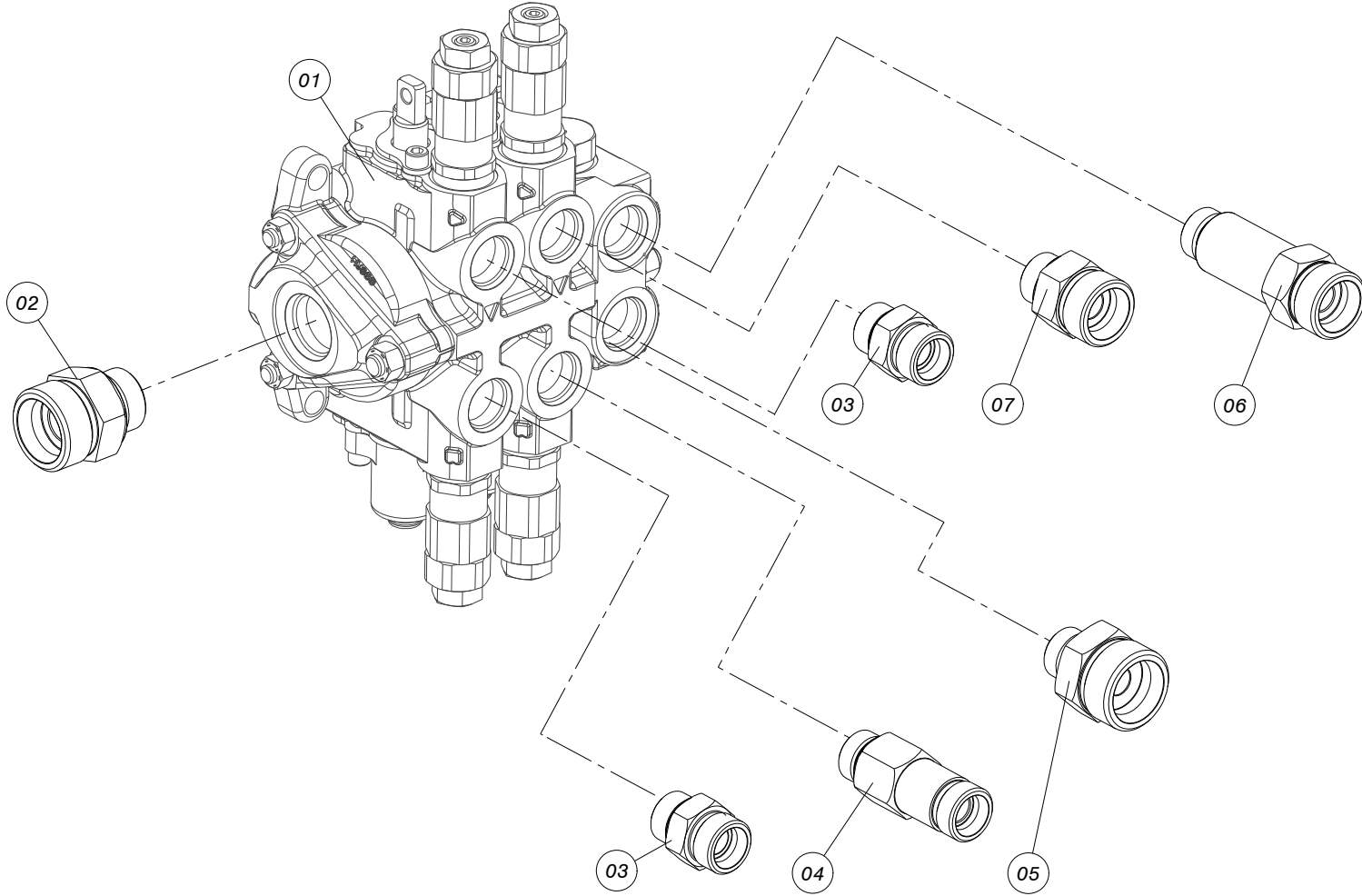


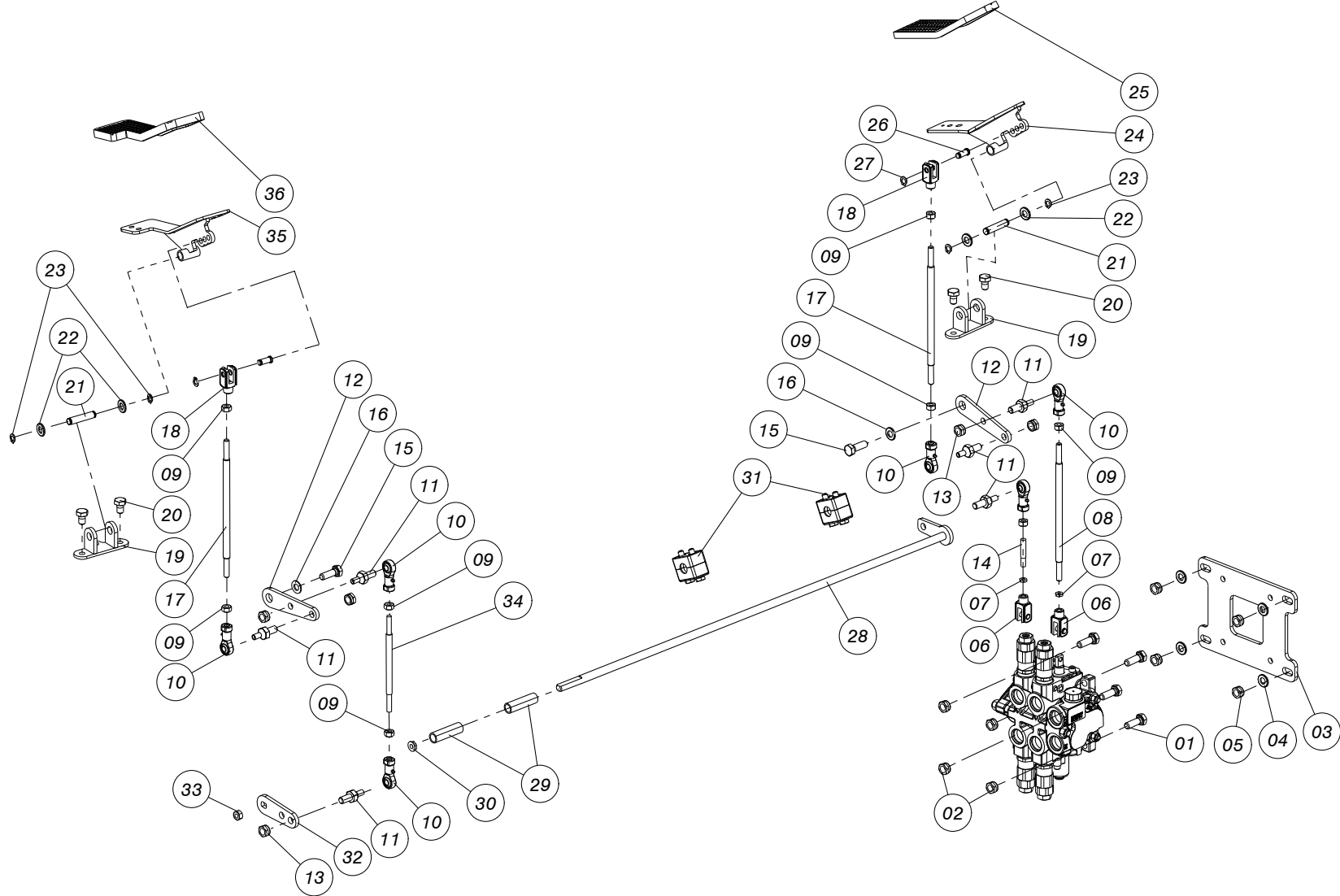


KIRICI VALFİ LEVYELERİ / BREAKER VALVE CONTROLS



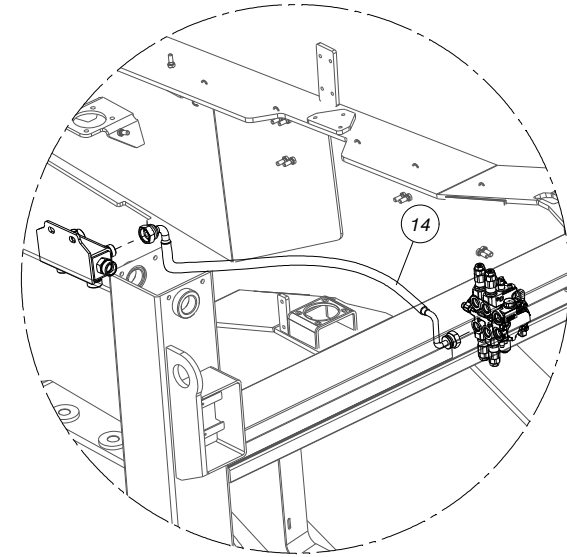
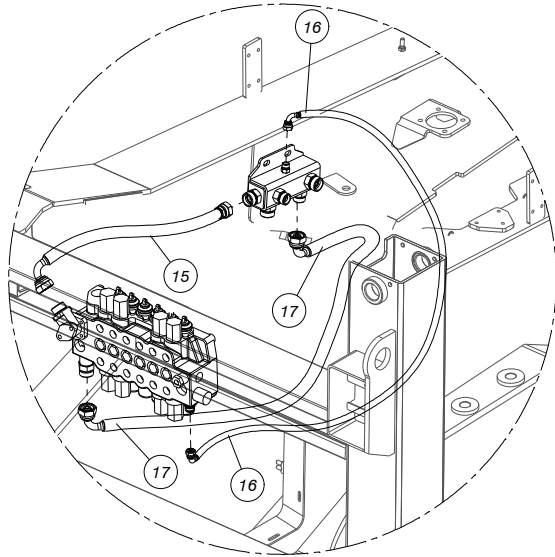
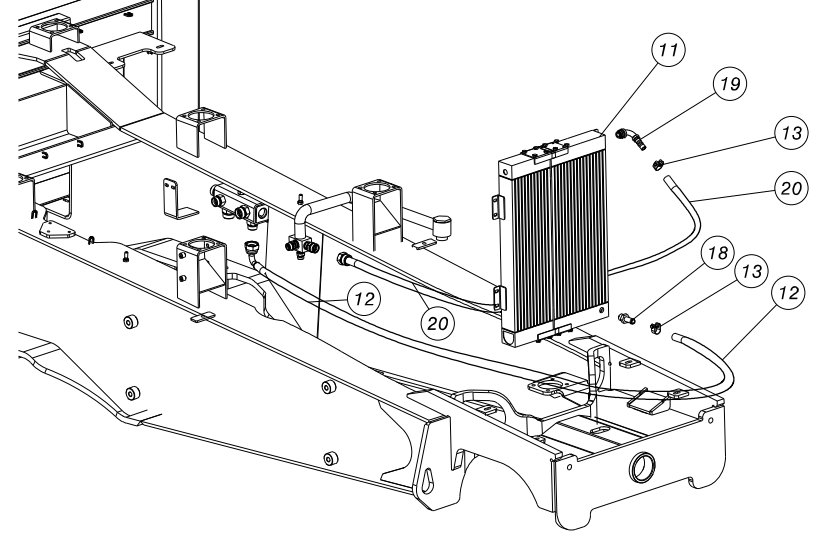
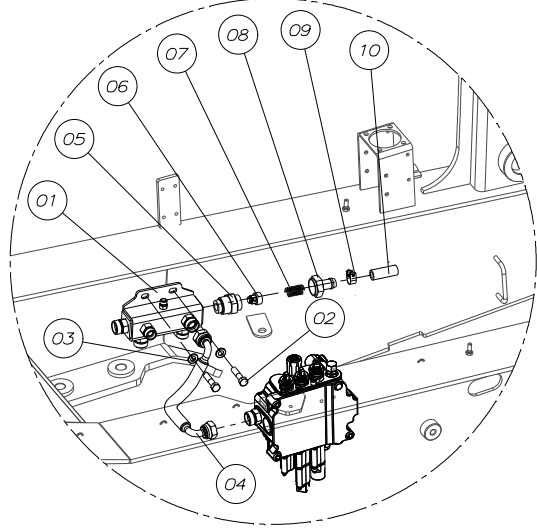
**KIRICI & TELESKOBİK VALFİ NİPELLERİ /
BREAKER & EXTENDING VALVE NIPPLES**

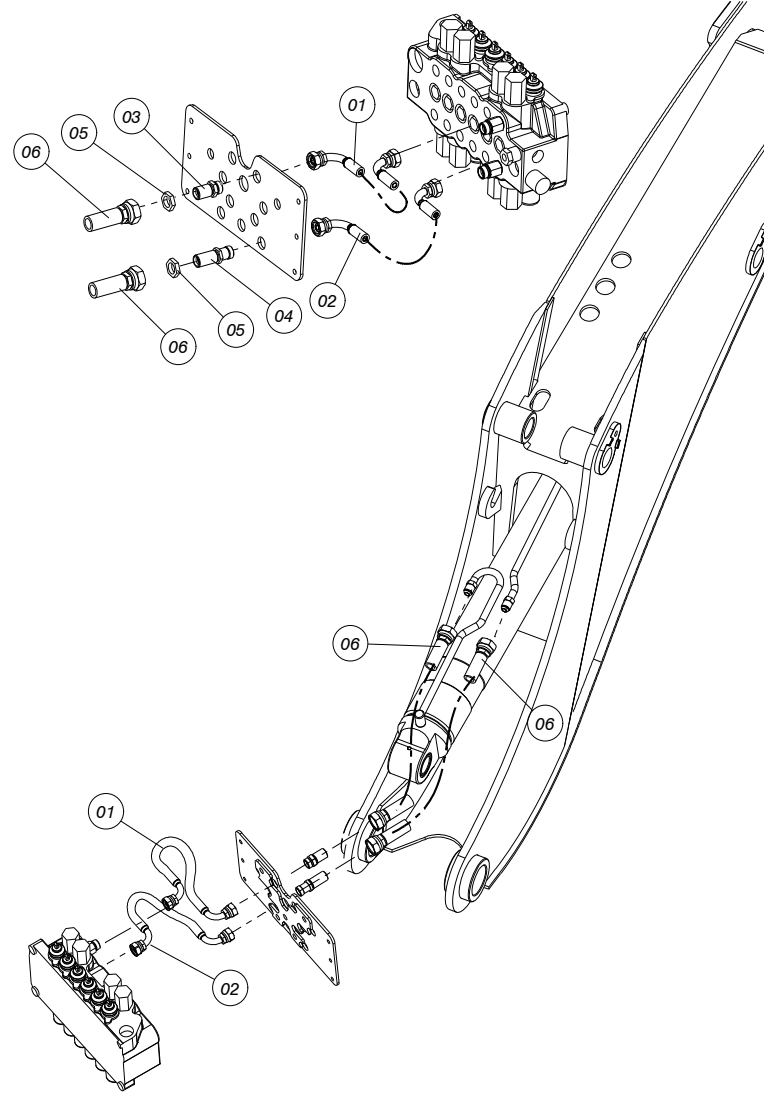


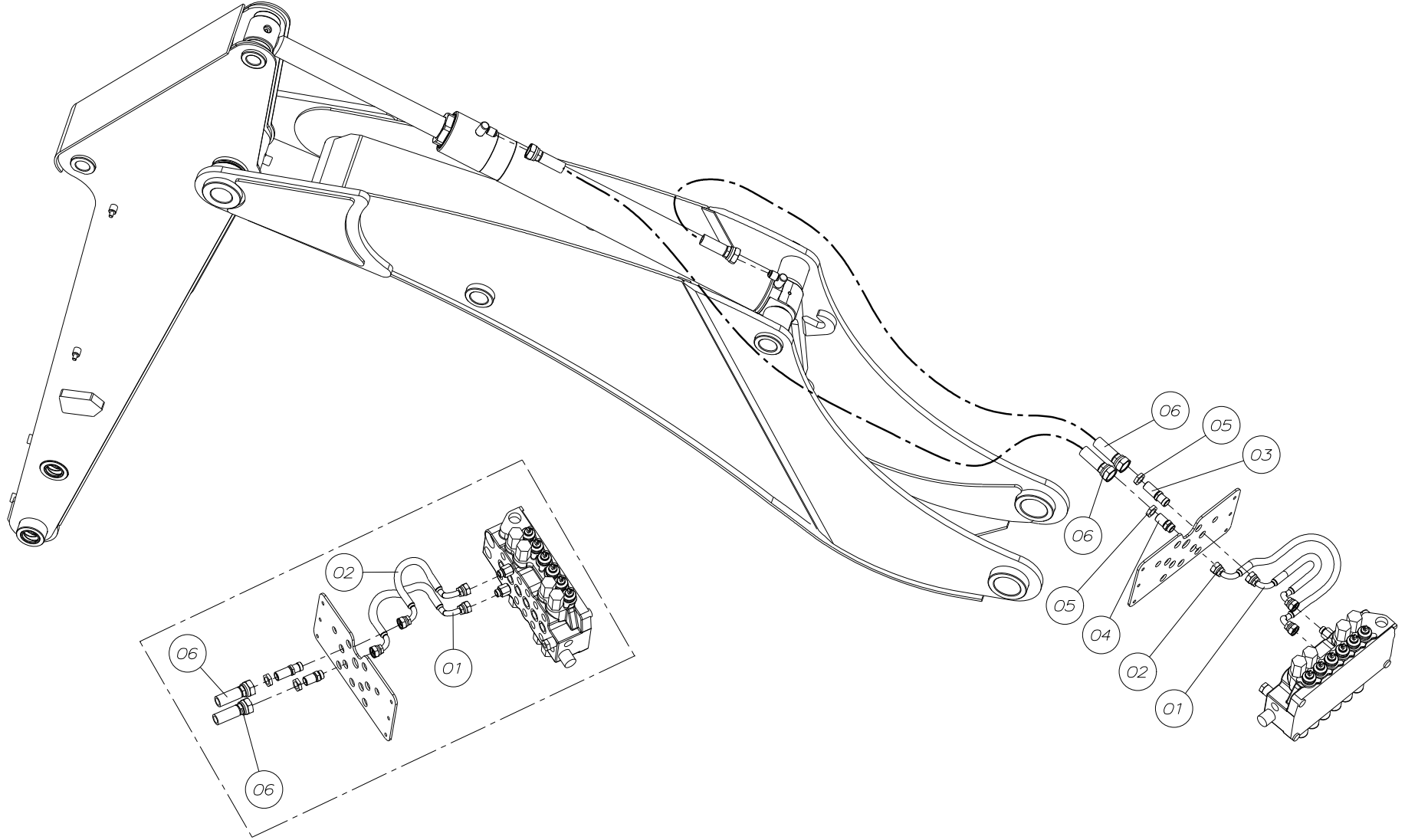


**KIRICI & TELESKOBİK VALFİ LEVYELERİ /
BREAKER & EXTENDING VALVE CONTROLS**

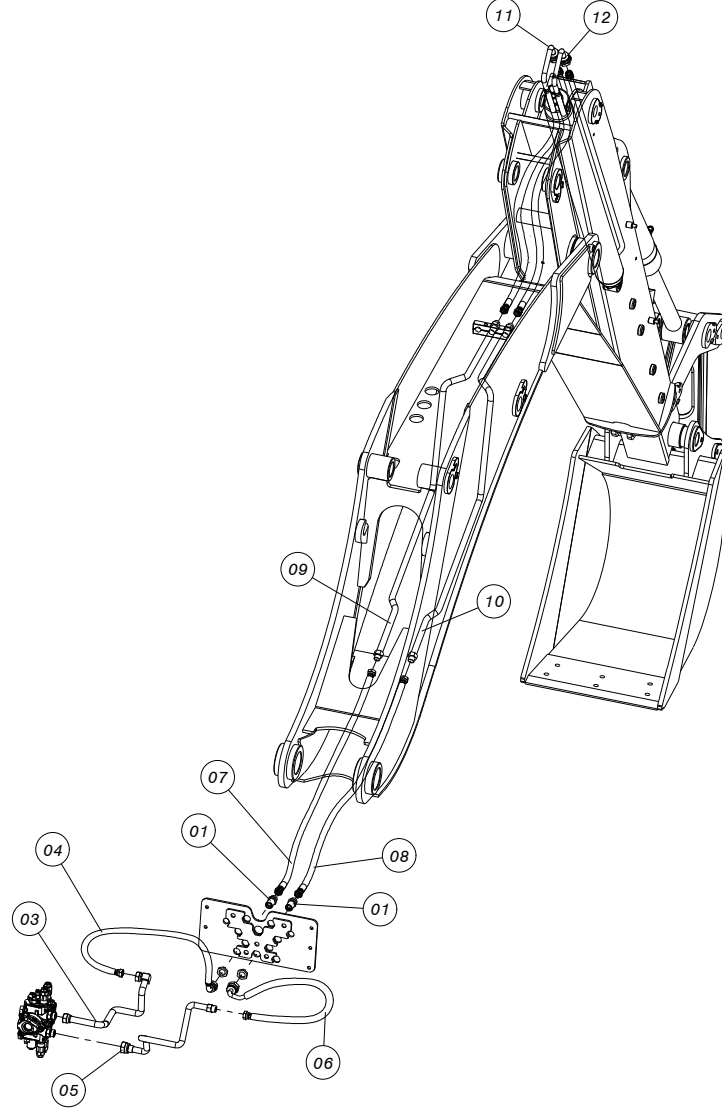
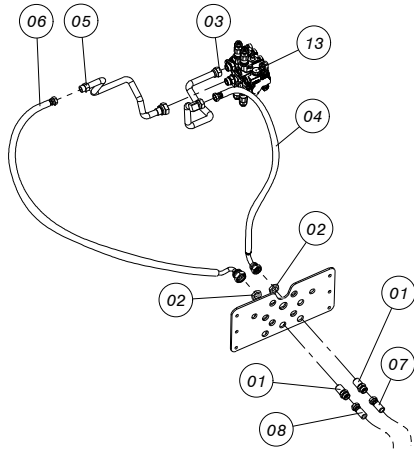
POS	YEDEK PARÇA KODU SPARE PART CODE	REFERANS KODU REFERENCE CODE	PARÇA TANIMI	DESCRIPTION	MİKTAR QTY.	NOT NOTE
1	5421416		CIVATA	BOLT	4	M8 x 30
2	5420622		SOMUN	NUT	4	M8, FİBERLİ
3	5423785		BAĞLANTI SACI	BRACKET	1	6 mm
4	5423793		PUL	WASHER	4	5/16"
5	5423429		SOMUN	NUT	4	M10 FİBERLİ
6	5427958		ÇATAL	YOKE	2	M6x6
7	5421479		SOMUN	NUT	2	M6 DÜZ
8	5427955		SAPLAMA	STUD	1	M6xM8x230
9	5421313		SOMUN	NUT	8	M8
10	5423306		MAFSAL RULMANI	JOINT, PUSH ROD	6	PHS8A
11	5423307		CIVATA	BOLT	6	M10x1.5 x 45 (UZUN)
12	5423774		MANİVELA SACI	BRACKET	2	6 mm
13	5423429		SOMUN	NUT	6	M10 FİBERLİ
14	5427956		SAPLAMA	STUD	1	M6 x M8 x 47
15	5420725		CIVATA	BOLT	2	M8 x 15
16	5423793		PUL	WASHER	2	5/16" KALIN
17	5423304		SAPLAMA	STUD	2	M8 - M8 x 230
18	5423779		ÇATAL	YOKE	2	M8 x Ø8 x 48
19	5423792		BAĞLANTI PARÇASI	BRACKET	2	PEDAL – KABİN TABANI BAĞLANTI APARATI
20	5421477		CIVATA	BOLT	4	M6 x 20
21	5423705		PİM	PIN	2	Ø12 x 60 (SEGMANLI)
22	5421201		PUL	WASHER	4	M12, DÜZ
23	5423794		SEGMAN	CIRCLIP	4	M9 D-6799
24	5423790		PEDAL	PEDAL	1	KIRICI VALF PEDALI / BREAKER VALF PEDAL
25	5427960		PEDAL LASTİĞİ	RUBBER	1	KIRICI VALF PEDALI / BREAKER VALF PEDAL
26	5423302		PİM	PIN	2	Ø8 x 22
27	5423303		SEGMAN	CIRCLIP	2	M7, AY, D-6799
28	5427950		MANİVELA MİLİ KOMPLESİ	PIN ASSY.	1	
29	5423728		BORU	TUBE	2	
30	5420603		SOMUN	NUT	1	M12, FİBERLİ
31	5420520		KELEPÇE	CLAMP	2	Ø16
32	5423776		BAĞLANTI SACI	BRACKET	1	
33	5420603		SOMUN	NUT	1	M12 FİBERLİ
34	5427957		SAPLAMA	STUD	1	M8-M8 x 140
35	5423791		PEDAL	PEDAL	1	TELESKOBİK VALF PEDALI / EXTENDING VALVE PEDAL
36	5427961		PEDAL LASTİĞİ	RUBBER	1	TELESKOBİK VALF PEDALI / EXTENDING VALVE PEDAL



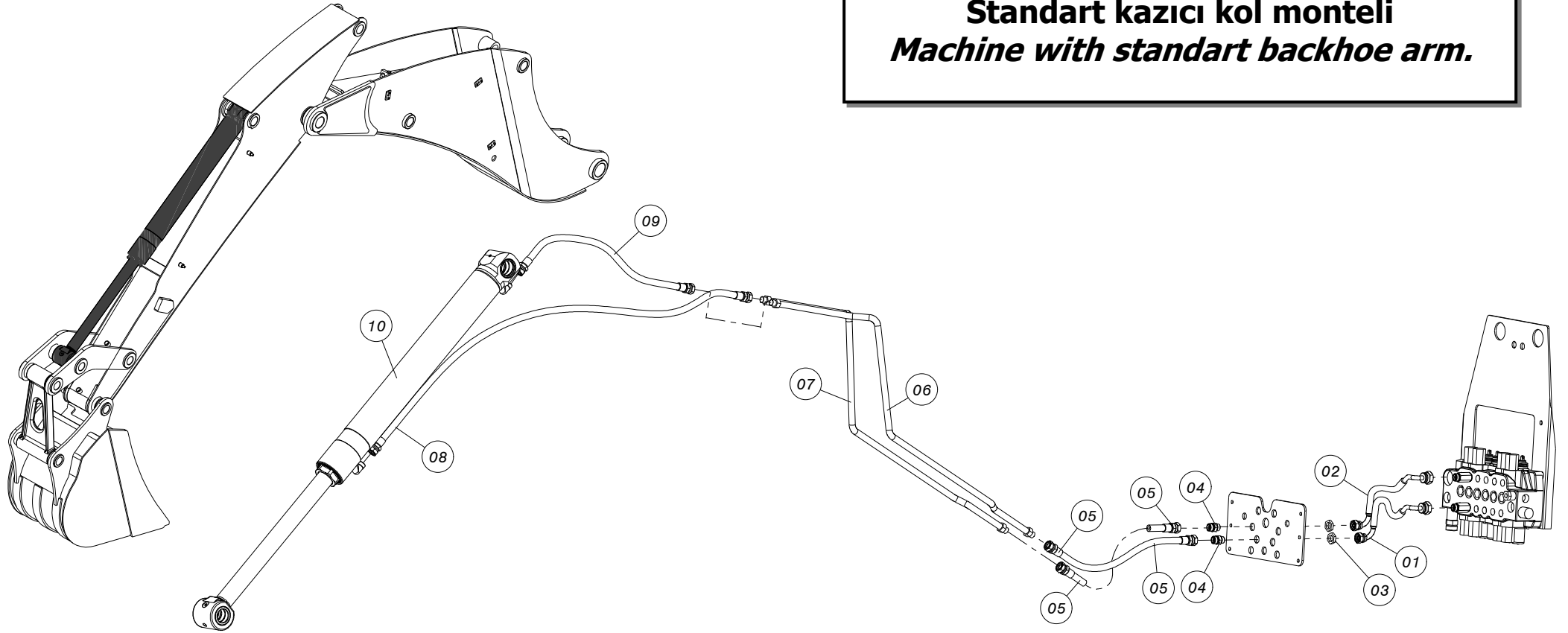


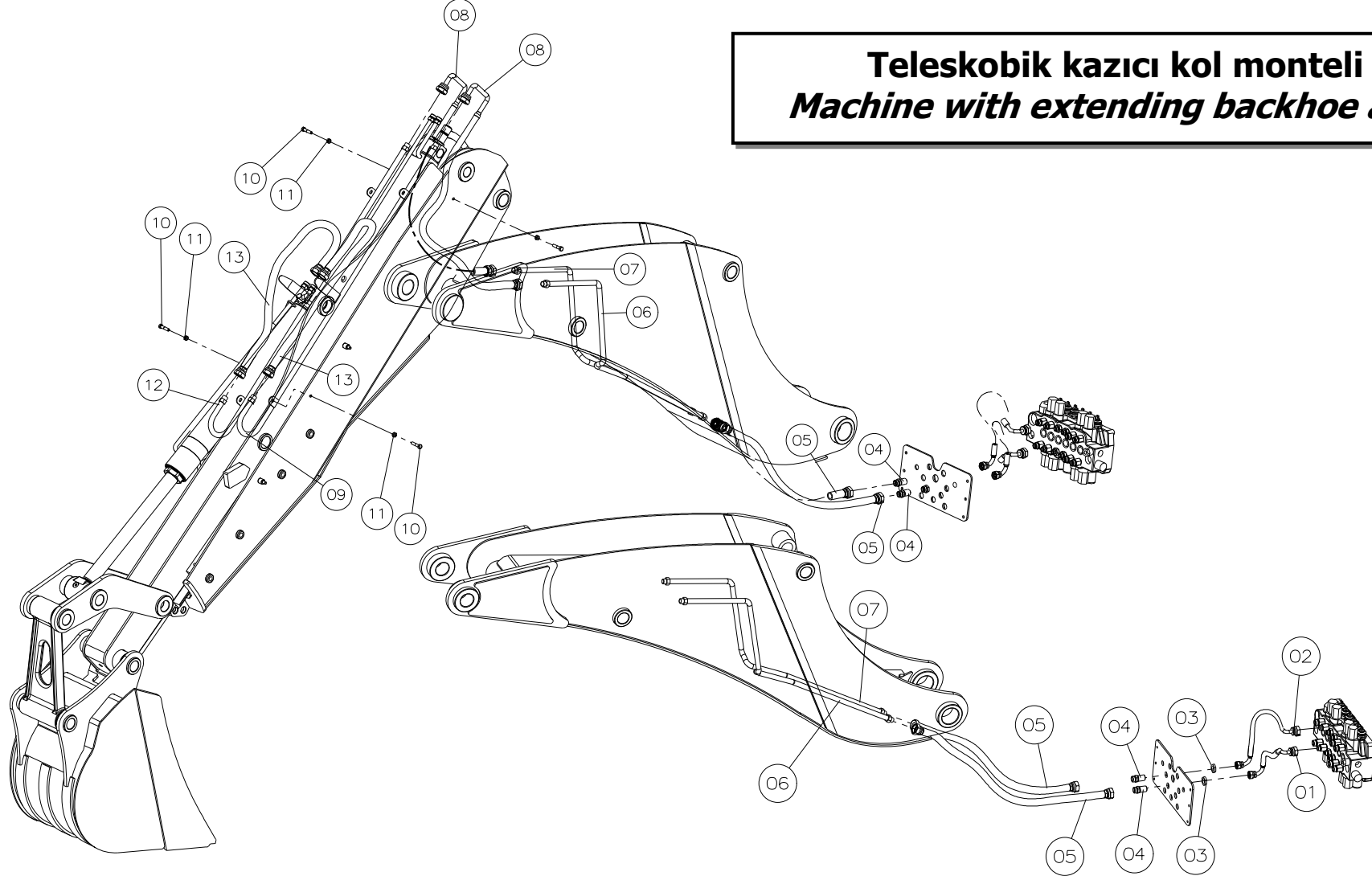


**Teleskobik kazıcı kol monteli
Machine with extending backhoe arm**



**Standart kazıcı kol monteli
Machine with standart backhoe arm.**

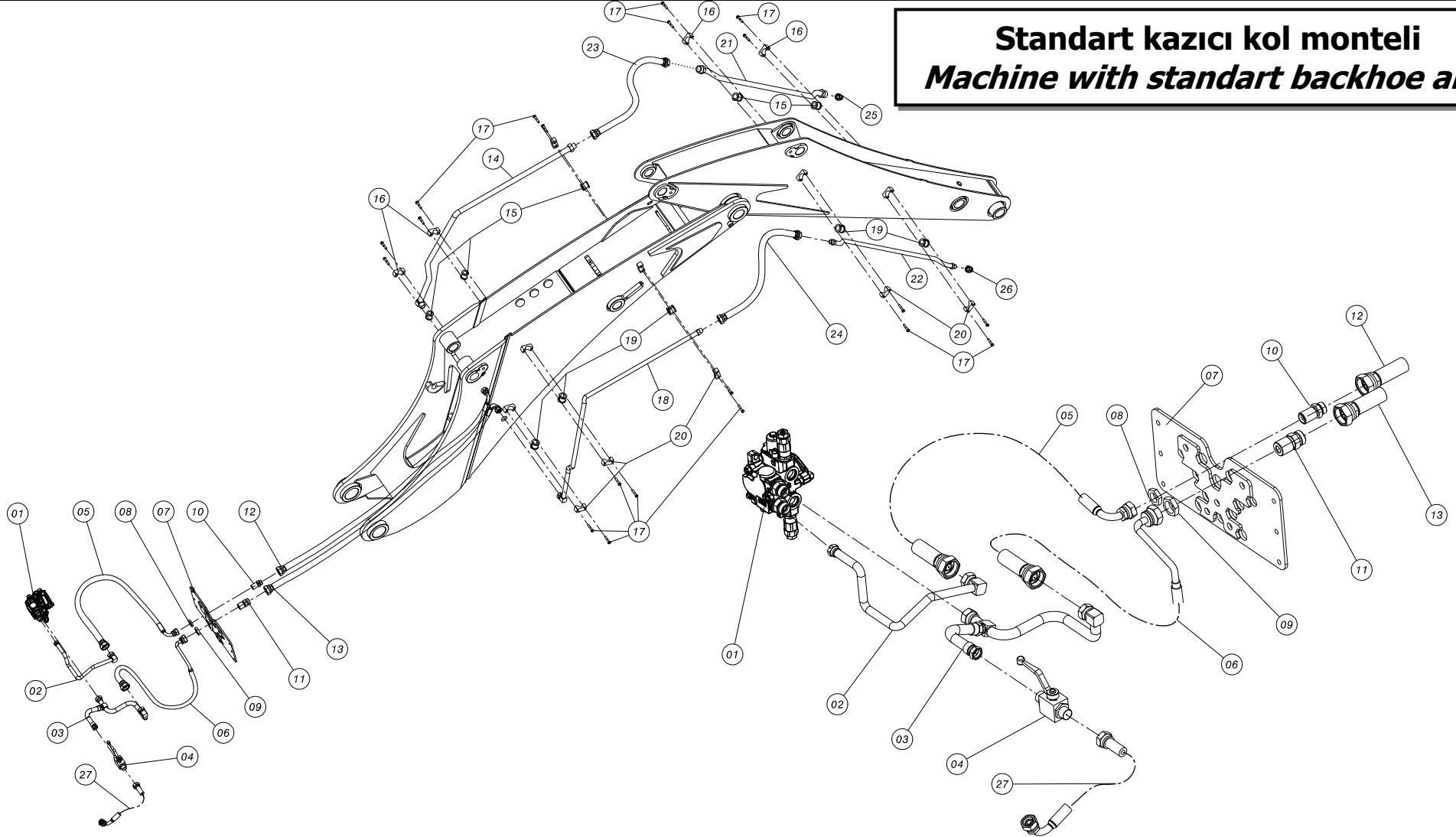




POS	YEDEK PARÇA KODU SPARE PART CODE	REFERANS KODU REFERENCE CODE	PARÇA TANIMI	DESCRIPTION	MİKTAR QTY.	NOT NOTE
1	54270105		HORTUM	HOSE	1	2SC 1/2" x 1110, M24x1.5 (40°+90°) - M24x1.5 90°
2	54270106		HORTUM	HOSE	1	2SC 1/2" x 1130, M24x1.5 (40°+90°) - M24x1.5 90°
3	5420888		SOMUN	NUT	2	M24
4	5420883		NİPEL	NIPPLE	2	M24x1.5 - M24x1.5 AA27 x 55
5	5427031		HORTUM	HORTUM	2	2SC 1/2" x 1570, M24x1.5 DÜZ - M24x1.5 DÜZ (KILIFLI)
6	5427463-D		TESİSAT BORUSU	PIPE	1	Ø16 x Ø20 (KAZICI KEPÇE SİLİNDİRİ BORU ARDI)
7	5427463-A		TESİSAT BORUSU	PIPE	1	Ø16 x Ø20 (KAZICI KEPÇE SİLİNDİRİ MİL UCU)
8	5427062		HORTUM	HOSE	2	2SC 1/2" x 1345, M24x1.5 DÜZ - M24x1.5 2BÜKÜM U (KILIFLI)
9	5427468A		TESİSAT BORUSU	PIPE	1	2 BÜKÜM + U, Ø16 x Ø20 M24 - M24
10	5421312		CIVATA	BOLT	4	M8 x 25
11	5420622		SOMUN	NUT	4	M8 FİBERLİ
12	5427468B		TESİSAT BORUSU	PIPE	1	2 BÜKÜM + U, Ø16 x Ø20 M24 - M24
13	5427021		HORTUM	HOSE	2	2SC 1/2" x 1200, M24x1.5 DÜZ - M24x1.5 DÜZ DİŞİ

**KIRICI HATTI HORTUM TESİSATI (STANDART KAZICI KOL) /
BREAKER INSTALLATION (STANDARD BACKHOE ARM)**

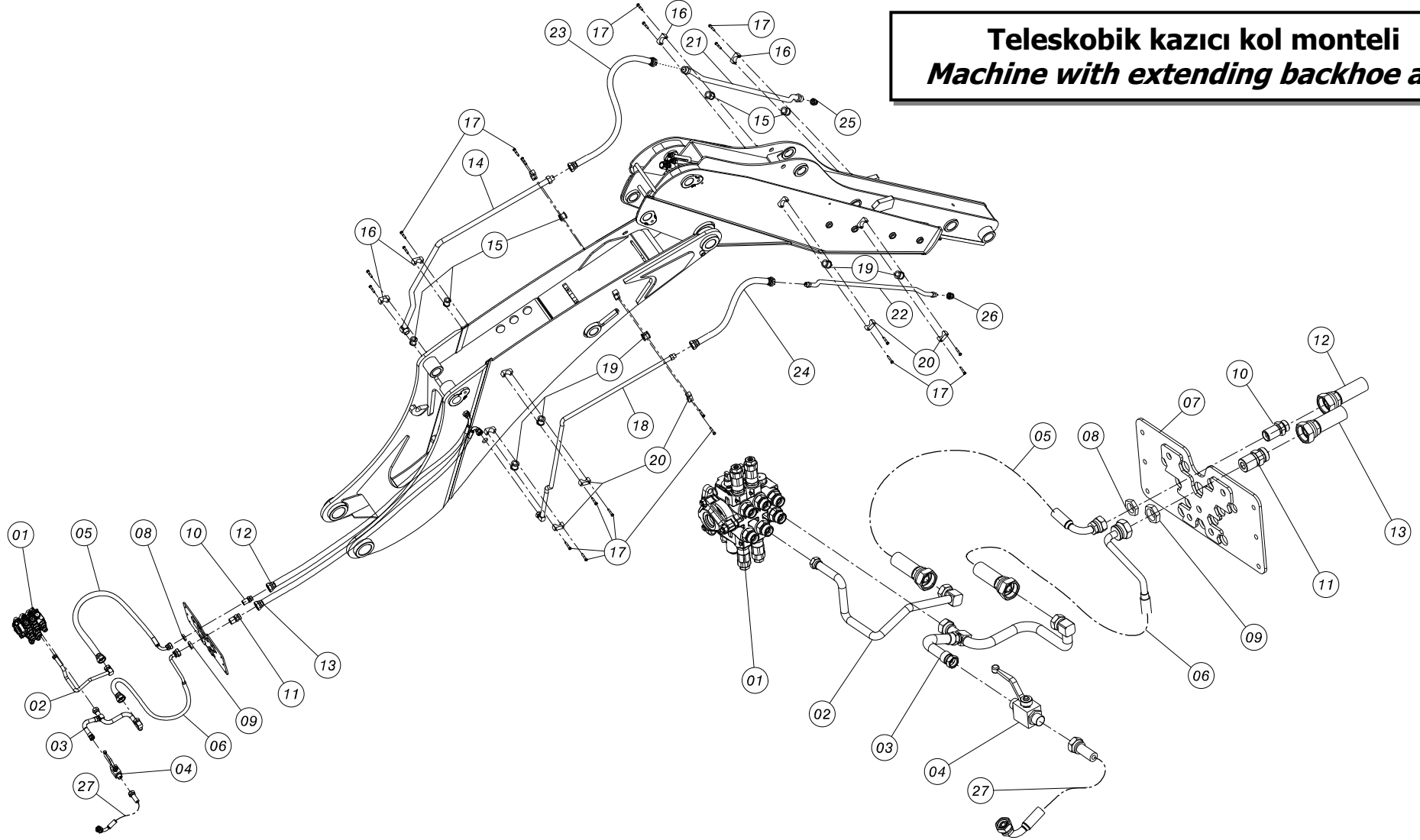
**Standart kazıcı kol monteli
Machine with standart backhoe arm**



**KIRICI HATTI HORTUM TESİSATI (STANDART KAZICI KOL) /
BREAKER INSTALLATION (STANDARD BACKHOE ARM)**

POS	YEDEK PARÇA KODU SPARE PART CODE	REFERANS KODU REFERENCE CODE	PARÇA TANIMI	DESCRIPTION	MİKTAR QTY.	NOT NOTE
1	5427901		VALF	VALVE	1	TEKLİ (KIRICI)
2	5427418		TESİSAT BORUSU	PIPE	1	4 BÜKÜM PİPO+DİŞİ M24x1.5
3	5427419		TESİSAT BORUSU	PIPE	1	Ø16x Ø12, M24DİŞİ+M24 DİŞİ+M30 PİPO
4	5427239		KÜRESEL VANA	VALVE, BALL	1	½"-M24x1.5 - M24x1.5
5	54270119		HORTUM	HOSE	1	2SC ½" x 1220, M24x1.5 DÜZ - M24x1.5 DÜZ 90° (KIRICI BASINÇ / BREAKER PRESSURE)
6	54270118		HORTUM	HOSE	1	1SC ⅝" x 1280, M30x2 DÜZ - M30x2 2 BÜKÜM (KIRICI DÖNÜŞ / BREAKER RETURN)
7	5420899		DAĞITICI SACI	PLATE	1	
8	5420888		SOMUN, KONTRA	NUT	1	M24x1.5 AA30 x 11
9	5420891		SOMUN, KONTRA	NUT	1	M30x2 AA41 x 8
10	5420883		NİPEL	NIPPLE	1	M24x1.5 - M24x1.5 AA27 x 55
11	5420884		NİPEL	NIPPLE	1	M30x2 - M30x2 AA32 x 60
12	5427073		HORTUM	HOSE	1	2SC ½" x 1830, M24x1.5 90° - M24x1.5 DÜZ, (KILIFLI) (KIRICI BASINÇ / BREAKER PRESSURE)
13	5427074		HORTUM	HOSE	1	1SC ⅝" x 1830, M30x2 DÜZ - M30x2 90° (KILIFLI) (KIRICI DÖNÜŞ / BREAKER RETURN)
14	5427464		TESİSAT BORUSU	PIPE	1	M24 ERKEK - M24 PİPO Ø16 x Ø20 (KIRICI BASINÇ / BREAKER PRESSURE)
15	5427965		LASTİK TAKOZ	RUBBER	5	Ø20
16	5427962		KELEPÇE	CLAMP	5	Ø20 mm (METAL)
17		053840	CIVATA	BOLT	20	M8 x 40
18	5427465		TESİSAT BORUSU	PIPE	1	M30 ERKEK - M30 PİPO Ø20 x Ø25 (KIRICI DÖNÜŞ / BREAKER RETURN)
19	5427964		LASTİK TAKOZ	RUBBER	5	Ø25
20	5427963		KELEPÇE	CLAMP	5	Ø25 mm (METAL)
21	54274166		TESİSAT BORUSU	PIPE	1	4 BÜKÜM M24 - M24 Ø16 x Ø20 (KIRICI BASINÇ / BREAKER PRESSURE)
22	54274167		TESİSAT BORUSU	PIPE	1	4 BÜKÜM M36 - M36 Ø20 x Ø25 (KIRICI DÖNÜŞ / BREAKER RETURN)
23	5427071		HORTUM	HOSE	1	2SC ½" x 950, M24x1.5 DÜZ - M24x1.5 DÜZ (KIRICI BASINÇ / BREAKER PRESSURE)
24	5427072		HORTUM	HOSE	1	1SC ¾" x 950, M36x2 DÜZ - M36x2 DÜZ (KIRICI DÖNÜŞ / BREAKER RETURN)
25	5427217		TAPA, KÖR	PLUG	1	M24x1.5
26	5427218		TAPA, KÖR	PLUG	1	M36x2
27	54270122		HORTUM	HOSE	1	1SC ½" x 1800, M24x1.5 DÜZ - M24x1.5 90° (KÜRESEL VANA - YAĞ GERİ DÖNÜŞ BANJO ARASI)

**Teleskobik kazıcı kol monteli
Machine with extending backhoe arm**



**KIRICI HATTI HORTUM TESİSATI (TELESKOPİK KAZICI KOL) /
BREAKER INSTALLATION (EXTENDING DIPPER)**

POS	YEDEK PARÇA KODU SPARE PART CODE	REFERANS KODU REFERENCE CODE	PARÇA TANIMI	DESCRIPTION	MİKTAR QTY.	NOT NOTE
1	5427902		VALF	VALVE	1	ÇİFTLİ (KIRICI + TELESKOP)
2	5427418		TESİSAT BORUSU	PIPE	1	4 BÜKÜM PİPO+DİŞİ M24x1.5
3	5427419		TESİSAT BORUSU	PIPE	1	Ø12 x Ø16, M24DİŞİ+M24 DİŞİ+M30 PİPO
4	5427239		KÜRESEL VANA	VALVE, BALL	1	½" - M24x1.5 - M24x1.5
5	54270119		HORTUM	HOSE	1	2SC ½" x 1220, M24x1.5 DÜZ - M24x1.5 90° (KIRICI BASINÇ / BREAKER PRESSURE)
6	54270118		HORTUM	HOSE	1	1SC ⅝" x 1280, M30x2 DÜZ - M30x2 2 BÜKÜM (KIRICI DÖNÜŞ / BREAKER RETURN)
7	5420899		DAĞITICI SACI	PLATE	1	
8	5420888		SOMUN, KONTRA	NUT	1	M24x1.5 AA30 x 11
9	5420891		SOMUN, KONTRA	NUT	1	M30x2 AA41 x 8
10	5420883		NİPEL	NIPPLE	1	M24x1.5-M24x1.5 AA27 x 55
11	5420884		NİPEL	NIPPLE	1	M30x2-M30x2 AA32 x 60
12	5427073		HORTUM	HOSE	1	2SC ½" x 1830, M24x1.5 90° - M24x1.5 DÜZ, KILIFLI (KIRICI BASINÇ / BREAKER PRESSURE)
13	5427074		HORTUM	HOSE	1	1SC ⅝" x 1830, M30x2 DÜZ - M30x2 90°, KILIFLI (KIRICI DÖNÜŞ / BREAKER RETURN)
14	5427464		TESİSAT BORUSU	PIPE	1	M24 ERKEK - M24 PİPO Ø16 x Ø20 (KIRICI BASINÇ / BREAKER PRESSURE)
15	5427965		LASTİK TAKOZ	RUBBER	5	Ø20
16	5427962		KELEPÇE	CLAMP	5	Ø20 mm (METAL)
17		053840	CIVATA	BOLT	20	M8 x 40
18	5427465		TESİSAT BORUSU	PIPE	1	M30 ERKEK - M30 PİPO Ø20 x Ø25 (KIRICI DÖNÜŞ / BREAKER RETURN)
19	5427964		LASTİK TAKOZ	RUBBER	5	Ø25
20	5427963		KELEPÇE	CLAMP	5	Ø25 mm (METAL)
21	54274166		TESİSAT BORUSU	PIPE	1	4 BÜKÜM M24 - M24 Ø16 x Ø20 (KIRICI BASINÇ / BREAKER PRESSURE)
22	54274167		TESİSAT BORUSU	PIPE	1	4 BÜKÜM M36 - M36 Ø20 x Ø25 (KIRICI DÖNÜŞ / BREAKER RETURN)
23	5427071		HORTUM	HOSE	1	2SC ½" x 950, M24x1.5, DÜZ - M24x1.5 DÜZ (KIRICI BASINÇ / BREAKER PRESSURE)
24	5427072		HORTUM	HOSE	1	1SC ¾" x 950, M36x2 DÜZ - M36x2 DÜZ (KIRICI DÖNÜŞ / BREAKER RETURN)
25	5427217		TAPA, KÖR	PLUG	1	M24x1.5
26	5427218		TAPA, KÖR	PLUG	1	M36x2
27	54270122		HORTUM	HOSE	1	1SC ½" x 1800, M24x1.5 DÜZ - M24x1.5 90° (KÜRESEL VANA - YAĞ GERİ DÖNÜŞ BANJO ARASI)

**DENGE AYAđI SİLİNDİRİ HORTUM TESİSATI /
STABILIZER RAM INSTALLATION**

